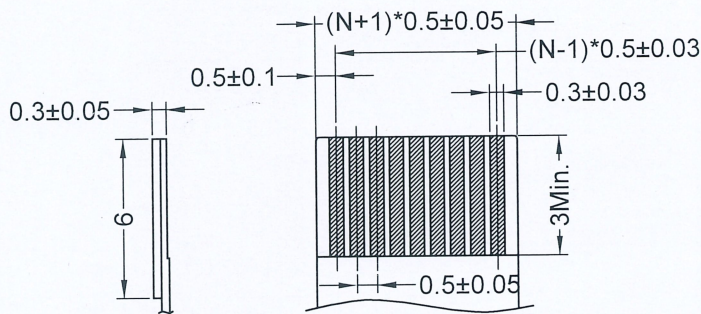
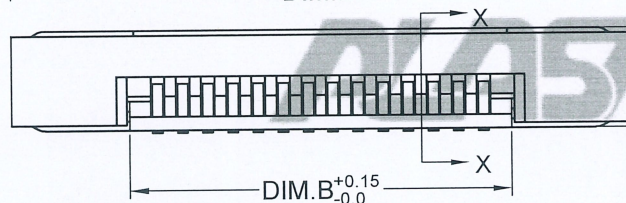
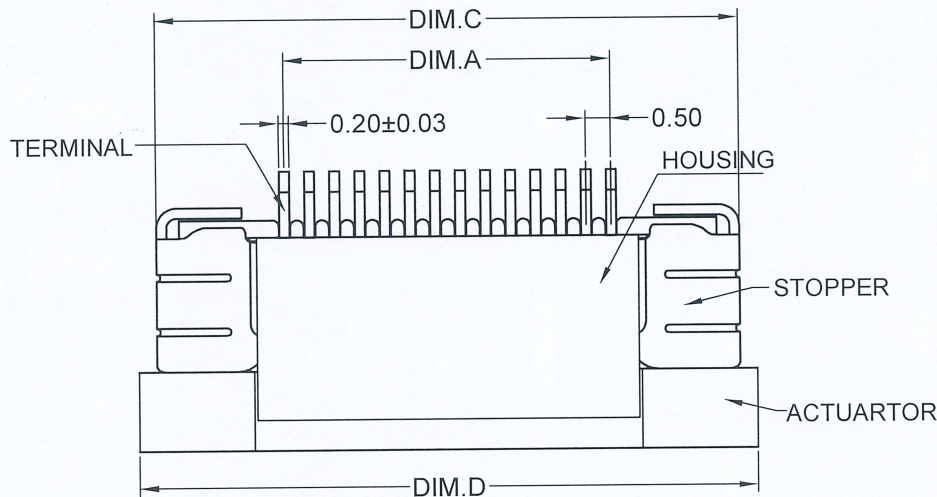
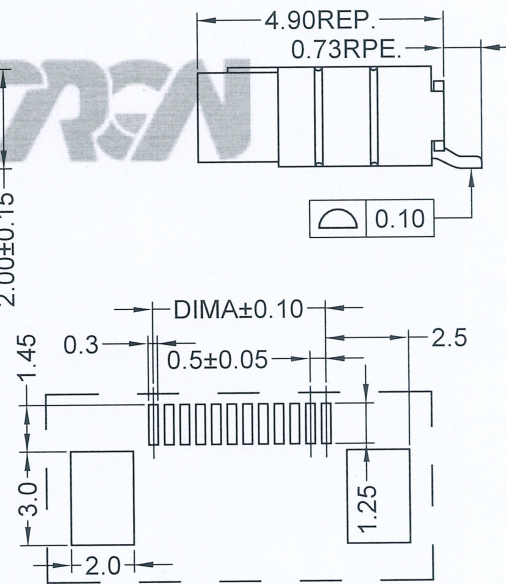


PIN	DIM. A	DIM. B	DIM. C	DIM. D
04	1.5	2.6	6.6	7.3
05	2.0	3.1	7.1	7.8
06	2.5	3.6	7.6	8.3
07	3.0	4.1	8.1	8.8
08	3.5	4.6	8.6	9.3
09	4.0	5.1	9.1	9.8
10	4.5	5.6	9.6	10.3
11	5.0	6.1	10.1	10.8
12	5.5	6.6	10.6	11.3
13	6.0	7.1	11.1	11.8
14	6.5	7.6	11.6	12.3
15	7.0	8.1	12.1	12.8
16	7.5	8.6	12.6	13.3
17	8.0	9.1	13.1	13.8
18	8.5	9.6	13.6	14.3
19	9.0	10.1	14.1	14.8
20	9.5	10.6	14.6	15.3
21	10.0	11.1	15.1	15.8
22	10.5	11.6	15.6	16.3
23	11.0	12.1	16.1	16.8
24	11.5	12.6	16.6	17.3
25	12.0	13.1	17.1	17.8
26	12.5	13.6	17.6	18.3
27	13.0	14.1	18.1	18.8
28	13.5	14.6	18.6	19.3
29	14.0	15.1	19.1	19.8
30	14.5	15.6	19.6	20.3
31	15.0	16.1	20.1	20.8
32	15.5	16.6	20.6	21.3
33	16.0	17.1	21.1	21.8
34	16.5	17.6	21.6	22.3
35	17.0	18.1	22.1	22.8
36	17.5	18.6	22.6	23.3
37	18.0	19.1	23.1	23.8
38	18.5	19.6	23.6	24.3
39	19.0	20.1	24.1	24.8
40	19.5	20.6	24.6	25.3
41	20.0	21.1	25.1	25.8
42	20.5	21.6	25.6	26.3
43	21.0	22.1	26.1	26.8
44	21.5	22.6	26.6	27.3
45	22.0	23.1	27.1	27.8
46	22.5	23.6	27.6	28.3
47	23.0	24.1	28.1	28.8
48	23.5	24.6	28.6	29.3
49	24.0	25.1	29.1	29.8
50	24.5	25.6	29.6	30.3
51	25.0	26.1	30.1	30.8
52	25.5	26.6	30.6	31.3
53	26.0	27.1	31.1	31.8
54	26.5	27.6	31.6	32.3
55	27.0	28.1	32.1	32.8
56	27.5	28.6	32.6	33.3
57	28.0	29.1	33.1	33.8
58	28.5	29.6	33.6	34.3
59	29.0	30.1	34.1	34.8
60	29.5	30.6	34.6	35.3

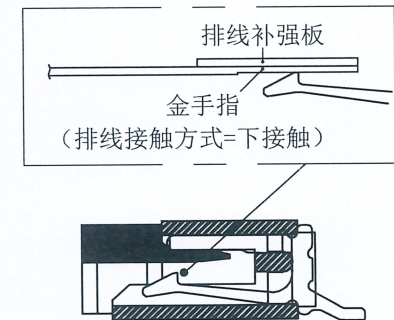


Applicable FPC



PCB LAYOUT

版次	ECN 编码	描述		设计/日期
1	EL24080032	初版发行		张文浩_2020/12/19
2	EL24110024	改前	改后	張宗州_2024/11/08
		增加電鍍規格		



X-X

NOTES: (Unless otherwise specified)  
1.Dimension shall be interpreted per ANSI Y14.5M.

2.Materials:  
Hosing: Thermoplastic(UL 94V-0)  
Actuator: Thermoplastic(UL 94V-0)  
Terminal: Phosphor Bronze.  
Stopper: Brass.

3.Harmful material should be compliant to doc. "EI-0005" standards.

4.Product number matrix:

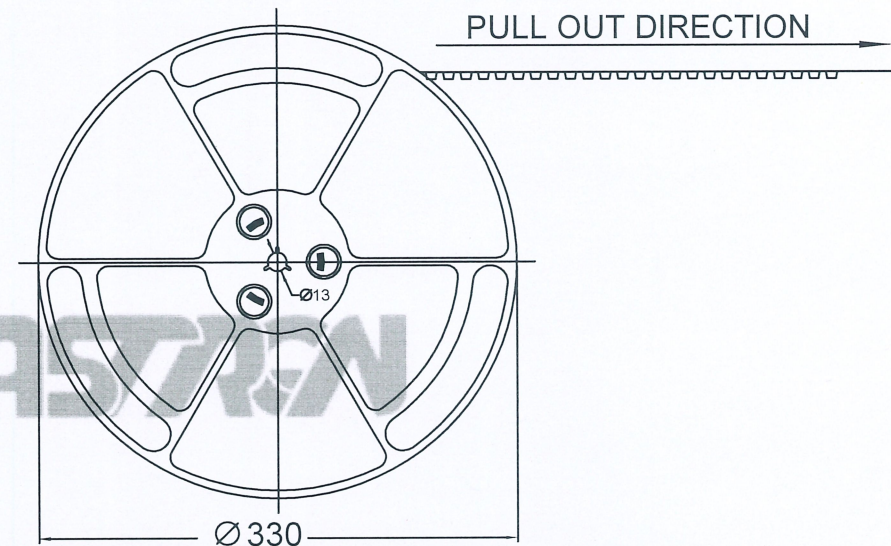
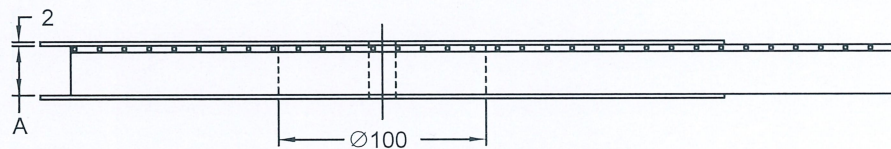
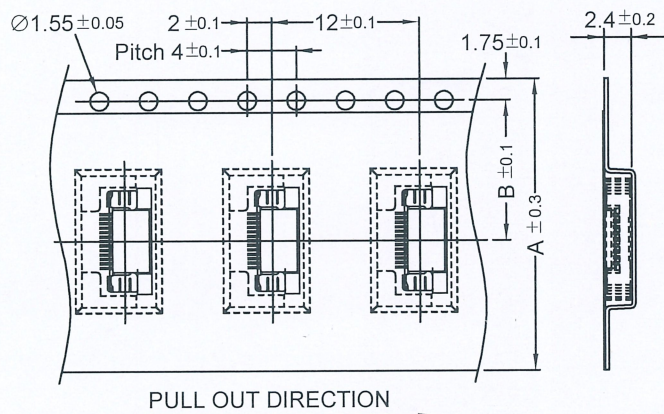
FBEC XX CX XX K  
Number of Contacts      K:Reel

AA:  
Surface area:Plating Sn 80u"~200u".  
The bottom layer:Plating Ni 50u"~120u".  
BA:  
Surface area:Plating Gold Flsah 0.8u"~1u".  
The bottom layer:Plating Ni 50u"~120u".

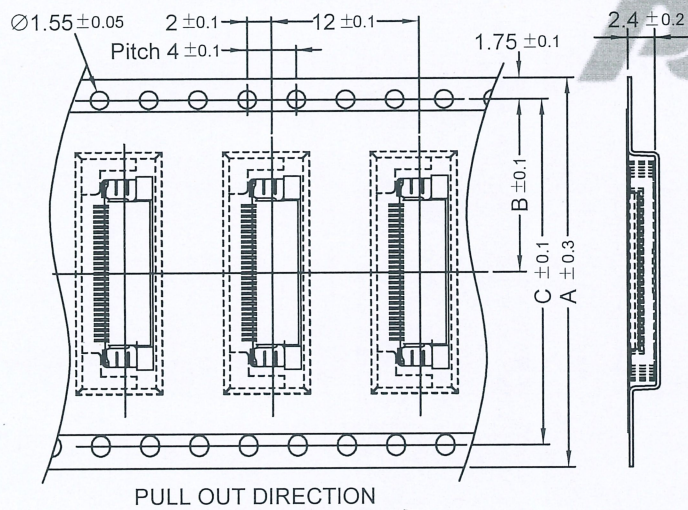


TOLERANCE TABLE		SCALE	DRAWN	DATE	DWG. NO.	TITLE	REV.
.X ± 0.15	.X° ± 1°	10:1	張宗州	2024/11/08	600-0000-2544	CUSTOMER DRAWING	2
.XX ± 0.05	.X° ± 1°	UNIT mm	CHECK 张宗州	2024/11/08	PARTS NO.(INTENDED USE)		SHEET
.XXX ± 0.01		SIZE A4	APPROVE 张宗州	2024/11/08	FBECXXCXXXK		1/3

Tape width 24 mm



Tape width 32 and 44 mm



Note:

1. 10 sprocket hole pitch cumulative tolerance 0.2mm.
2. Carrier camber is within 1 mm in 100mm.
3. Material : Black Conductive Polystyrene Alloy.
4. All dimensions meet EIA-481-B requirements.
5. Thickness :  $0.3 \pm 0.05$ mm.
6. Component load per 13" reel : 2000 pcs.
7. For tape width (dimension A) 24mm a pilot hole is provided on one side.  
For tape width (dimension A) 32mm and 44mm pilot holes are provided on both sides.

CIRCUIT NO.	DIM A	DIM B	DIM C
04~20	24	11.5	
21~38	32	14.2	28.4
39~60	44	20.2	40.4



TOLERANCE TABLE

X. $\pm$ 0.30	X. $^{\circ}$ $\pm$ 3 $^{\circ}$
.X $\pm$ 0.25	.X $^{\circ}$ $\pm$ 3 $^{\circ}$
.XX $\pm$ 0.15	

SCALE 10:1

UNIT mm

SIZE A4



DRAWN

張宗州

DATE

2024/11/08

CHECK

Handwritten signature

DATE

2024/11/08

APPROVE

Handwritten signature

DATE

2024/11/08

DWG. NO.

600-0000-2544

PARTS NO.(INTENDED USE)

FBECCXXCXXXK

TITLE

CUSTOMER DRAWING

REV.

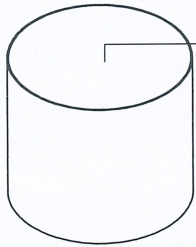
2

SHEET

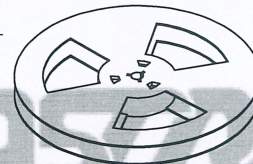
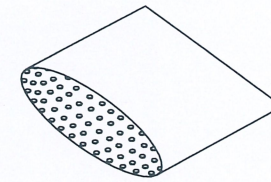
2/3

CIRCUIT NO.	外箱	塑膠袋	气泡袋	REEL盘数	总数量
04~20	1	1	09	09	18,000
21~38	1	1	08	08	16,000
39~60	1	1	07	07	14,000

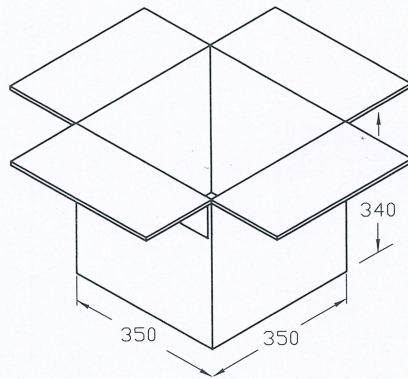
塑膠袋  
PLASTIC BAG



氣泡袋  
BUBBLE BAG



TAPE & REEL



外箱  
CARTON



TOLERANCE TABLE	
.X ± 0.1	X.° ± 1°
.XX ± 0.05	.X.° ± 1°
.XXX ± 0.01	

SCALE	1:1
UNIT	mm
SIZE	A4



DRAWN	張宗州	DATE	2024/11/08
CHECK	何志明	DATE	2024/11/08
APPROVE	朱宇輝	DATE	2024/11/08

DWG. NO.	600-0000-2544
PARTS NO.(INTENDED USE)	FBECXXCXXXK

TITLE	CUSTOMER DRAWING
-------	------------------

REV.	2
SHEET	3/3