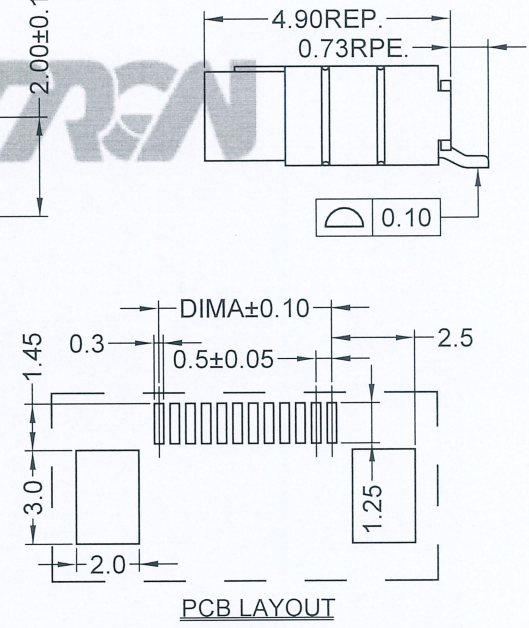
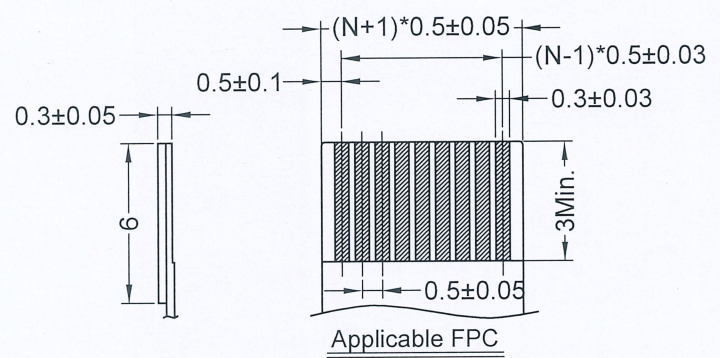
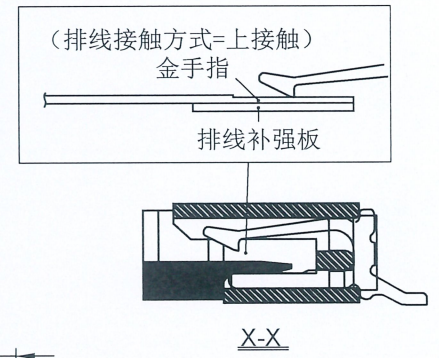
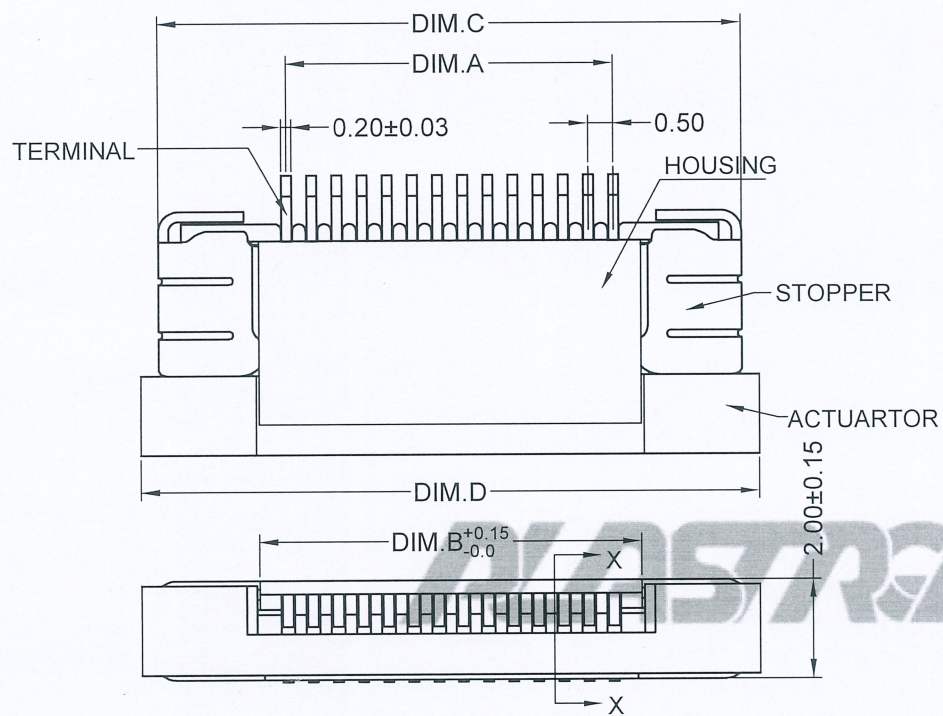


PIN	DIM. A	DIM. B	DIM. C	DIM. D
04	1.5	2.6	6.6	7.3
05	2.0	3.1	7.1	7.8
06	2.5	3.6	7.6	8.3
07	3.0	4.1	8.1	8.8
08	3.5	4.6	8.6	9.3
09	4.0	5.1	9.1	9.8
10	4.5	5.6	9.6	10.3
11	5.0	6.1	10.1	10.8
12	5.5	6.6	10.6	11.3
13	6.0	7.1	11.1	11.8
14	6.5	7.6	11.6	12.3
15	7.0	8.1	12.1	12.8
16	7.5	8.6	12.6	13.3
17	8.0	9.1	13.1	13.8
18	8.5	9.6	13.6	14.3
19	9.0	10.1	14.1	14.8
20	9.5	10.6	14.6	15.3
21	10.0	11.1	15.1	15.8
22	10.5	11.6	15.6	16.3
23	11.0	12.1	16.1	16.8
24	11.5	12.6	16.6	17.3
25	12.0	13.1	17.1	17.8
26	12.5	13.6	17.6	18.3
27	13.0	14.1	18.1	18.8
28	13.5	14.6	18.6	19.3
29	14.0	15.1	19.1	19.8
30	14.5	15.6	19.6	20.3
31	15.0	16.1	20.1	20.8
32	15.5	16.6	20.6	21.3
33	16.0	17.1	21.1	21.8
34	16.5	17.6	21.6	22.3
35	17.0	18.1	22.1	22.8
36	17.5	18.6	22.6	23.3
37	18.0	19.1	23.1	23.8
38	18.5	19.6	23.6	24.3
39	19.0	20.1	24.1	24.8
40	19.5	20.6	24.6	25.3
41	20.0	21.1	25.1	25.8
42	20.5	21.6	25.6	26.3
43	21.0	22.1	26.1	26.8
44	21.5	22.6	26.6	27.3
45	22.0	23.1	27.1	27.8
46	22.5	23.6	27.6	28.3
47	23.0	24.1	28.1	28.8
48	23.5	24.6	28.6	29.3
49	24.0	25.1	29.1	29.8
50	24.5	25.6	29.6	30.3
51	25.0	26.1	30.1	30.8
52	25.5	26.6	30.6	31.3
53	26.0	27.1	31.1	31.8
54	26.5	27.6	31.6	32.3
55	27.0	28.1	32.1	32.8
56	27.5	28.6	32.6	33.3
57	28.0	29.1	33.1	33.8
58	28.5	29.6	33.6	34.3
59	29.0	30.1	34.1	34.8
60	29.5	30.6	34.6	35.3

版次	ECN 编码	描述		设计/日期
1	EL24080031	初版发行		张文浩_2020/12/19
2	EL24110025	改前	改后	張宗州_2024/11/08
		增加電鍍規格		



NOTES: (Unless otherwise specified)

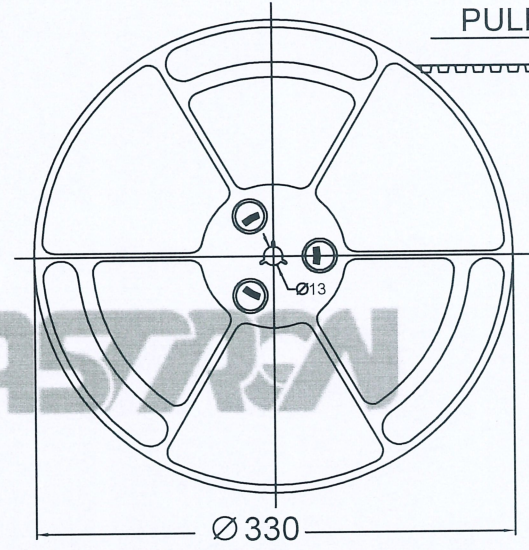
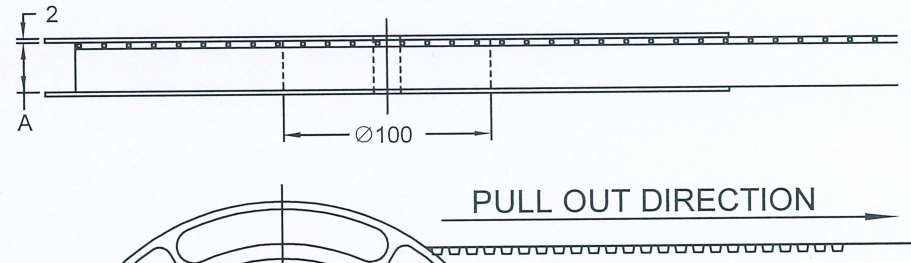
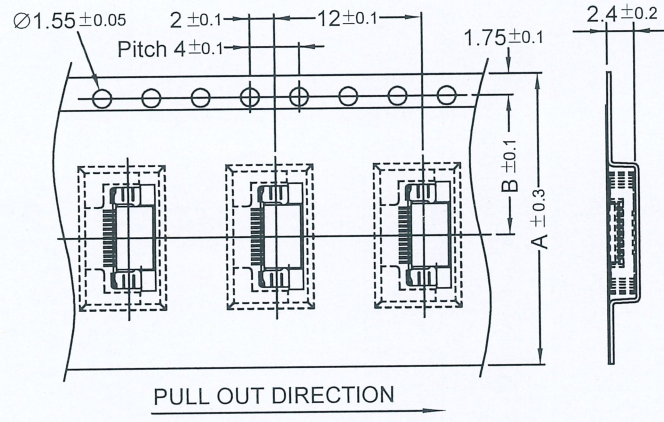
- Dimension shall be interpreted per ANSI Y14.5M.
- Materials:
 - Hosing: Thermoplastic(UL 94V-0)
 - Actuator: Thermoplastic(UL 94V-0)
 - Terminal: Phosphor Bronze.
 - Stopper: Brass.
- Harmful material should be compliant to doc. "EI-0005" standards.
- Product number matrix:

FBEC	XX	UX	XX	K
Number of Contacts				K:Reel

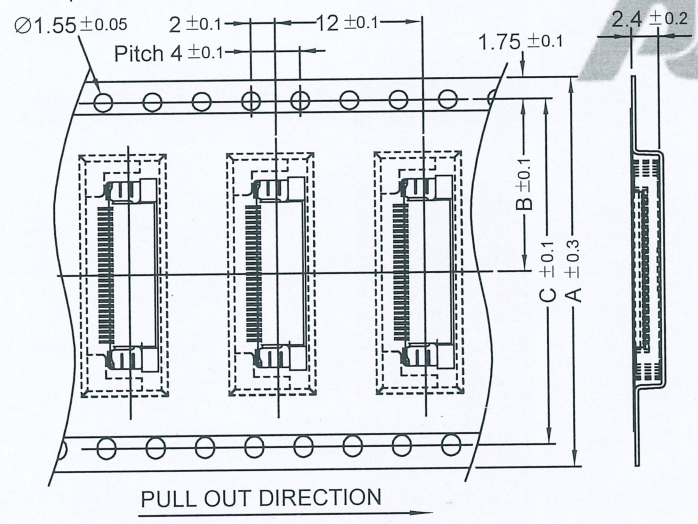
AA: Surface area:Plating Sn 80u"~200u".
The bottom layer:Plating Ni 50u"~120u".
BA: Surface area:Plating Gold flash.0.8u"~1u".
The bottom layer:Plating Ni 50u"~120u".

	TOLERANCE TABLE		SCALE 10:1	DRAWN 張宗州	DATE 2024/11/08	DWG. NO. 600-0000-2549	TITLE	REV. 2
	.X ± 0.15	X.° ± 1°	UNIT mm	CHECK 何志斌	DATE 2024/11/08	PARTS NO.(INTENDED USE) FBECXXUXXXK	CUSTOMER DRAWING	SHEET 1/3
	.XX ± 0.05	.X° ± 1°	SIZE A4	APPROVE 张宗州	DATE 2024/11/08			
	.XXX ± 0.01							

Tape width 24 mm



Tape width 32 and 44 mm



- Note:
1. 10 sprocket hole pitch cumulative tolerance 0.2mm.
 2. Carrier camber is within 1 mm in 100mm.
 3. Material : Black Conductive Polystyrene Alloy.
 4. All dimensions meet EIA-481-B requirements.
 5. Thickness : 0.3 ± 0.05 mm.
 6. Component load per 13" reel : 2000 pcs.
 7. For tape width (dimension A) 24mm a pilot hole is provided on one side.
For tape width (dimension A) 32mm and 44mm pilot holes are provided on both sides.

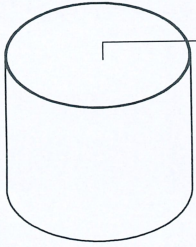
CIRCUIT NO.	DIM A	DIM B	DIM C
04~20	24	11.5	
21~38	32	14.2	28.4
39~60	44	20.2	40.4



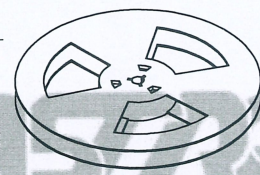
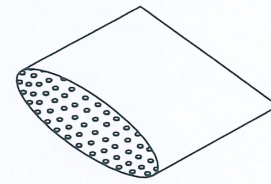
TOLERANCE TABLE	SCALE	10:1	DRAWN	張宗州	DATE	2024/11/08	DWG. NO. 600-0000-2549	TITLE CUSTOMER DRAWING	REV.	2
	X. \pm 0.30	X. $^{\circ}$ \pm 3 $^{\circ}$	UNIT	mm	CHECK	何志明			DATE	2024/11/08
	.X \pm 0.25	.X $^{\circ}$ \pm 3 $^{\circ}$	SIZE	A4	APPROVE	朱宇軒	DATE	2024/11/08		
	.XX \pm 0.15							PARTS NO.(INTENDED USE) FBECXXUXXXK		

CIRCUIT NO.	外箱	塑膠袋	气泡袋	REEL盘数	总数量
04~20	1	1	09	09	18,000
21~38	1	1	08	08	16,000
39~60	1	1	07	07	14,000

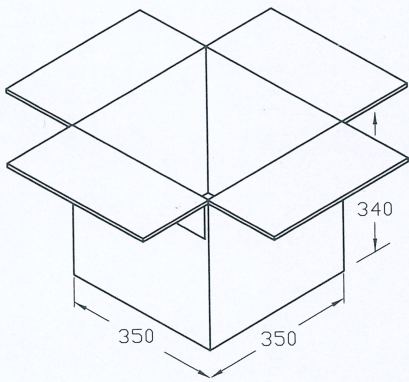
塑膠袋
PLASTIC BAG



氣泡袋
BUBBLE BAG



TAPE & REEL



外箱
CARTON



TOLERANCE TABLE	SCALE 1:1		DRAWN	張宗州	DATE	2024/11/08	DWG. NO. 600-0000-2549	TITLE CUSTOMER DRAWING	REV. 2
	.X ± 0.1	X.° ± 1°	UNIT	mm	CHECK	何志明			DATE
	.XX ± 0.05	.X° ± 1°	SIZE A4	APPROVE	朱宗輝	DATE	2024/11/08	PARTS NO. (INTENDED USE) FBECXXUXXXK	
	.XXX ± 0.01								