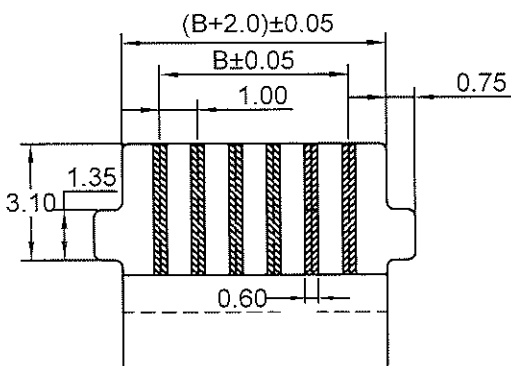
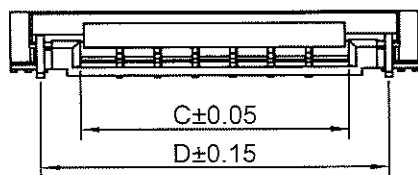
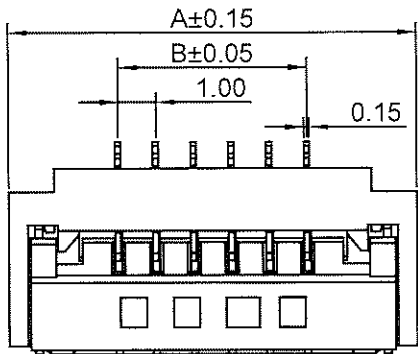
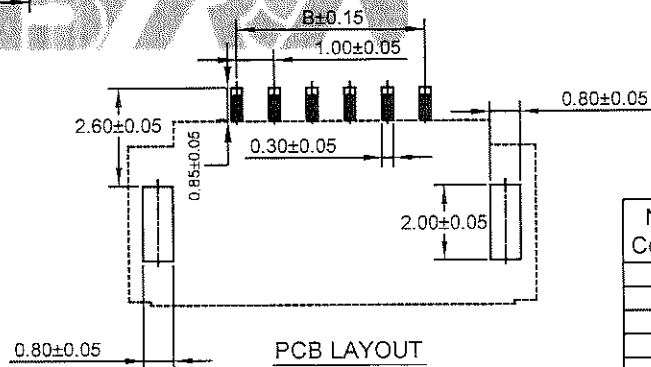
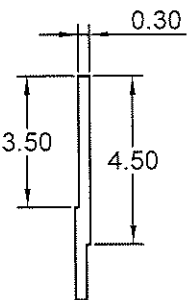
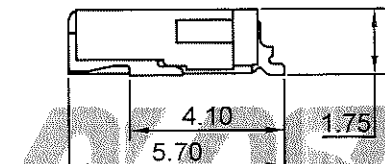
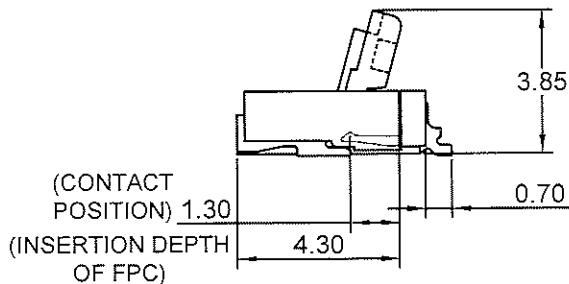


1.0 PITCH 1.75H FPC CONN.



RECOMMENDED FPC DIMENSION



版次	ECN 编码	描述		设计/日期
1	EL24080062	初版发行		张文浩_2012/05/10
		改前	改后	

- NOTES: (Unless otherwise specified)
- Dimension shall be interpreted per ANSI Y14.5M.
 - Materials:
Housing:LCP UL 94V-0
Actuator:LCP UL 94V-0
Contacts:Copper Alloy
Peg:Copper Alloy
 - Current Rating: 0.5 A AC/DC.
 - Voltage Rating: 50V AC/DC.
 - Working Temperature: -25°C ~ +85°C.
 - Harmful material should be compliant to doc. "EI-0005" standards.
 - Product number matrix:

FDDA XX CX BA K
Number of Contacts Reel

Plating Code:
BA:Surface area:Plating Gold flash.
The bottom layer:Plating Ni 50u" ~ 120u".
AA:Surface area:Plating Sn 80u" ~ 200u".
The bottom layer:Plating Ni 50u" ~ 120u".

No. of Contacts	DIM.				
	A	B	C	D	F
04	08.80	3.00	5.10	7.22	6.42
06	10.80	5.00	7.10	9.22	8.42
08	12.80	7.00	9.10	11.22	10.42
10	14.80	9.00	11.10	13.22	12.42
12	16.80	11.00	13.10	15.22	14.42
20	24.80	19.00	21.10	23.22	16.42
24	28.80	23.00	25.10	27.22	18.42
26	30.80	25.00	27.10	29.22	20.42
28	32.80	27.00	29.10	31.22	22.42
30	34.80	29.00	31.10	33.22	24.42
32	36.80	31.00	33.10	35.22	26.42



TOLERANCE TABLE	
X.X ± 0.25	X.° ± 3°
X.XX ± 0.20	.X° ± 3°
X.XXX ± 0.10	

SCALE	5:1
UNIT	mm
SIZE	A4

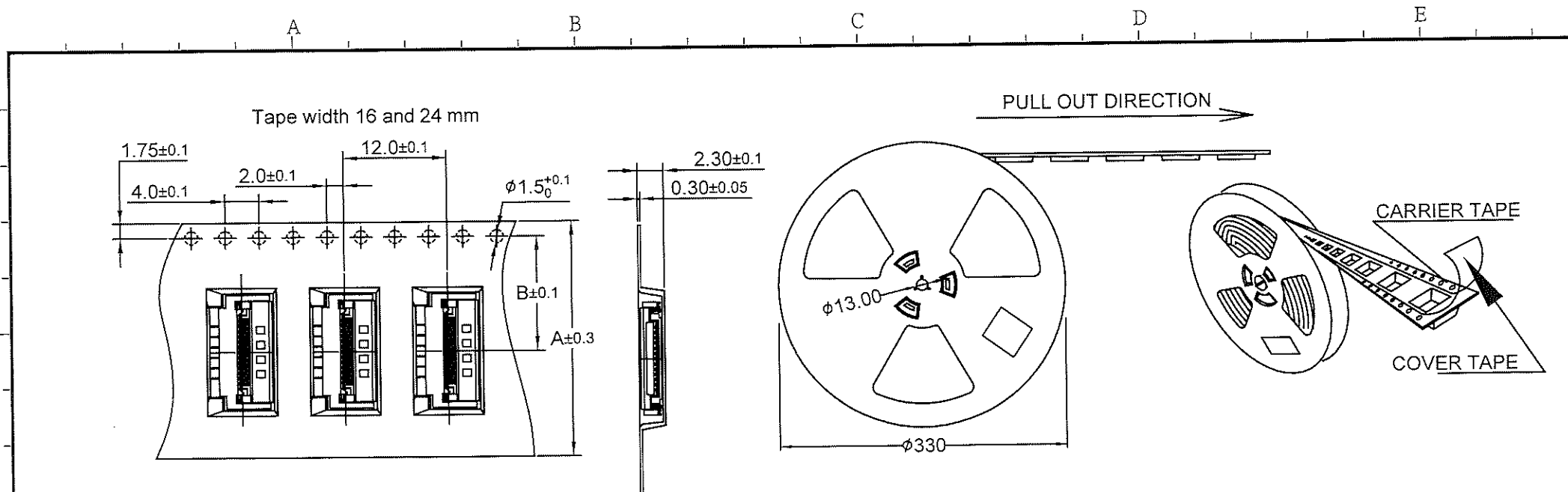
DRAWN	张文浩
CHECK	120210
APPROVE	朱文祥

DATE	2012/05/10
DATE	2012/05/11
DATE	2012/05/11

DWG. NO.	600-0000-2551
PARTS NO.(INTENDED USE)	FDDAXXCXBAK

TITLE	CUSTOMER DRAWING
-------	------------------

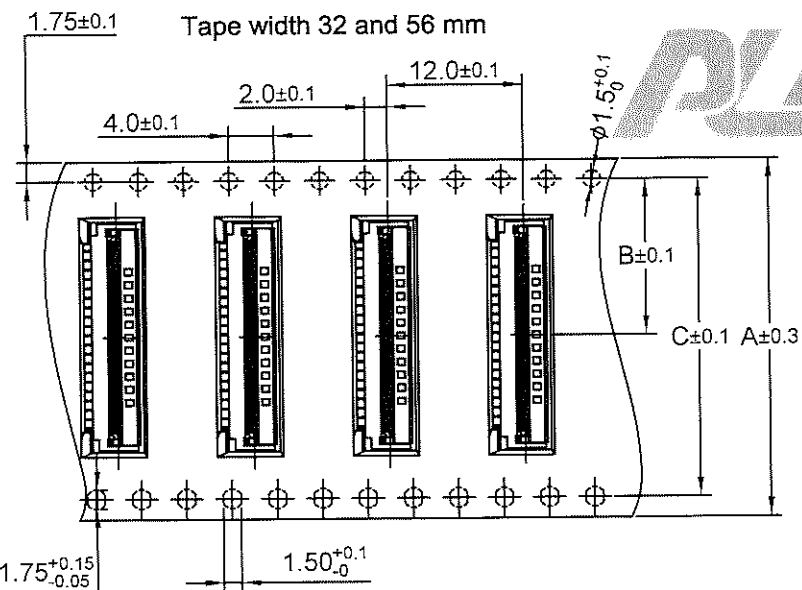
REV.	1
SHEET	1/2



Notes:

1. Packing Conforms EIA-481-C Standards.
2. 10 sprocket hole pitch cumulative $\pm 0.20\text{mm}$.
3. Carrier camber is within 1mm in 250mm.
4. Material: Black Conductive Polystyrene Alloy.
5. packing length per 13" reel: 30.0 Meters.
6. Component load per 13" reel: 2000 Pcs

Part NO.	Dimension		
	A	B	C
27~32PIN	56.00	20.25	40.50
16~26PIN	44.00	20.25	40.50
11~15PIN	32.00	14.25	28.50
04~10PIN	24.00	11.50	



PLASTREN

TOLERANCE TABLE	
X.X ± 0.25	X.° ± 3°
X.XX ± 0.20	.X° ± 3°
X.XX ± 0.10	

SCALE	5:1
UNIT	mm
SIZE	A4

DRAWN
CHECK
APPROVE

张文浩
(Signature)
(Signature)

DATE 2012/05/10
DATE 2012/05/11
DATE 2012/05/11

DWG. NO.
600-0000-2551
PARTS NO. (INTENDED USE)
FDDAXXCXBAK

TITLE
CUSTOMER DRAWING

REV.
1
SHEET
2/2

A

B

C

D

E