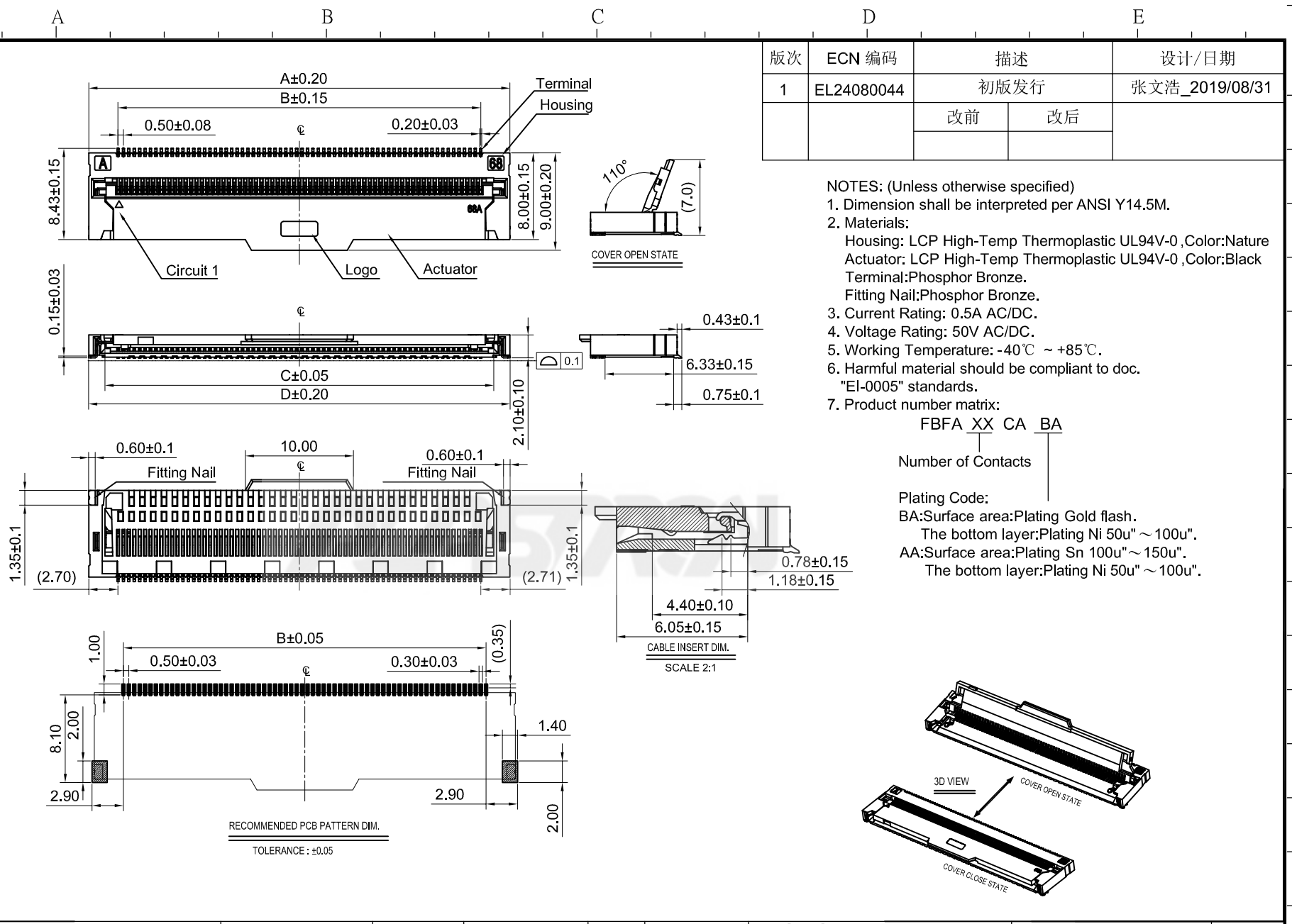


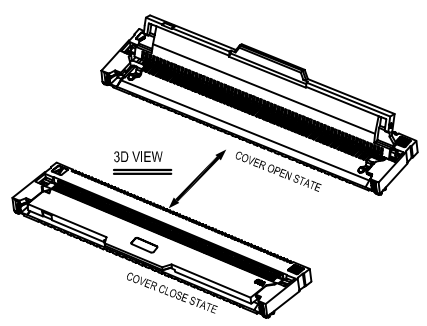
NO. of contacts	Dimensions			
	A.	B.	C.	D.
40	24.90	19.50	21.90	24.93
41	25.40	20.00	22.40	25.43
42	25.90	20.50	22.90	25.93
43	26.40	21.00	23.40	26.43
44	26.90	21.50	23.90	26.93
45	27.40	22.00	24.40	27.43
46	27.90	22.50	24.90	27.93
47	28.40	23.00	25.40	28.43
48	28.90	23.50	25.90	28.93
49	29.40	24.00	26.40	29.43
50	29.90	24.50	26.90	29.93
51	30.40	25.00	27.40	30.43
52	30.90	25.50	27.90	30.93
53	31.40	26.00	28.40	31.43
54	31.90	26.50	28.90	31.93
55	32.40	27.00	29.40	32.43
56	32.90	27.50	29.90	32.93
57	33.40	28.00	30.40	33.43
58	33.90	28.50	30.90	33.93
59	34.40	29.00	31.40	34.43
60	34.90	29.50	31.90	34.93
61	35.40	30.00	32.40	35.43
62	35.90	30.50	32.90	35.93
63	36.40	31.00	33.40	36.43
64	36.90	31.50	33.90	36.93
65	37.40	32.00	34.40	37.43
66	37.90	32.50	34.90	37.93
67	38.40	33.00	35.40	38.43
68	38.90	33.50	35.90	38.93
69	39.40	34.00	36.40	39.43
70	39.90	34.50	36.90	39.93
71	40.40	35.00	37.40	40.43
72	40.90	35.50	37.90	40.93
73	41.40	36.00	38.40	41.43
74	41.90	36.50	38.90	41.93
75	42.40	37.00	39.40	42.43
76	42.90	37.50	39.90	42.93
77	43.40	38.00	40.40	43.43
78	43.90	38.50	40.90	43.93
79	44.40	39.00	41.40	44.43
80	44.90	39.50	41.90	44.93
81	45.40	40.00	42.40	45.43
82	45.90	40.50	42.90	45.93
83	46.40	41.00	43.40	46.43
84	46.90	41.50	43.90	46.93
85	47.40	42.00	44.40	47.43
86	47.90	42.50	44.90	47.93
87	48.40	43.00	45.40	48.43
88	48.90	43.50	45.90	48.93
89	49.40	44.00	46.40	49.43
90	49.90	44.50	46.90	49.93
91	50.40	45.00	47.40	50.43
92	50.90	45.50	47.90	50.93
93	51.40	46.00	48.40	51.43
94	51.90	46.50	48.90	51.93
95	52.40	47.00	49.40	52.43
96	52.90	47.50	49.90	52.93
97	53.40	48.00	50.40	53.43



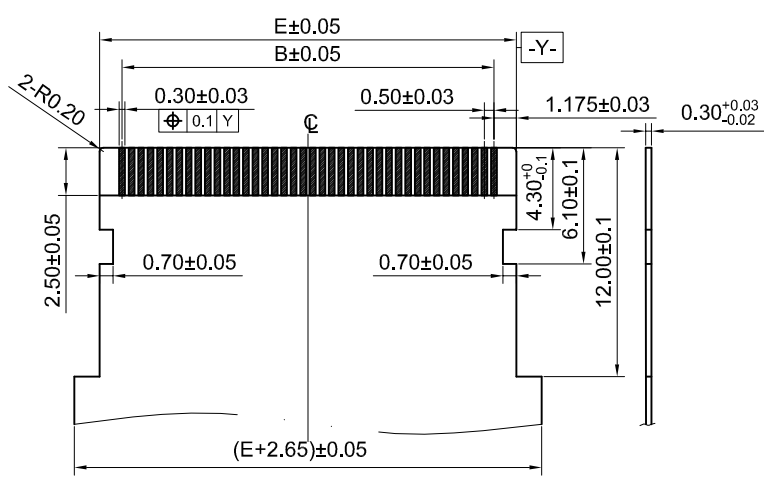
版次	ECN 编码	描述		设计/日期
1	EL24080044	初版发行		张文浩_2019/08/31
		改前	改后	

NOTES: (Unless otherwise specified)

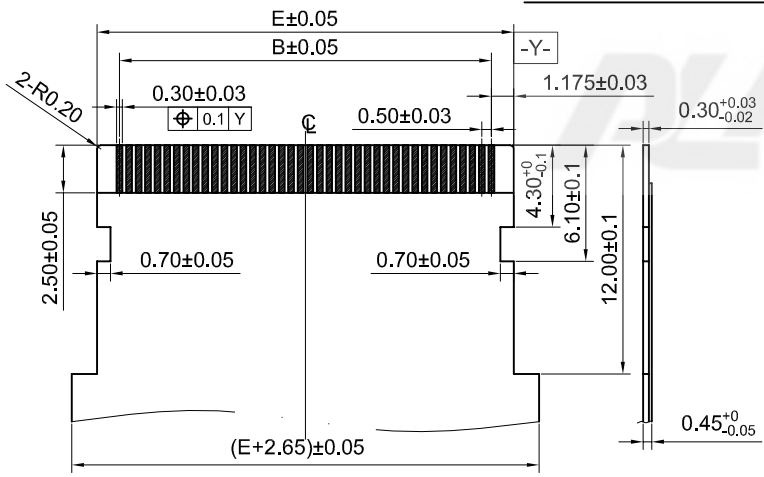
- Dimension shall be interpreted per ANSI Y14.5M.
- Materials:
Housing: LCP High-Temp Thermoplastic UL94V-0, Color: Nature
Actuator: LCP High-Temp Thermoplastic UL94V-0, Color: Black
Terminal: Phosphor Bronze.
Fitting Nail: Phosphor Bronze.
- Current Rating: 0.5A AC/DC.
- Voltage Rating: 50V AC/DC.
- Working Temperature: -40°C ~ +85°C.
- Harmful material should be compliant to doc. "EI-0005" standards.
- Product number matrix:
FBFA XX CA BA
Number of Contacts
- Plating Code:
BA: Surface area: Plating Gold flash.
The bottom layer: Plating Ni 50u" ~ 100u".
AA: Surface area: Plating Sn 100u" ~ 150u".
The bottom layer: Plating Ni 50u" ~ 100u".



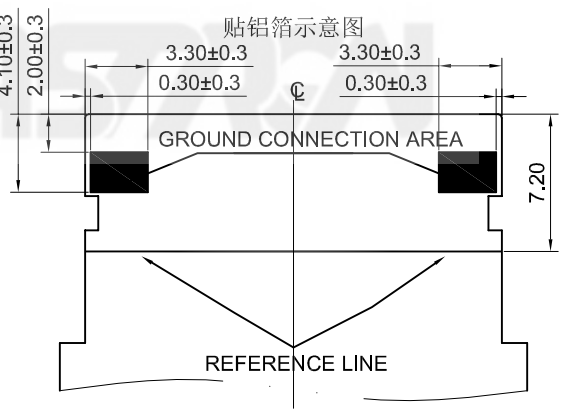
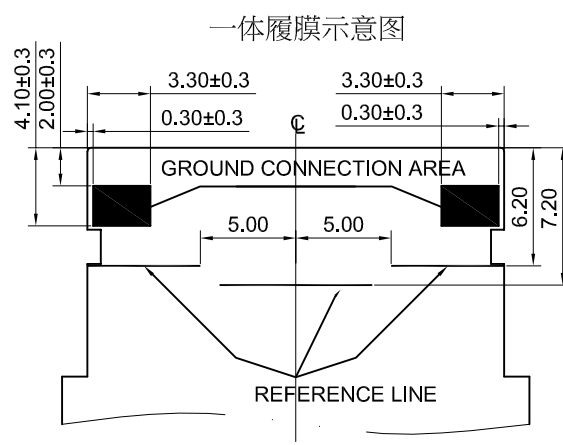
TOLERANCE TABLE		SCALE 2:1		DRAWN	张文浩	DATE	2019/08/31	DWG. NO.	600-0000-2536	TITLE	REV.
X.X ± 0.25	X.° ± 2°	UNIT mm		CHECK		DATE	2019/08/31	PARTS NO.(INTENDED USE)	CUSTOMER DRAWING	SHEET	1
X.XX ± 0.20	.X° ± 2°	SIZE A4	APPROVE		DATE	2019/08/31	1/2				
X.XXX ± 0.15								FBFAXXCABA			



APPLICABLE FPC/FFC



APPLICABLE FPC/FFC



NO.of contacts	Dimensions		NO.of contacts	Dimensions	
	B.	E.		B.	E.
40	19.50	21.85	69	34.00	36.35
41	20.00	22.35	70	34.50	36.85
42	20.50	22.85	71	35.00	37.35
43	21.00	23.35	72	35.50	37.85
44	21.50	23.85	73	36.00	38.35
45	22.00	24.35	74	36.50	38.85
46	22.50	24.85	75	37.00	39.35
47	23.00	25.35	76	37.50	39.85
48	23.50	25.85	77	38.00	40.35
49	24.00	26.35	78	38.50	40.85
50	24.50	26.85	79	39.00	41.35
51	25.00	27.35	80	39.50	41.85
52	25.50	27.85	81	40.00	42.35
53	26.00	28.35	82	40.50	42.85
54	26.50	28.85	83	41.00	43.35
55	27.00	29.35	84	41.50	43.85
56	27.50	29.85	85	42.00	44.35
57	28.00	30.35	86	42.50	44.85
58	28.50	30.85	87	43.00	45.35
59	29.00	31.35	88	43.50	45.85
60	29.50	31.85	89	44.00	46.35
61	30.00	32.35	90	44.50	46.85
62	30.50	32.85	91	45.00	47.35
63	31.00	33.35	92	45.50	47.85
64	31.50	33.85	93	46.00	48.35
65	32.00	34.35	94	46.50	48.85
66	32.50	34.85	95	47.00	49.35
67	33.00	35.35	96	47.50	49.85
68	33.50	35.85	97	48.00	50.35



TOLERANCE TABLE	SCALE 2.5:1		DRAWN 张文浩	DATE 2019/08/31	DWG. NO. 600-0000-2536	TITLE	REV. 1	
	X.X ± 0.25	X.° ± 2°						UNIT mm
	X.XX ± 0.20	.X° ± 2°	SIZE A4	APPROVE	DATE 2019/08/31	PARTS NO.(INTENDED USE) FBFAXXCABA	CUSTOMER DRAWING	SHEET 2/2
	X.XXX ± 0.15							