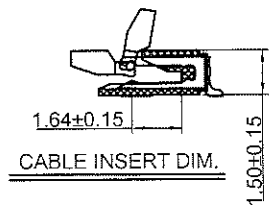
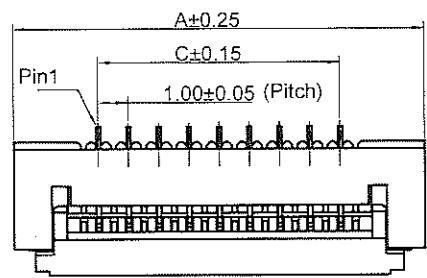
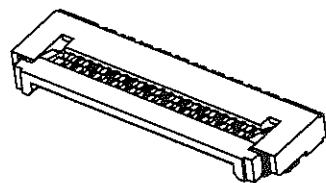


版次	ECN 编码	描述		设计/日期
1	EL24080037	初版发行		张文浩_2024/08/08
		改前	改后	



PITCH 1.0mm FPC CONNECTOR SMT TYPE



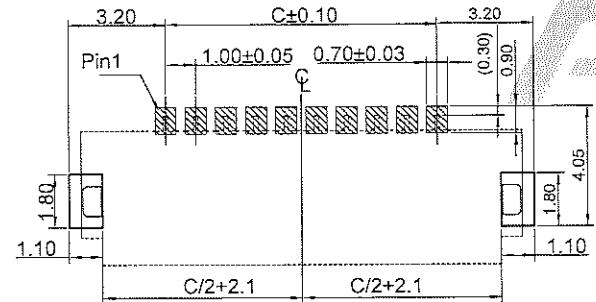
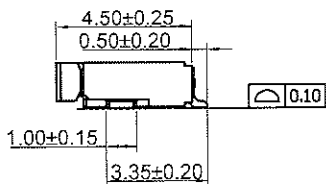
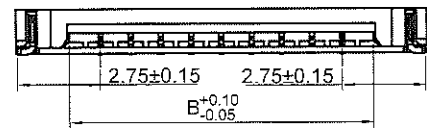
3D VIEW

- NOTES: (Unless otherwise specified)
1. Dimension shall be interpreted per ANSI Y14.5M.
  2. Materials:  
Housing:LCP UL 94V-0  
Actuator:LCP UL 94V-0  
Contacts:Copper Alloy  
Peg:Copper Alloy
  3. Current Rating: 0.3A AC/DC.
  4. Voltage Rating: 50V AC/DC.
  5. Working Temperature: -25°C ~ +85°C.
  6. Harmful material should be compliant to doc. "EI-0005" standards.
  7. Product number matrix:

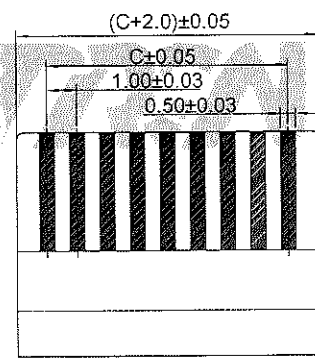
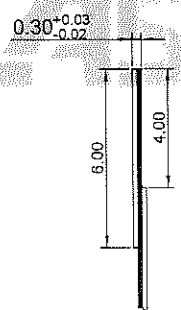
FDCA XX CX BA K

Number of Contacts Reel

Plating Code:  
BA:Surface area:Plating Gold flash.  
The bottom layer:Plating Ni 50u" ~ 120u".  
AA:Surface area:Plating Sn 80u" ~ 200u".  
The bottom layer:Plating Ni 50u" ~ 120u".



PCB LAYOUT



APPLICABLE FPC/FFC

PIN	DIM A	DIM B	DIM C	PIN	DIM A	DIM B	DIM C
4	8.60	5.07	3.00	19	23.60	20.07	18.00
5	9.60	6.07	4.00	20	24.60	21.07	19.00
6	10.60	7.07	5.00	21	25.60	22.07	20.00
7	11.60	8.07	6.00	22	26.60	23.07	21.00
8	12.60	9.07	7.00	23	27.60	24.07	22.00
9	13.60	10.07	8.00	24	28.60	25.07	23.00
10	14.60	11.07	9.00	25	29.60	26.07	24.00
11	15.60	12.07	10.00	26	30.60	27.07	25.00
12	16.60	13.07	11.00	27	31.60	28.07	26.00
13	17.60	14.07	12.00	28	32.60	29.07	27.00
14	18.60	15.07	13.00	29	33.60	30.07	28.00
15	19.60	16.07	14.00	30	34.60	31.07	29.00
16	20.60	17.07	15.00	31	35.60	32.07	30.00
17	21.60	18.07	16.00	32	36.60	33.07	31.00
18	22.60	19.07	17.00				



TOLERANCE TABLE	SCALE 4:1		DRAWN	张文浩	DATE	2024/08/08	DWG. NO. 600-0000-2541	TITLE CUSTOMER DRAWING	REV. 1
	X.X ± 0.25	X.° ± 3°	UNIT	mm	CHECK	15/8/2024			DATE
	X.XX ± 0.20	X.° ± 3°	SIZE	A4	APPROVE	3/8/2024	DATE	2024/08/08	
	X.XXX ± 0.10								

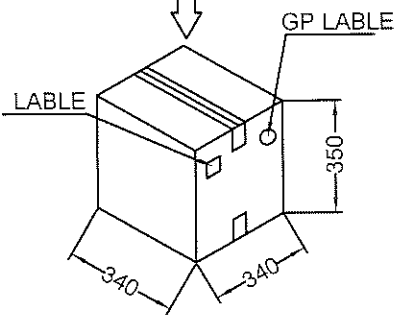
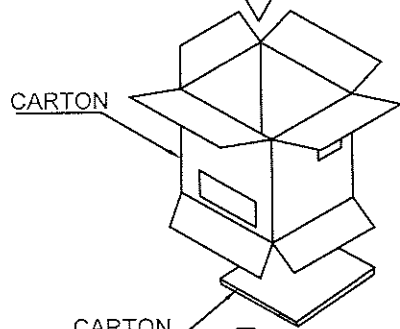
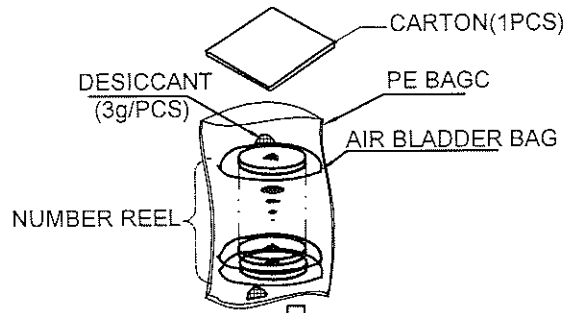
A

B

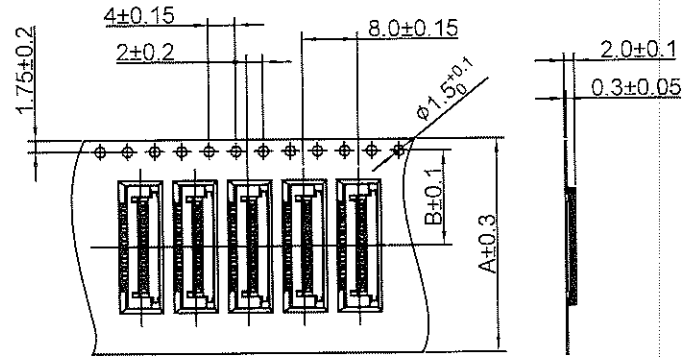
C

D

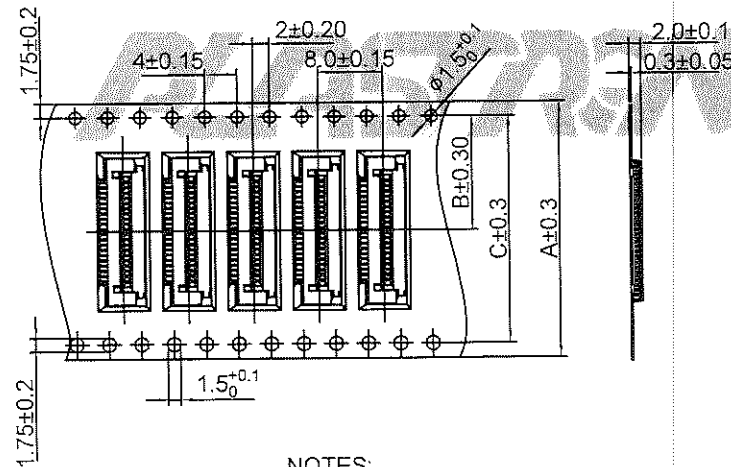
E



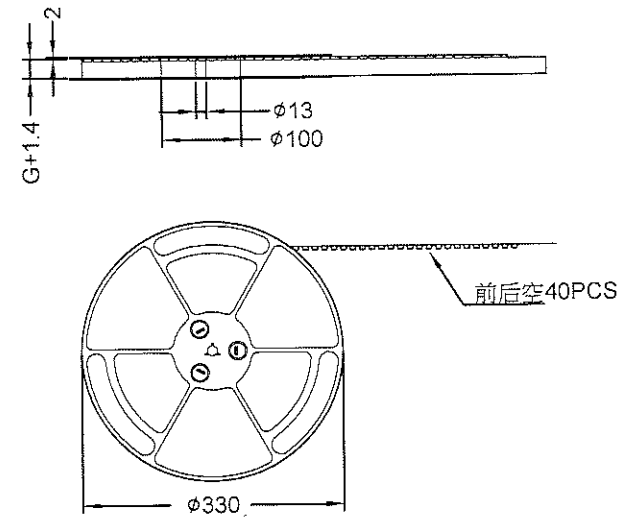
Tape width 16 and 24 mm



Tape width 32 and 56 mm



REEL DIM



NOTES:

1. Component load per 13" reel: 4000 pcs
2. Material: black conductive polystyrene alloy.
3. Thickness: 0.3±0.05mm
4. All dimensions meet EIA-481-C requirements

No. of Contacts	DIM			REEL (CARTON)	SUM(PCS)
	A	B	C		
4pin-12pin	24	11.5		10	40000
14pin-17pin	32	14.2	28.4	8	32000
18pin-26pin	44	20.2	40.4	6	24000
28pin-31pin	56	26.25	52.5	5	20000



TOLERANCE TABLE	
X.X±0.25	X.°±3°
X.XX±0.15	X°±3°

SCALE	2.5:1
UNIT	mm
SIZE	A4

DRAWN  
CHECK  
APPROVE

张文浩  
*[Signature]*  
*[Signature]*

DATE 2024/08/08  
DATE 2024/08/08  
DATE 2024/08/08

DWG. NO.  
600-0000-2541  
PARTS NO.(INTENDED USE)  
FDCAXXCXBAK

TITLE  
CUSTOMER DRAWING

REV.  
1  
SHEET  
2/2