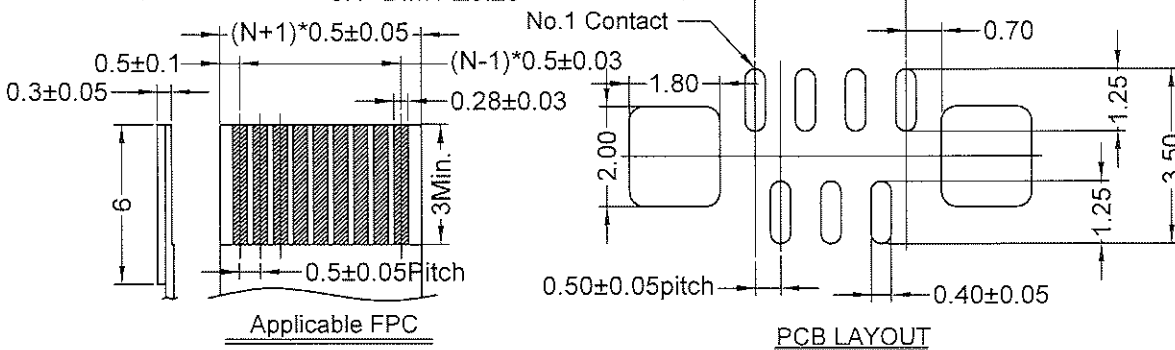
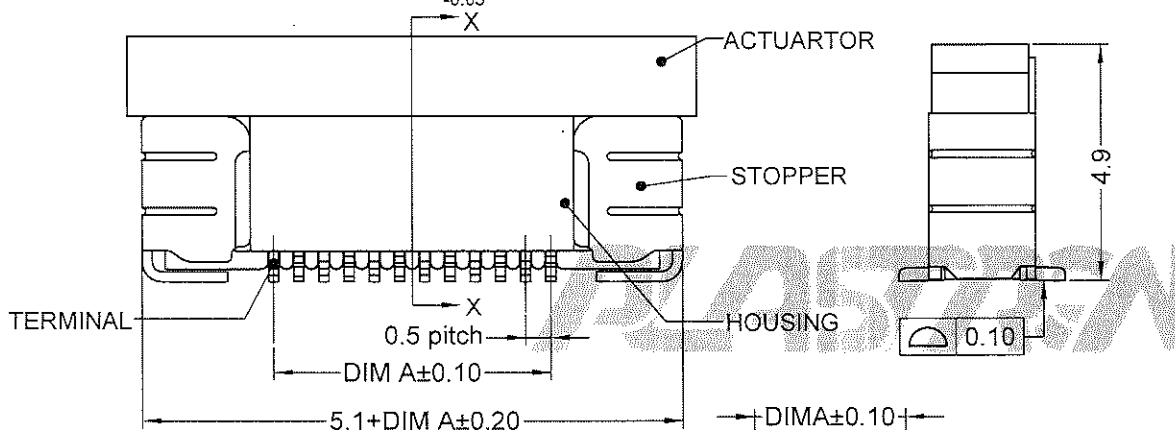
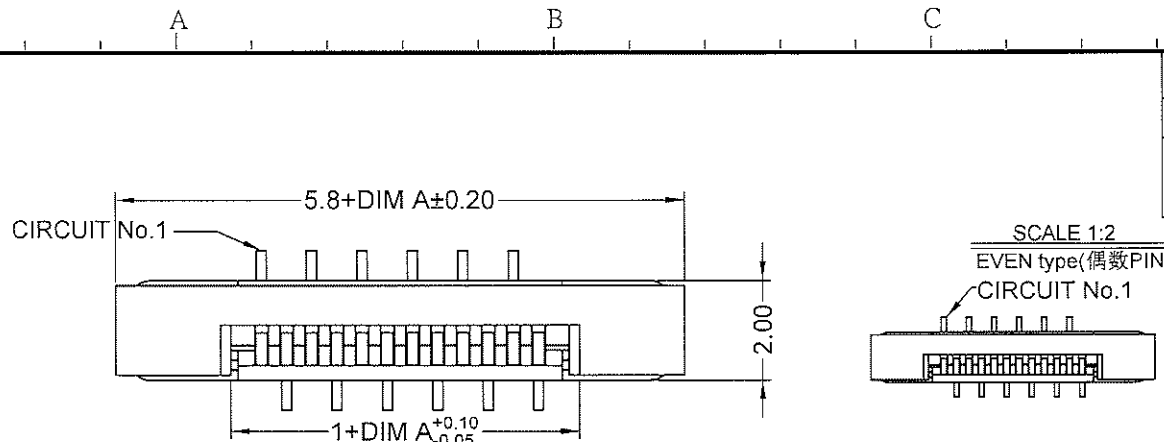
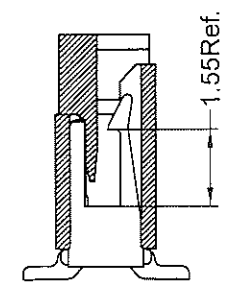
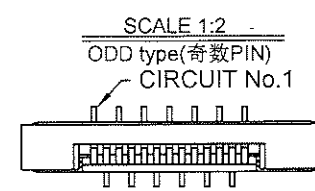


CIRCUIT	DIM A
04	1.5
05	2.0
06	2.5
07	3.0
08	3.5
09	4.0
10	4.5
11	5.0
12	5.5
13	6.0
14	6.5
15	7.0
16	7.5
17	8.0
18	8.5
19	9.0
20	9.5
21	10.0
22	10.5
23	11.0
24	11.5
25	12.0
26	12.5
27	13.0
28	13.5
29	14.0
30	14.5
31	15.0
32	15.5
33	16.0
34	16.5
35	17.0
36	17.5
37	18.0
38	18.5
39	19.0
40	19.5
41	20.0
42	20.5
43	21.0
44	21.5
45	22.0
46	22.5
47	23.0
48	23.5
49	24.0
50	24.5
51	25.0
52	25.5
53	26.0
54	26.5
55	27.0
56	27.5
57	28.0
58	28.5
59	29.0
60	29.5



版次	ECN 编码	描述	设计/日期
1	EL24080035	初版发行	张文浩_2013/04/16
		改前	改后



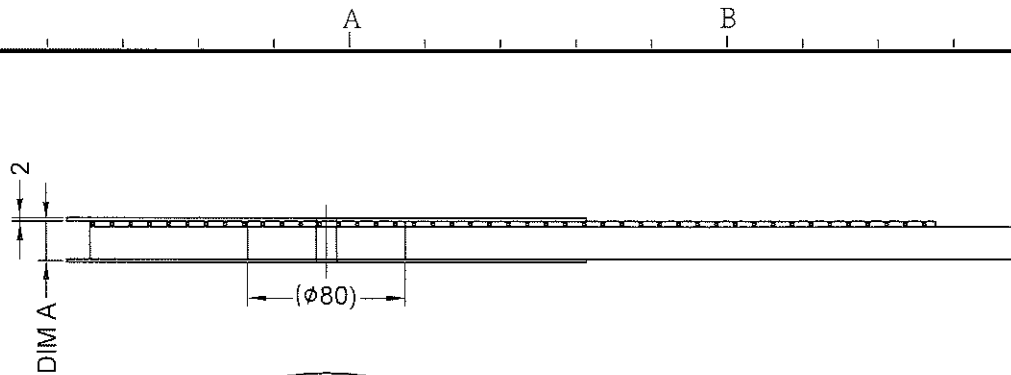
NOTES: (Unless otherwise specified)

- Dimension shall be interpreted per ANSI Y14.5M.
- Materials:
Hosing: Thermoplastic(UL94V-0)
Actuator: Thermoplastic(UL94V-0)
Terminal: Phosphor Bronze.
Stopper: Brass.
- Harmful material should be compliant to doc. "EI-0005" standards.
- Product number matrix:
FBJC XX XX AA K
Number of Contacts K:Reel

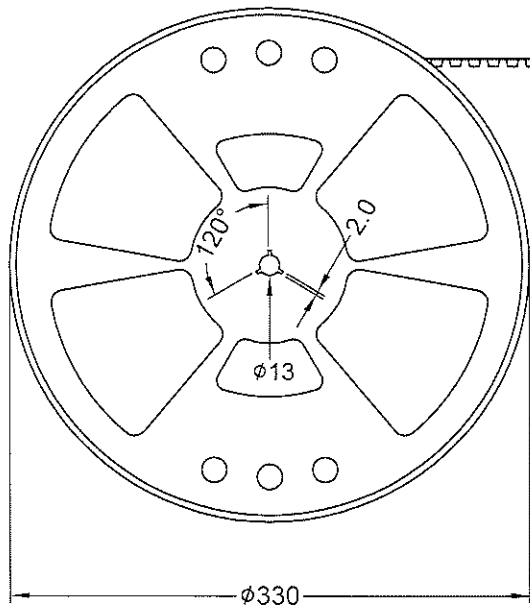
Plating Code:
Surface area:Plating Sn 80u"~200u".
The bottom layer:Plating Ni 50u"~120u".



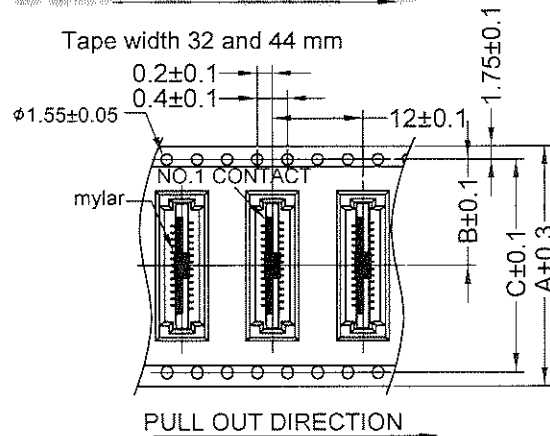
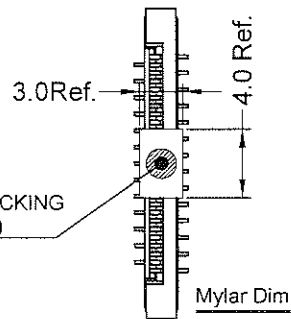
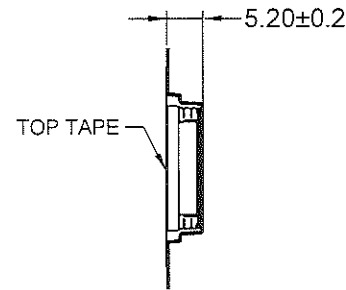
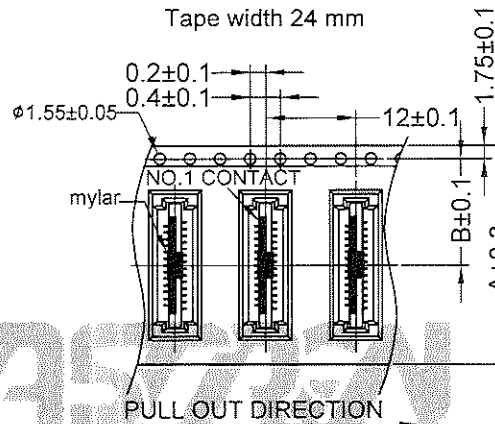
TOLERANCE TABLE		SCALE	DRAWN	DATE	DWG. NO.	TITLE	REV.
.X ± 0.15	X.° ± 1°	10:1	张文浩	2013/04/16	600-0000-2542	CUSTOMER DRAWING	1
.XX ± 0.05	.X° ± 1°	UNIT	CHECK	2013/04/17	PARTS NO.(INTENDED USE)		SHEET
.XXX ± 0.01		SIZE	APPROVE	2013/04/17	FBJCXXXXAAK		1/3



NOTE:
 1. 10 SPROCKET HOLE PITCH CUMULATIVE TOLERANCE ± 0.2 .
 2. CARRIER CAMBER IS WITHIN 1 mm IN 100mm.
 3. MATERIAL : BLACK CONDUCTIVE POLYSTYRENE ALLOY
 100% RECYCLABLE.
 4. THICKNESS : 0.30 ± 0.05 mm
 5. COMPONENT LOAD PER 13" REEL : 1,500 PCS.
 6. FOR TAPE WIDTH (DIMENSION A) 24mm A PILOT
 HOLE IS PROVIDED ON ONE SIDE.
 FOR TAPE WIDTH (DIMENSION A) 32mm AND
 44mm PILOT HOLES ARE PROVIDED ON BOTH SIDES.



PULL OUT DIRECTION



PULL OUT DIRECTION

CIRCUIT NO.	DIM A	DIM B	DIM C
04~20	24	11.5	
21~38	32	14.2	28.4
39~60	44	20.2	40.4



TOLERANCE TABLE	
.X \pm 0.15	X.° \pm 1°
.XX \pm 0.05	.X° \pm 1°
.XXX \pm 0.01	

SCALE	10:1
UNIT	mm
SIZE	A4

DRAWN
CHECK
APPROVE

张文科
13级明
朱子群

DATE 2013/04/16
DATE 2013/04/17
DATE 2013/04/17

DWG. NO. 600-0000-2542
PARTS NO. (INTENDED USE) FBJCXXXXAAK

TITLE
CUSTOMER DRAWING

REV. 1
SHEET 2/3

A

B

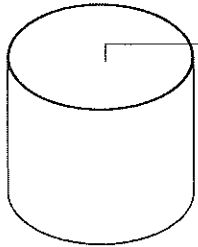
C

D

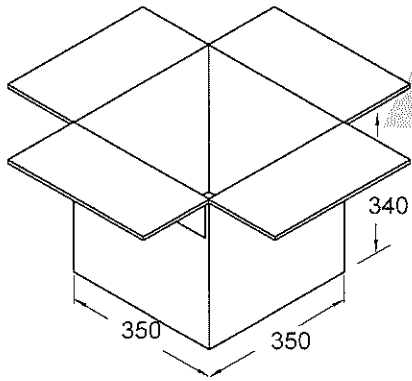
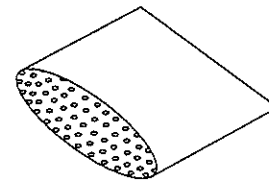
E

CIRCUIT NO.	(1) 外箱	(6) 气泡袋	(7) 盘数	(8) 总数量
04~20	1	07	07	10500
21~38	1	06	06	9000
39~60	1	05	05	7500

塑胶袋
PLASTIC BAG



气泡袋
BUBBLE BAG



外箱
CARTON



TAPE & REEL



TOLERANCE TABLE	
.X ± 0.10	X.° ± 1°
.XX ± 0.05	.X.° ± 1°
.XXX ± 0.01	

SCALE	1:1
UNIT	mm
SIZE	A4



DRAWN	张文浩	DATE	2013/04/16
CHECK	何晓明	DATE	2013/04/17
APPROVE	朱方群	DATE	2013/04/17

DWG. NO.	600-0000-2542
PARTS NO. (INTENDED USE)	FBJCXXXXAAK

TITLE
CUSTOMER DRAWING

REV.	1
SHEET	3/3