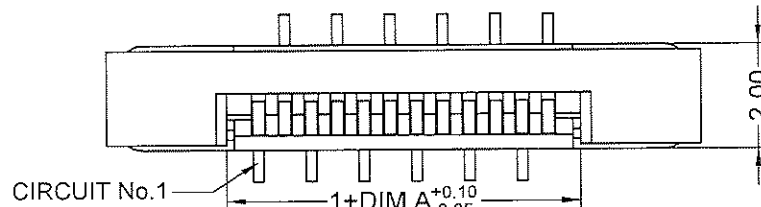
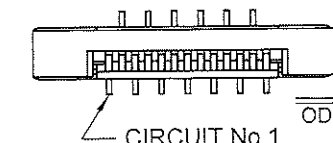
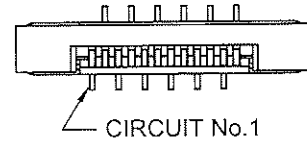


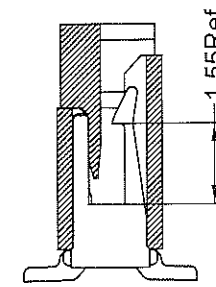
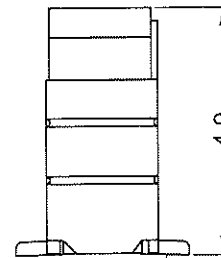
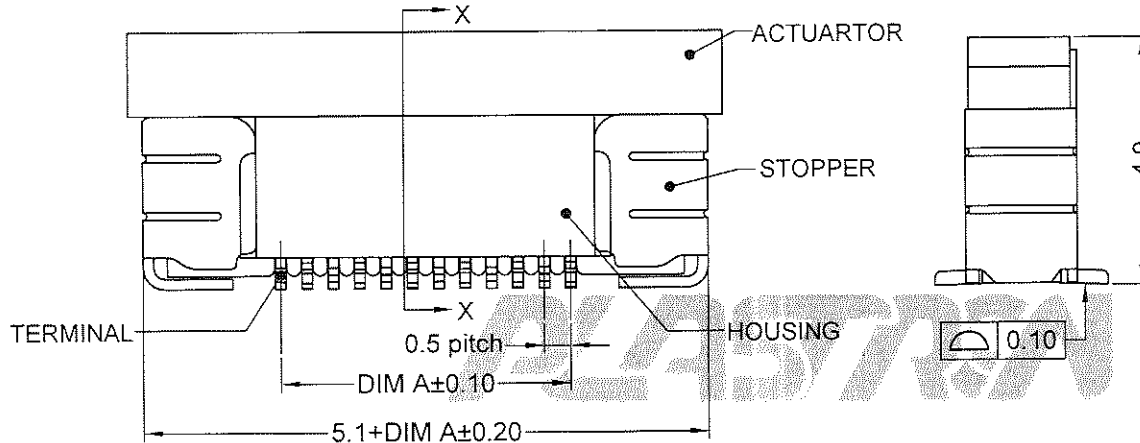
CIRCUIT	DIM A
04	1.5
05	2.0
06	2.5
07	3.0
08	3.5
09	4.0
10	4.5
11	5.0
12	5.5
13	6.0
14	6.5
15	7.0
16	7.5
17	8.0
18	8.5
19	9.0
20	9.5
21	10.0
22	10.5
23	11.0
24	11.5
25	12.0
26	12.5
27	13.0
28	13.5
29	14.0
30	14.5
31	15.0
32	15.5
33	16.0
34	16.5
35	17.0
36	17.5
37	18.0
38	18.5
39	19.0
40	19.5
41	20.0
42	20.5
43	21.0
44	21.5
45	22.0
46	22.5
47	23.0
48	23.5
49	24.0
50	24.5
51	25.0
52	25.5
53	26.0
54	26.5
55	27.0
56	27.5
57	28.0
58	28.5
59	29.0
60	29.5



SCALE 1:2
EVEN type(偶数PIN)



SCALE 1:2
ODD type(奇数PIN)



X-X

NOTES: (Unless otherwise specified)

1. Dimension shall be interpreted per ANSI Y14.5M.

2. Materials:

Hosing: Thermoplastic(UL94V-0)

Actuator: Thermoplastic(UL94V-0)

Terminal: Phosphor Bronze.

Stopper: Brass.

3. Harmful material should be compliant to doc.

"EI-0005" standards.

4. Product number matrix:

FBJC XX SX AA K

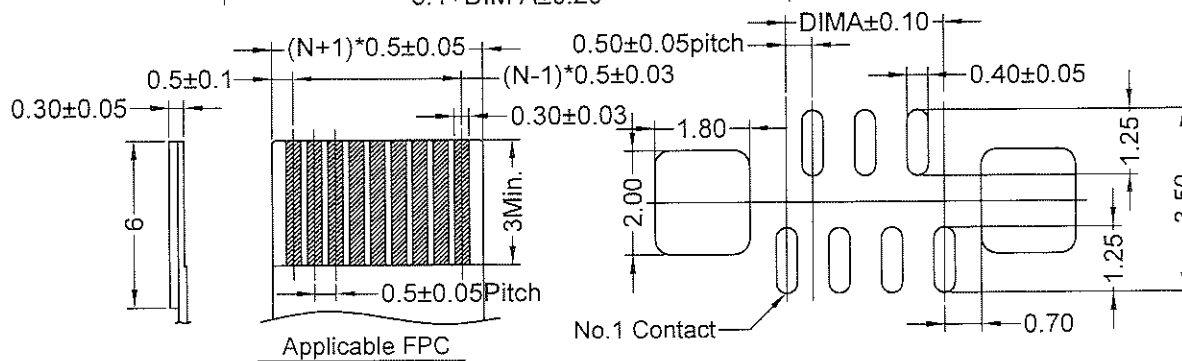
Number of
Contacts

K:Reel

Plating Code:

Surface area:Plating Sn 80u"~200u".

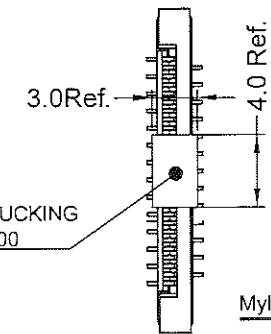
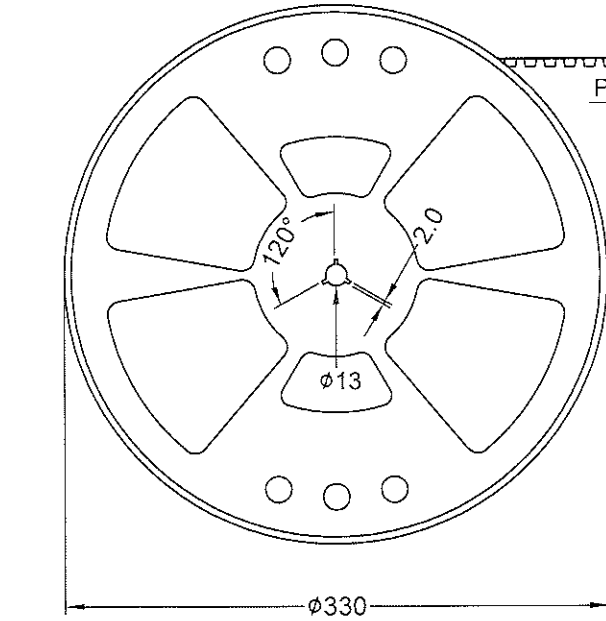
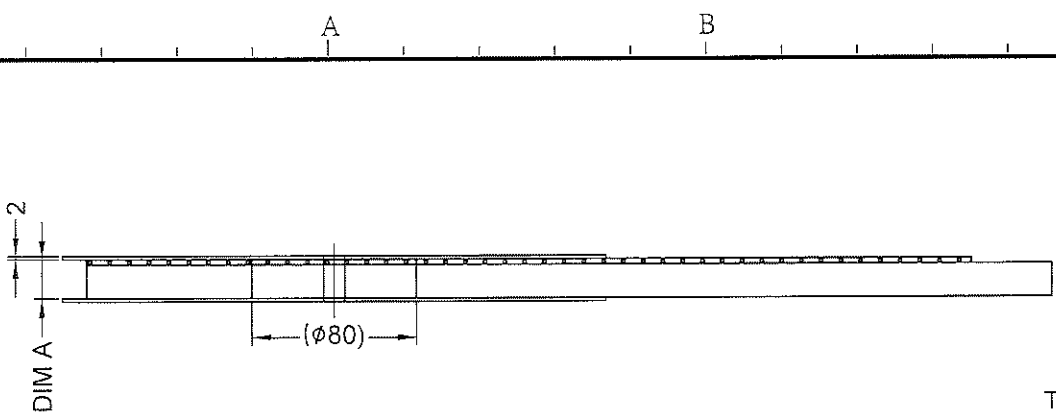
The bottom layer:Plating Ni 50u"~120u".



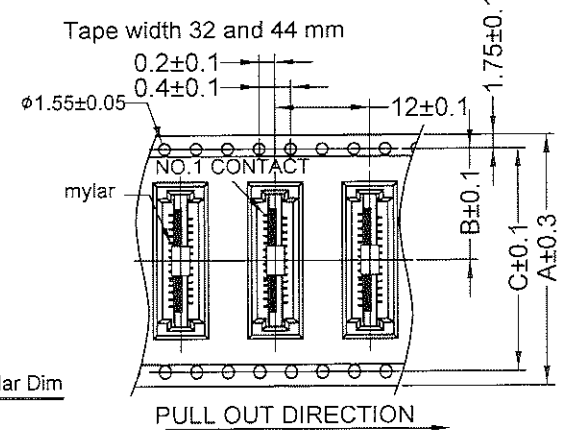
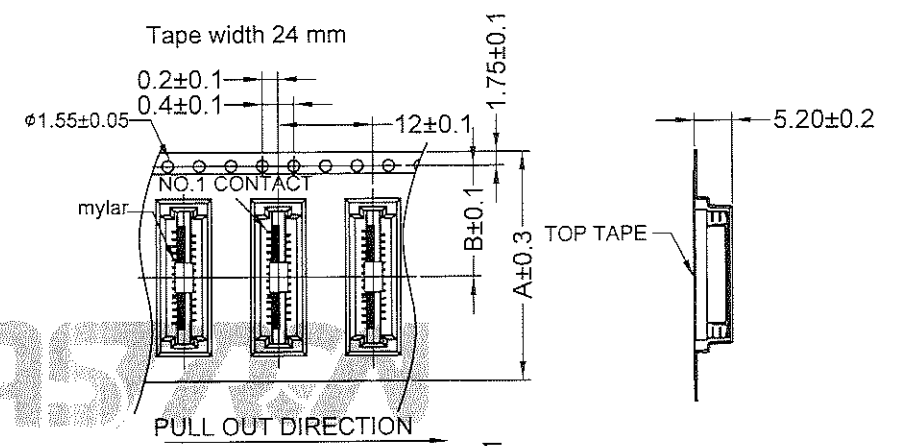
PCB LAYOUT



TOLERANCE TABLE		SCALE	DRAWN	DATE	DWG. NO.	TITLE	REV.
.X ± 0.15	X.° ± 1°	10:1	张文浩	2013/04/16	600-0000-2543	CUSTOMER DRAWING	1
.XX ± 0.05	.X° ± 1°	UNIT	CHECK	2013/04/17	PARTS NO.(INTENDED USE)		SHEET
.XXX ± 0.01		mm	APPROVE	2013/04/17	FBJCXXSXAAC		1/3
		SIZE					



NOTE:
 1. 10 SPROCKET HOLE PITCH CUMULATIVE TOLERANCE ± 0.2 .
 2. CARRIER CAMBER IS WITHIN 1 mm IN 100mm.
 3. MATERIAL : BLACK CONDUCTIVE POLYSTYRENE ALLOY
 100% RECYCLABLE.
 4. THICKNESS : 0.30 ± 0.05 mm
 5. COMPONENT LOAD PER 13" REEL : 1,500 PCS.
 6. FOR TAPE WIDTH (DIMENSION A) 24mm A PILOT
 HOLE IS PROVIDED ON ONE SIDE.
 FOR TAPE WIDTH (DIMENSION A) 32mm AND
 44mm PILOT HOLES ARE PROVIDED ON BOTH SIDES.



CIRCUIT NO.	DIM A	DIM B	DIM C
04~20	24	11.5	
21~38	32	14.2	28.4
39~60	44	20.2	40.4



TOLERANCE TABLE	
.X ± 0.15	.X° ± 1°
.XX ± 0.05	.X° ± 1°
.XXX ± 0.01	

SCALE	10:1
UNIT	mm
SIZE	A4

DRAWN
CHECK
APPROVE

张文浩
DATE 2013/04/16
DATE 2013/04/17
DATE 2013/04/17

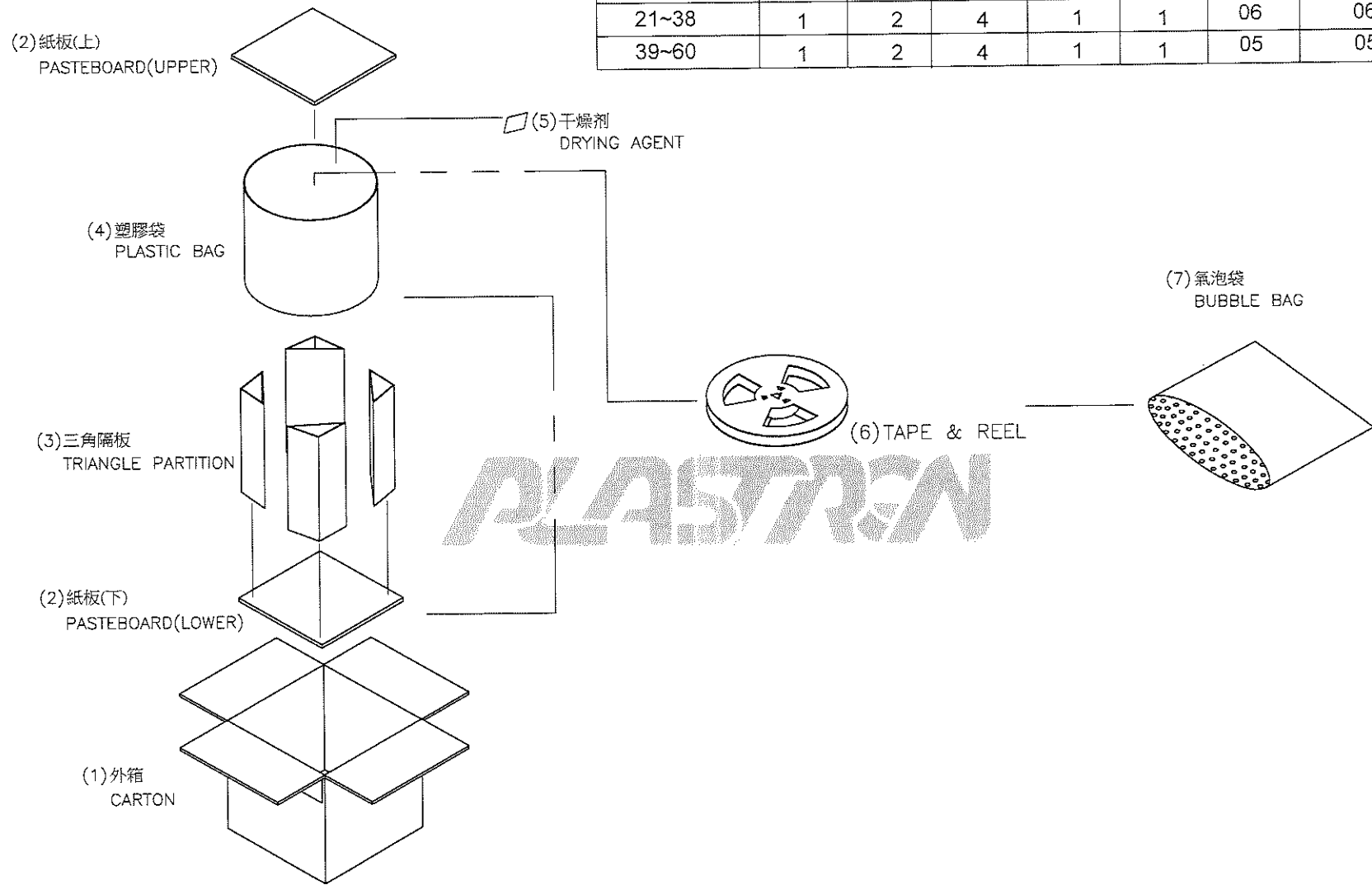
DWG. NO.
600-0000-2543
PARTS NO. (INTENDED USE)
FBJCXXSXA AK

TITLE
CUSTOMER DRAWING

REV.
1
SHEET
2/3

A B C D E

CIRCUIT NO.	(1) 外箱	(2) 纸板	(3) 三角隔板	(4) 塑膠袋	(5) 干燥剂	(6) 气泡袋	(7) 盘数	(8) 总数量
04~20	1	2	4	1	1	07	07	10500
21~38	1	2	4	1	1	06	06	9000
39~60	1	2	4	1	1	05	05	7500



PLASTREN



TOLERANCE TABLE	
.X ± 0.1	X.° ± 1°
.XX ± 0.05	.X.° ± 1°
.XXX ± 0.01	

SCALE	1:1
UNIT	mm
SIZE	A4

DRAWN	张文浩	DATE	2013/04/16
CHECK	150417	DATE	2013/04/17
APPROVE	朱宇辉	DATE	2013/04/17

DWG. NO.	600-0000-2543
PARTS NO.(INTENDED USE)	FBJCXXSXAAK

TITLE
CUSTOMER DRAWING

REV.	1
SHEET	3/3

A B C D E