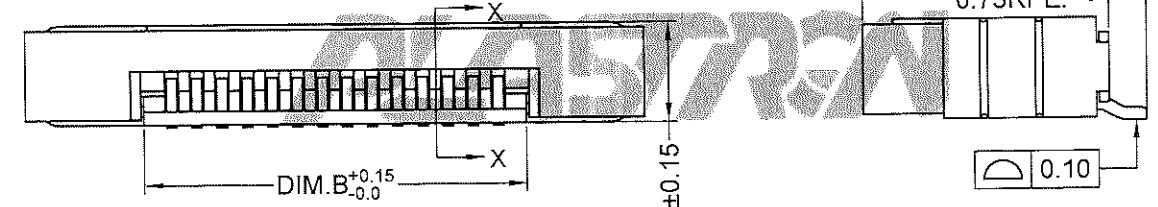
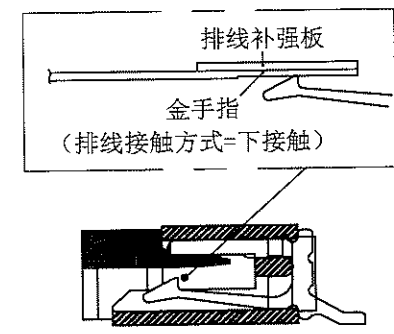
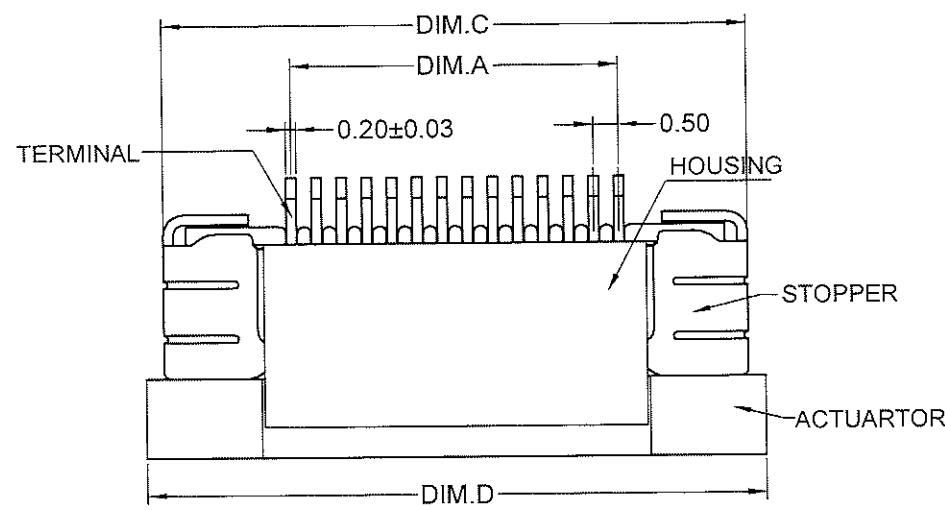
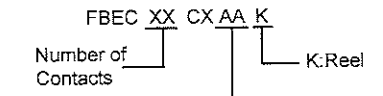


PIN	DIM.A	DIM.B	DIM.C	DIM.D
04	1.5	2.6	6.6	7.3
05	2.0	3.1	7.1	7.8
06	2.5	3.6	7.6	8.3
07	3.0	4.1	8.1	8.8
08	3.5	4.6	8.6	9.3
09	4.0	5.1	9.1	9.8
10	4.5	5.6	9.6	10.3
11	5.0	6.1	10.1	10.8
12	5.5	6.6	10.6	11.3
13	6.0	7.1	11.1	11.8
14	6.5	7.6	11.6	12.3
15	7.0	8.1	12.1	12.8
16	7.5	8.6	12.6	13.3
17	8.0	9.1	13.1	13.8
18	8.5	9.6	13.6	14.3
19	9.0	10.1	14.1	14.8
20	9.5	10.6	14.6	15.3
21	10.0	11.1	15.1	15.8
22	10.5	11.6	15.6	16.3
23	11.0	12.1	16.1	16.8
24	11.5	12.6	16.6	17.3
25	12.0	13.1	17.1	17.8
26	12.5	13.6	17.6	18.3
27	13.0	14.1	18.1	18.8
28	13.5	14.6	18.6	19.3
29	14.0	15.1	19.1	19.8
30	14.5	15.6	19.6	20.3
31	15.0	16.1	20.1	20.8
32	15.5	16.6	20.6	21.3
33	16.0	17.1	21.1	21.8
34	16.5	17.6	21.6	22.3
35	17.0	18.1	22.1	22.8
36	17.5	18.6	22.6	23.3
37	18.0	19.1	23.1	23.8
38	18.5	19.6	23.6	24.3
39	19.0	20.1	24.1	24.8
40	19.5	20.6	24.6	25.3
41	20.0	21.1	25.1	25.8
42	20.5	21.6	25.6	26.3
43	21.0	22.1	26.1	26.8
44	21.5	22.6	26.6	27.3
45	22.0	23.1	27.1	27.8
46	22.5	23.6	27.6	28.3
47	23.0	24.1	28.1	28.8
48	23.5	24.6	28.6	29.3
49	24.0	25.1	29.1	29.8
50	24.5	25.6	29.6	30.3
51	25.0	26.1	30.1	30.8
52	25.5	26.6	30.6	31.3
53	26.0	27.1	31.1	31.8
54	26.5	27.6	31.6	32.3
55	27.0	28.1	32.1	32.8
56	27.5	28.6	32.6	33.3
57	28.0	29.1	33.1	33.8
58	28.5	29.6	33.6	34.3
59	29.0	30.1	34.1	34.8
60	29.5	30.6	34.6	35.3

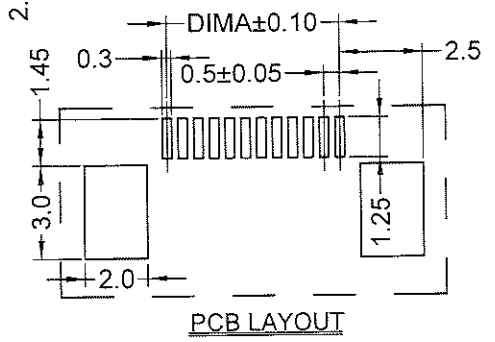
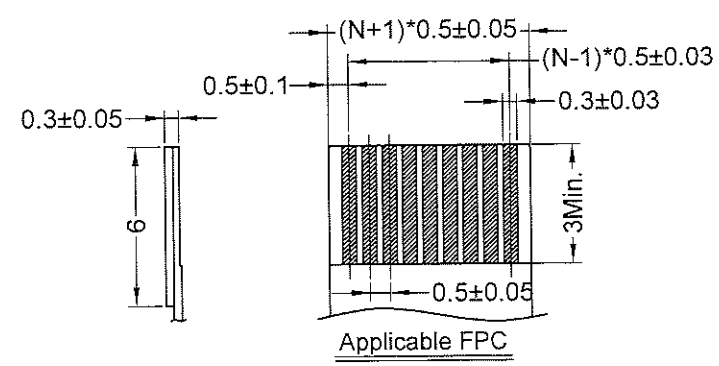
版次	ECN 编码	描述		设计/日期
1	EL24080032	初版发行		张文浩_2020/12/19
		改前	改后	



NOTES: (Unless otherwise specified)
 1. Dimension shall be interpreted per ANSI Y14.5M.
 2. Materials:
 Housing: Thermoplastic(UL94V-0)
 Actuator: Thermoplastic(UL94V-0)
 Terminal: Phosphor Bronze.
 Stopper: Brass.
 3. Harmful material should be compliant to doc. "EI-0005" standards.
 4. Product number matrix:

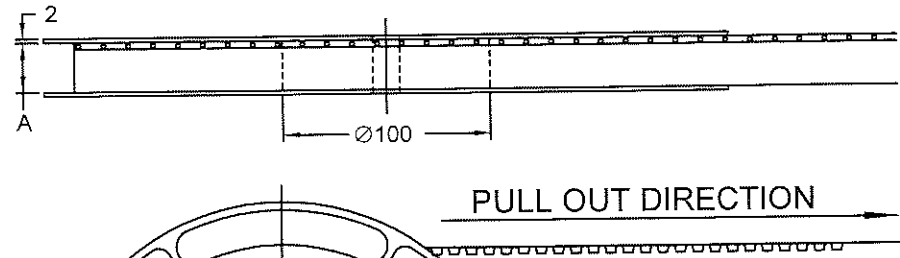
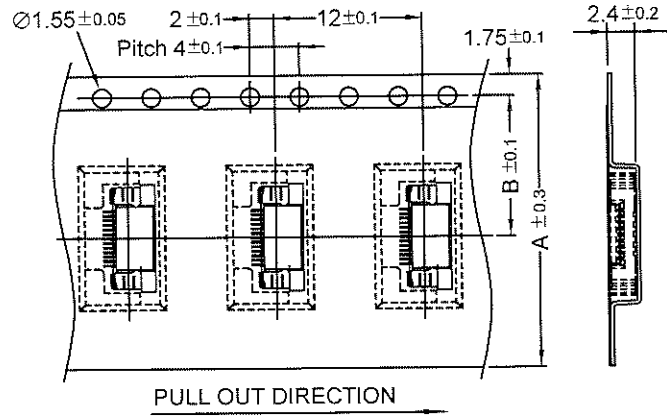


Plating Code:
 Surface area:Plating Sn 80u"~200u".
 The bottom layer:Plating Ni 50u"~120u".

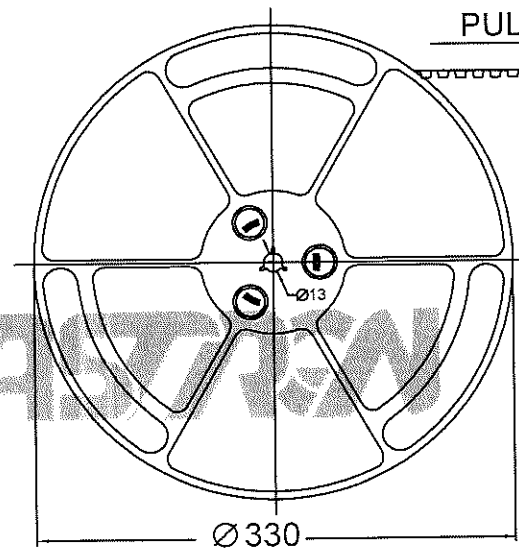
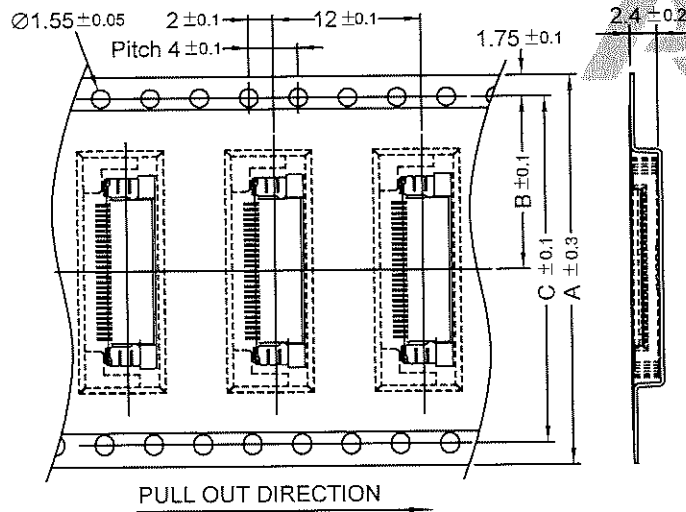


TOLERANCE TABLE		SCALE	DRAWN	DATE	DWG. NO.	TITLE	REV.
.X ± 0.15	X.° ± 1°	10:1	张文浩	2020/12/19	600-0000-2544	CUSTOMER DRAWING	1
.XX ± 0.05	.X° ± 1°	UNIT	CHECK	DATE	PARTS NO.(INTENDED USE)		SHEET
.XXX ± 0.01		mm	APPROVE	DATE	FBECXXCXAAK		
		SIZE					

Tape width 24 mm



Tape width 32 and 44 mm



- Note:
- 1.10 sprocket hole pitch cumulative tolerance 0.2mm.
 - 2.Carrier camber is within 1 mm in 100mm.
 - 3.Material : Black Conductive Polystyrene Alloy.
 - 4.All dimensions meet EIA-481-B requirements.
 - 5.Thickness : 0.3±0.05mm.
 - 6.Component load per 13" reel : 2000 pcs.
 - 7.For tape width (dimension A) 24mm a pilot hole is provided on one side.
For tape width (dimension A) 32mm and 44mm pilot holes are provided on both sides.

CIRCUIT NO.	DIM A	DIM B	DIM C
04~20	24	11.5	
21~38	32	14.2	28.4
39~60	44	20.2	40.4



TOLERANCE TABLE	SCALE	10:1	DRAWN	张文浩	DATE	2020/12/19	DWG. NO. 600-0000-2544	TITLE CUSTOMER DRAWING	REV.	1
	X. ± 0.30	X.° ± 3°	UNIT	mm	CHECK	12/20/20			DATE	2020/12/20
	.X ± 0.25	.X° ± 3°	SIZE A4	APPROVE	朱梓	DATE	2020/12/20	PARTS NO.(INTENDED USE) FBECXXCXAAK		
	.XX ± 0.15									

A

B

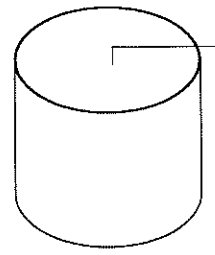
C

D

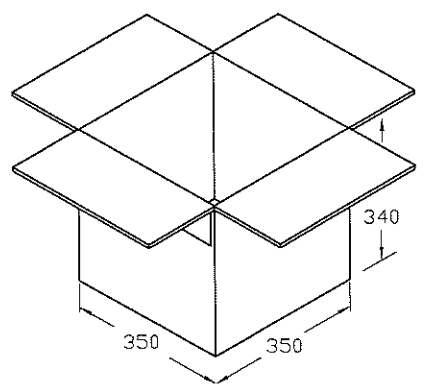
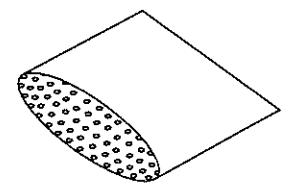
E

CIRCUIT NO.	外箱	塑膠袋	气泡袋	REEL盘数	总数量
04~20	1	1	09	09	18,000
21~38	1	1	08	08	16,000
39~60	1	1	07	07	14,000

塑膠袋
PLASTIC BAG



氣泡袋
BUBBLE BAG



外箱
CARTON



TAPE & REEL

PLASTREN



TOLERANCE TABLE	
.X ± 0.1	X.° ± 1°
.XX ± 0.05	X.° ± 1°
.XXX ± 0.01	

SCALE	1:1
UNIT	mm
SIZE	A4

DRAWN
CHECK
APPROVE

张文浩
[Signature]
朱子辉

DATE	2020/12/19
DATE	2020/12/20
DATE	2020/12/20

DWG. NO.	600-0000-2544
PARTS NO.(INTENDED USE)	FBECCXCXAAK

TITLE
CUSTOMER DRAWING

REV.	1
SHEET	3/3