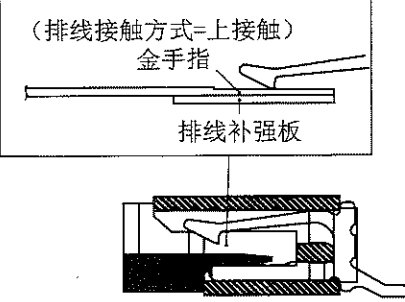
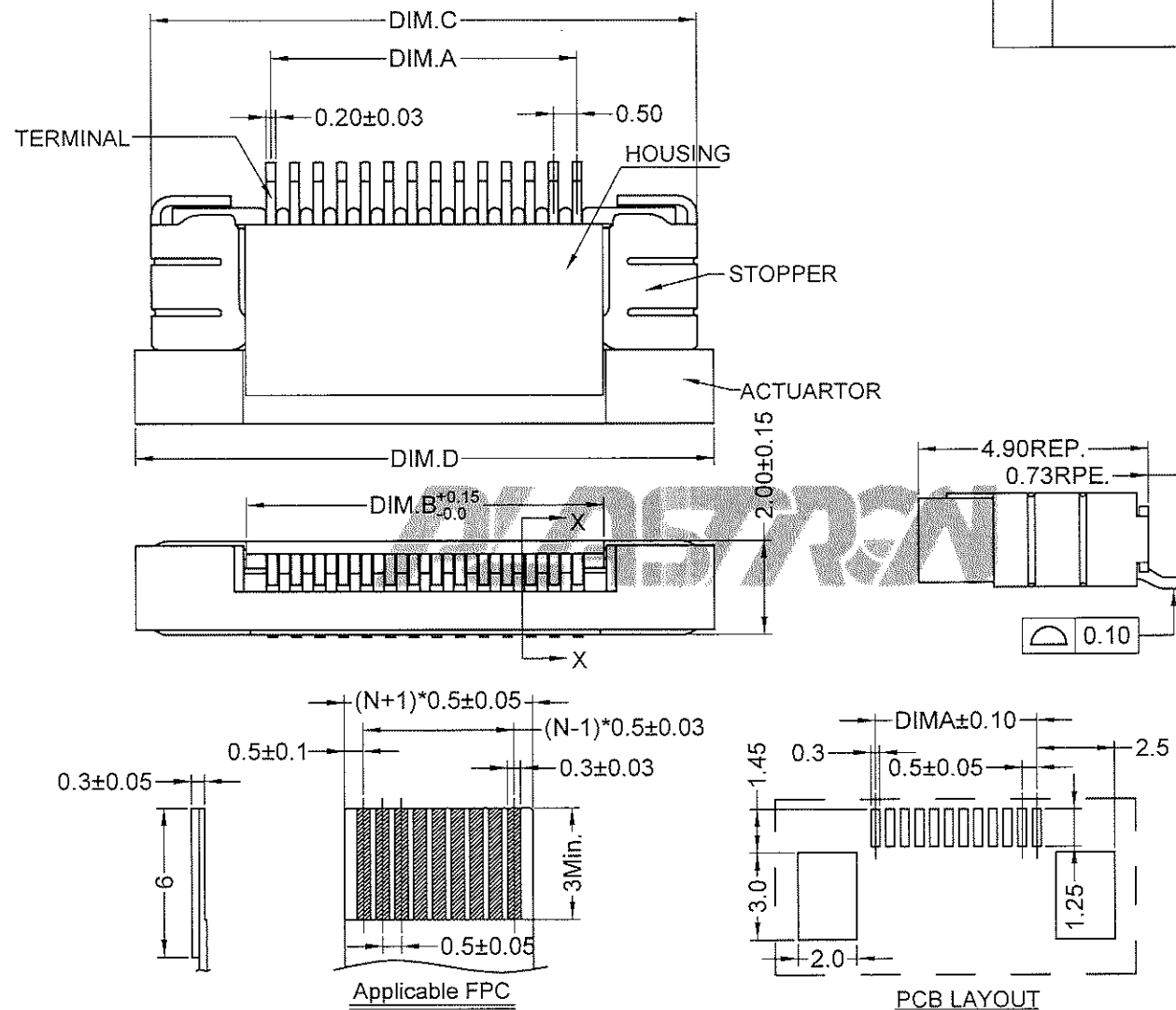


PIN	DIM.A	DIM.B	DIM.C	DIM.D
04	1.5	2.6	5.5	7.3
05	2.0	3.1	7.1	7.8
06	2.5	3.6	7.6	8.3
07	3.0	4.1	8.1	8.8
08	3.5	4.6	8.6	9.3
09	4.0	5.1	9.1	9.8
10	4.5	5.6	9.6	10.3
11	5.0	6.1	10.1	10.8
12	5.5	6.6	10.6	11.3
13	6.0	7.1	11.1	11.8
14	6.5	7.6	11.6	12.3
15	7.0	8.1	12.1	12.8
16	7.5	8.6	12.6	13.3
17	8.0	9.1	13.1	13.8
18	8.5	9.6	13.6	14.3
19	9.0	10.1	14.1	14.8
20	9.5	10.6	14.6	15.3
21	10.0	11.1	15.1	15.8
22	10.5	11.6	15.6	16.3
23	11.0	12.1	16.1	16.8
24	11.5	12.6	16.6	17.3
25	12.0	13.1	17.1	17.8
26	12.5	13.6	17.6	18.3
27	13.0	14.1	18.1	18.8
28	13.5	14.6	18.6	19.3
29	14.0	15.1	19.1	19.8
30	14.5	15.6	19.6	20.3
31	15.0	16.1	20.1	20.8
32	15.5	16.6	20.6	21.3
33	16.0	17.1	21.1	21.8
34	16.5	17.6	21.6	22.3
35	17.0	18.1	22.1	22.8
36	17.5	18.6	22.6	23.3
37	18.0	19.1	23.1	23.8
38	18.5	19.6	23.6	24.3
39	19.0	20.1	24.1	24.8
40	19.5	20.6	24.6	25.3
41	20.0	21.1	25.1	25.8
42	20.5	21.6	25.6	26.3
43	21.0	22.1	26.1	26.8
44	21.5	22.6	26.6	27.3
45	22.0	23.1	27.1	27.8
46	22.5	23.6	27.6	28.3
47	23.0	24.1	28.1	28.8
48	23.5	24.6	28.6	29.3
49	24.0	25.1	29.1	29.8
50	24.5	25.6	29.6	30.3
51	25.0	26.1	30.1	30.8
52	25.5	26.6	30.6	31.3
53	26.0	27.1	31.1	31.8
54	26.5	27.6	31.6	32.3
55	27.0	28.1	32.1	32.8
56	27.5	28.6	32.6	33.3
57	28.0	29.1	33.1	33.8
58	28.5	29.6	33.6	34.3
59	29.0	30.1	34.1	34.8
60	29.5	30.6	34.6	35.3

版次	ECN 编码	描述		设计/日期
1	EL24080031	初版发行		张文浩_2020/12/19
		改前	改后	



NOTES: (Unless otherwise specified)

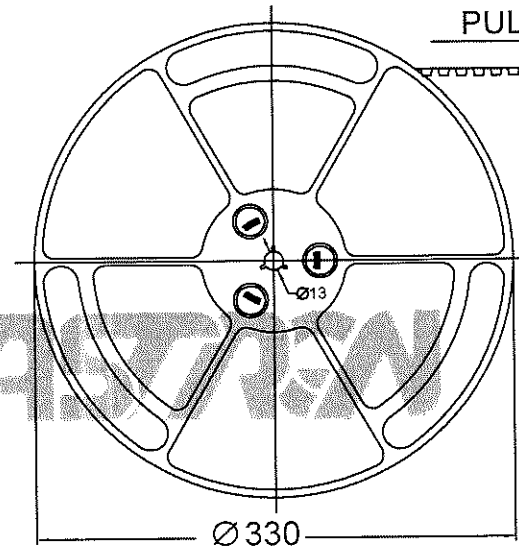
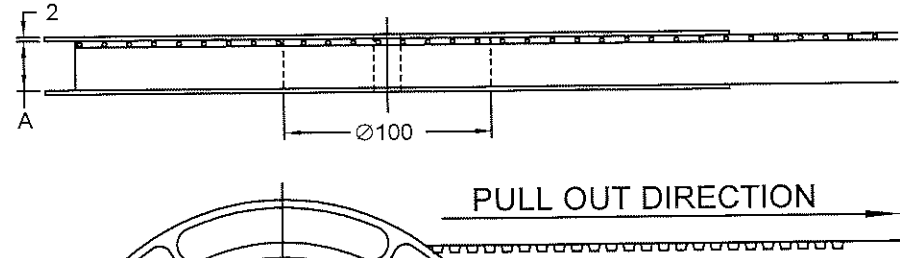
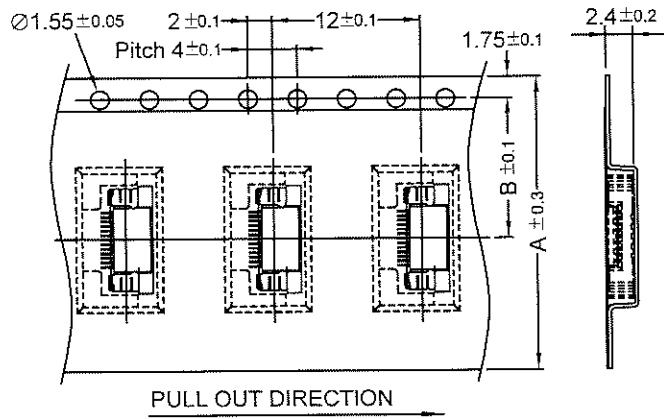
1. Dimension shall be interpreted per ANSI Y14.5M.
2. Materials:
Hosing: Thermoplastic(UL94V-0)
Actuator: Thermoplastic(UL94V-0)
Terminal: Phosphor Bronze.
Stopper: Brass.
3. Harmful material should be compliant to doc. "EI-0005" standards.
4. Product number matrix:
FBEC XX UX AA K
Number of Contacts K: Reel

Plating Code:
Surface area: Plating Sn 80u"~200u".
The bottom layer: Plating Ni 50u"~120u".

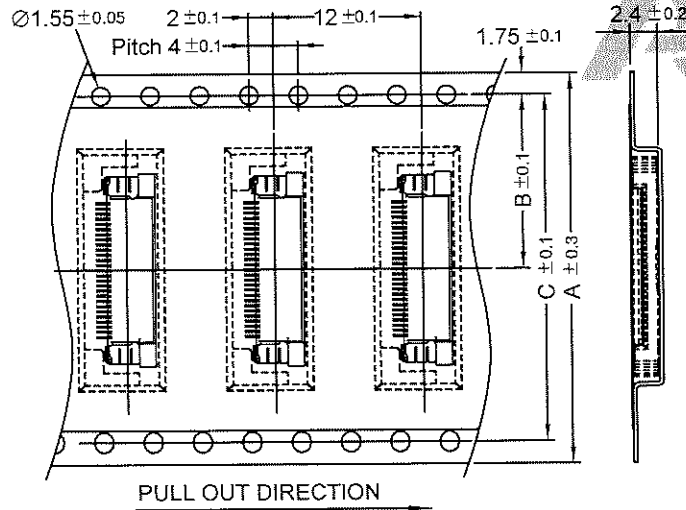
	TOLERANCE TABLE		SCALE 10:1	DRAWN 张文浩	DATE 2020/12/19	DWG. NO. 600-0000-2549	TITLE	REV. 1
	.X ± 0.15	X.° ± 1°	UNIT mm	CHECK 何晓娟	DATE 2020/12/20	PARTS NO.(INTENDED USE) FBECXXUXAAK	CUSTOMER DRAWING	SHEET 1/3
	.XX ± 0.05	.X.° ± 1°	SIZE A4	APPROVE 朱彩群	DATE 2020/12/20			
	.XXX ± 0.01							

A B C D E

Tape width 24 mm



Tape width 32 and 44 mm



Note:

1. 10 sprocket hole pitch cumulative tolerance 0.2mm.
2. Carrier camber is within 1 mm in 100mm.
3. Material : Black Conductive Polystyrene Alloy.
4. All dimensions meet EIA-481-B requirements.
5. Thickness : 0.3±0.05mm.
6. Component load per 13" reel : 2000 pcs.
7. For tape width (dimension A) 24mm a pilot hole is provided on one side.
For tape width (dimension A) 32mm and 44mm pilot holes are provided on both sides.

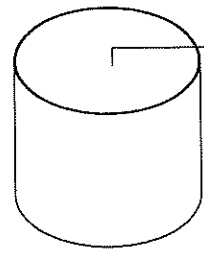
CIRCUIT NO.	DIM A	DIM B	DIM C
04~20	24	11.5	
21~38	32	14.2	28.4
39~60	44	20.2	40.4



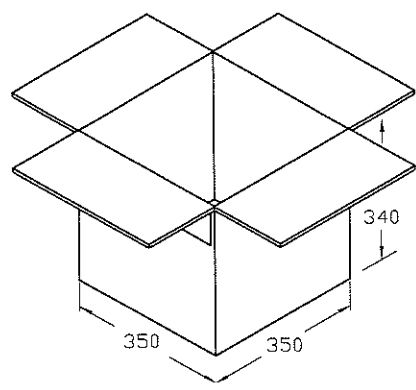
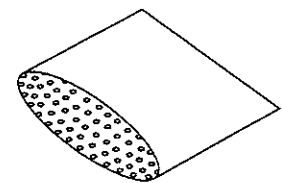
TOLERANCE TABLE	SCALE 10:1		DRAWN	张文浩	DATE	2020/12/19	DWG. NO. 600-0000-2549	TITLE CUSTOMER DRAWING	REV. 1
	.X ± 0.15	X.° ± 1°	UNIT	mm	CHECK	任晓娟			DATE
	.XX ± 0.05	.X° ± 1°	SIZE	A4	APPROVE	朱文辉	DATE	2020/12/20	
	.XXX ± 0.01							PARTS NO.(INTENDED USE) FBECXXUXAAK	

CIRCUIT NO.	外箱	塑膠袋	气泡袋	REEL盘数	总数量
04~20	1	1	09	09	18,000
21~38	1	1	08	08	16,000
39~60	1	1	07	07	14,000

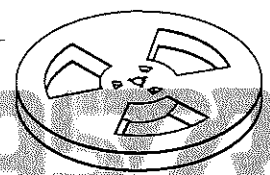
塑膠袋
PLASTIC BAG



氣泡袋
BUBBLE BAG



外箱
CARTON



TAPE & REEL

PLASTREN



TOLERANCE TABLE	
.X ± 0.15	X.° ± 1°
.XX ± 0.05	.X° ± 1°
.XXX ± 0.01	

SCALE	1:1
UNIT	mm
SIZE	A4

DRAWN	张文浩
CHECK	何志明
APPROVE	朱子群

DATE	2020/12/19
DATE	2020/12/20
DATE	2020/12/20

DWG. NO.	600-0000-2549
PARTS NO. (INTENDED USE)	FBECCXXUXAAK

TITLE	CUSTOMER DRAWING
-------	------------------

REV.	1
SHEET	3/3