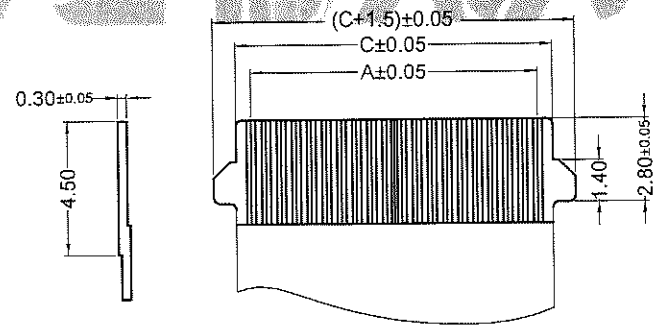
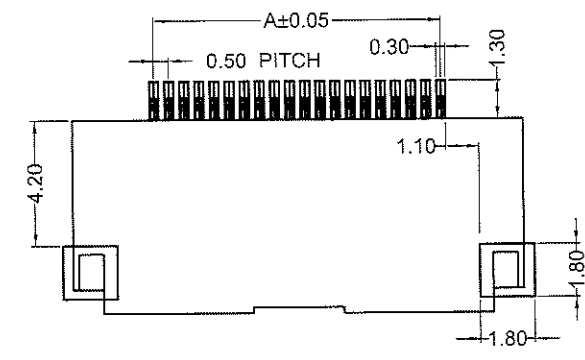
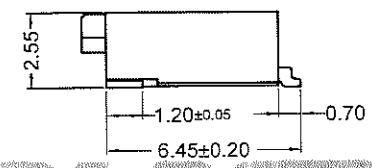
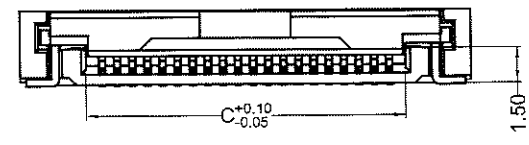
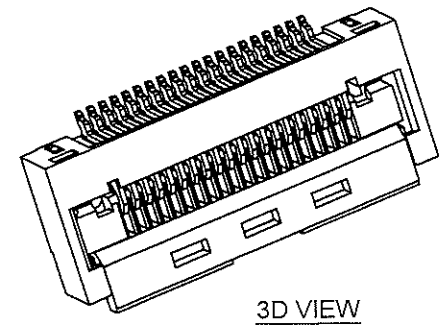
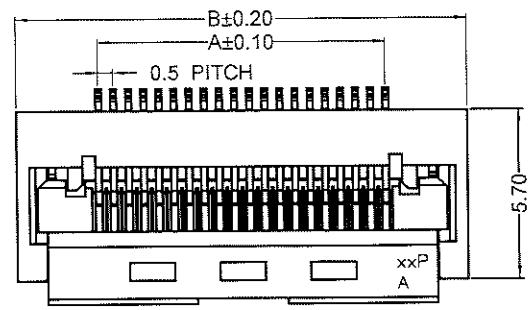


版次	ECN 编码	描述		设计/日期
1	EL24080029	初版发行		张文浩_2015/01/14
		改前	改后	

NOTES: (Unless otherwise specified)

- Dimension shall be interpreted per ANSI Y14.5M.
- Materials:
Housing:LCP UL 94V-0
Actuator:LCP UL 94V-0
Contacts:Copper Alloy
Peg:Copper Alloy
- Current Rating: 0.3 A AC/DC.
- Voltage Rating: 50V AC/DC.
- Working Temperature: -40°C ~ +125°C.
- Harmful material should be compliant to doc. "EI-0005" standards.
- Product number matrix:
FBCA XX CX AA K
Number of Contacts ——— K:Reel
Plating Code:
Surface area:Plating Sn 100u"~120u".
The bottom layer:Plating Ni 50u"~120u".



No. of Contacts	DIM.		
	A	B	C
06	2.50	7.92	3.50
08	3.50	8.92	4.50
09	4.00	9.42	5.00
10	4.50	9.92	5.50
12	5.50	10.92	6.50
20	9.50	14.92	10.50
24	11.50	16.92	12.50
25	12.00	17.42	13.00
26	12.50	17.92	13.50
28	13.50	18.92	14.50
30	14.50	19.92	15.50
40	19.50	24.92	20.50
41	20.00	25.42	21.00
50	24.50	29.92	25.50
60	29.50	34.92	30.50
64	31.50	36.92	32.50
68	34.50	39.92	35.50
80	39.50	44.92	40.50
96	47.50	52.92	48.50

Recommended PCB Layout(Top View)

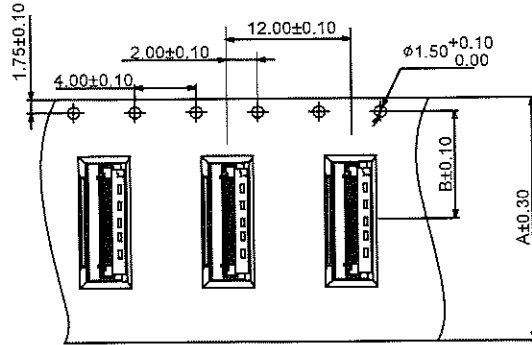
Recommended metal mask pattern(thickness 0.1mm)



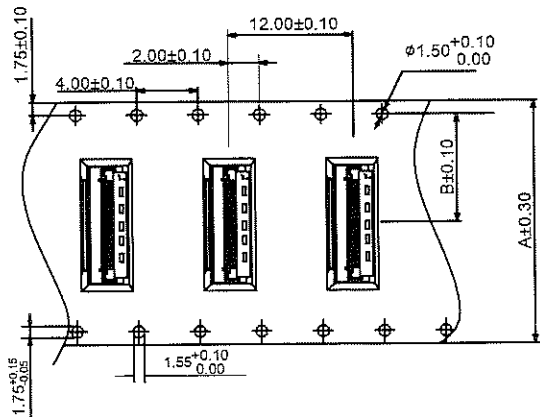
<table border="1"> <tr> <th colspan="2">TOLERANCE TABLE</th> </tr> <tr> <td>X.X ± 0.25</td> <td>X.° ± 3°</td> </tr> <tr> <td>X.XX ± 0.20</td> <td>.X° ± 3°</td> </tr> <tr> <td>X.XXX ± 0.10</td> <td></td> </tr> </table>	TOLERANCE TABLE		X.X ± 0.25	X.° ± 3°	X.XX ± 0.20	.X° ± 3°	X.XXX ± 0.10		SCALE 4:1	DRAWN 张文浩	DATE 2015/01/14	DWG. NO. 600-0000-2546	TITLE	REV. 1
	TOLERANCE TABLE													
	X.X ± 0.25	X.° ± 3°												
	X.XX ± 0.20	.X° ± 3°												
X.XXX ± 0.10														
UNIT mm	CHECK 何文娟	DATE 2015/01/15	PARTS NO.(INTENDED USE) FBGAXXCXBAK	CUSTOMER DRAWING	SHEET 1/2									
SIZE A4	APPROVE 朱文祥	DATE 2015/01/15												

A B C D E

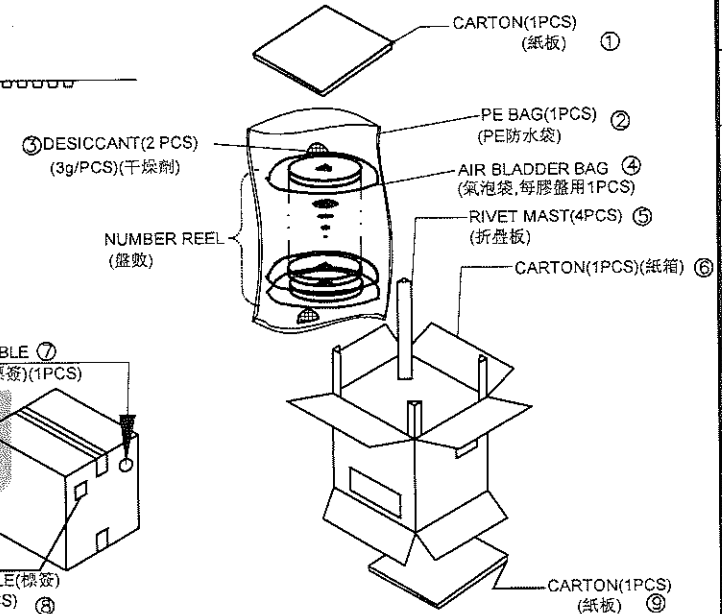
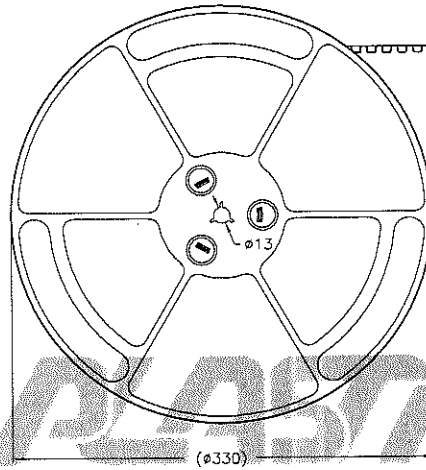
Tape width 16 and 24 mm



Tape width 32 and 56 mm



REEL Dim



MEAS: 35*35*35 CM

Notes:

1. Component load per 13" reel: 1500 Pcs
2. Material : Black Conductive Polystyrene Alloy.
3. Thickness : 0.3±0.05mm
4. All dimensions meet EIA-481-C requirements.

产品料号 (Product No.)	尺寸(Dimension)			包装容量(Packing capacity)	
	A	B	C	REELS/CARTON	PCS/CARTON
FBGA04~09CXBAK	16.00	7.50	/	15	22500
FBGA10~24CXBAK	24.00	11.50	/	10	15000
FBGA25~35CXBAK	32.00	14.20	28.40	8	12000
FBGA36~50CXBAK	44.00	20.20	40.40	6	9000
FBGA51~80CXBAK	56.00	26.25	52.50	5	7500



TOLERANCE TABLE	SCALE 1:1		DRAWN 张文浩	DATE 2015/01/14	DWG. NO. 600-0000-2546		TITLE	REV. 1
	X.X ± 0.25	X.° ± 3°			PARTS NO. (INTENDED USE)			
	UNIT mm		CHECK 宋方祥	DATE 2015/01/15	FBGAXXCXBAK		SHEET 2/2	
	X.XX ± 0.20	X.° ± 3°			APPROVE	DATE 2015/01/15		
X.XXX ± 0.10		SIZE A4						

A

B

C

D

E