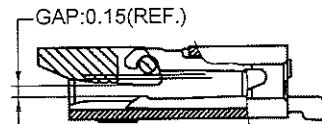
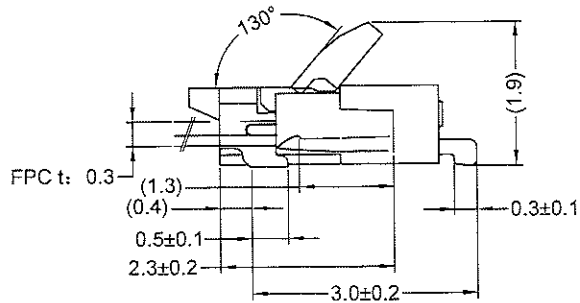
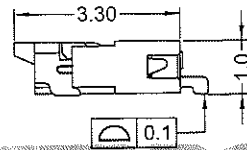
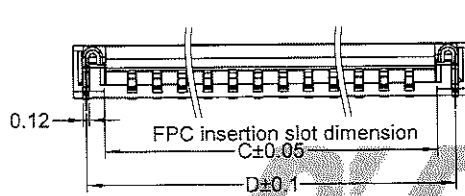
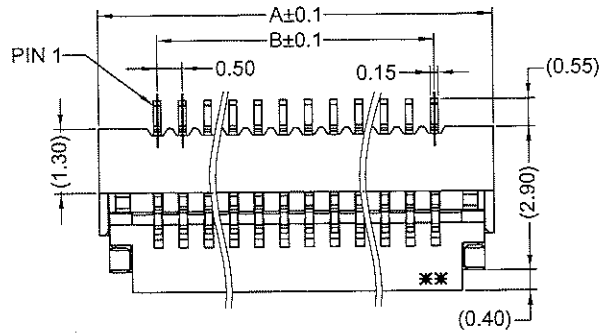


No. of Contacts	DIM.			
	A	B	C	D
4	3.83	1.5	2.6	3.33
5	4.33	2.0	3.1	3.83
6	4.83	2.5	3.6	4.33
7	5.33	3.0	4.1	4.83
8	5.83	3.5	4.6	5.33
9	6.33	4.0	5.1	5.83
10	6.83	4.5	5.6	6.33
11	7.33	5.0	6.1	6.83
12	7.83	5.5	6.6	7.33
13	8.33	6.0	7.1	7.83
14	8.83	6.5	7.6	8.33
15	9.33	7.0	8.1	8.83
16	9.83	7.5	8.6	9.33
17	10.33	8.0	9.1	9.83
18	10.83	8.5	9.6	10.33
19	11.33	9.0	10.1	10.83
20	11.83	9.5	10.6	11.33
21	12.33	10.0	11.1	11.83
22	12.83	10.5	11.6	12.33
23	13.33	11.0	12.1	12.83
24	13.83	11.5	12.6	13.33
25	14.33	12.0	13.1	13.83
26	14.83	12.5	13.6	14.33
27	15.33	13.0	14.1	14.83
28	15.83	13.5	14.6	15.33
29	16.33	14.0	15.1	15.83
30	16.83	14.5	15.6	16.33
31	17.33	15.0	16.1	16.83
32	17.83	15.5	16.6	17.33
33	18.33	16.0	17.1	17.83
34	18.83	16.5	17.6	18.33
35	19.33	17.0	18.1	18.83
36	19.83	17.5	18.6	19.33
37	20.33	18.0	19.1	19.83
38	20.83	18.5	19.6	20.33
39	21.33	19.0	20.1	20.83
40	21.83	19.5	20.6	21.33
41	22.33	20.0	21.1	21.83
42	22.83	20.5	21.6	22.33
43	23.33	21.0	22.1	22.83
44	23.83	21.5	22.6	23.33
45	24.33	22.0	23.1	23.83
46	24.83	22.5	23.6	24.33
47	25.33	23.0	24.1	24.83
48	25.83	23.5	24.6	25.33
49	26.33	24.0	25.1	25.83
50	26.83	24.5	25.6	26.33



SCALE 15:1

版次	ECN 编码	描述		设计/日期
1	EL24080027	初版发行		张文浩_2012/05/24
		改前	改后	

- NOTES: (Unless otherwise specified)
1. Dimension shall be interpreted per ANSI Y14.5M.
 2. Materials:
Housing: LCP(UL 94V-0)
Actuator: LCP(UL 94V-0)
Terminal: Copper Alloy
Solder Pin: Copper Alloy
 3. Harmful material should be compliant to doc. "EI-0005" standards.
 4. Product number matrix:

FBBA XX C X BA K
Number of Contacts ——— K: Reel

Plating Code:
Surface area: Plating Gold flash.
The bottom layer: Plating Ni 50u" ~ 120u".



TOLERANCE TABLE	
X.X ± 0.25	X° ± 3°
X.XX ± 0.15	.X° ± 3°

SCALE	5:1
UNIT	mm
SIZE	A4

DRAWN	张文浩
CHECK	何文娟
APPROVE	朱文辉

DATE	2012/05/24
DATE	2012/05/25
DATE	2012/05/25

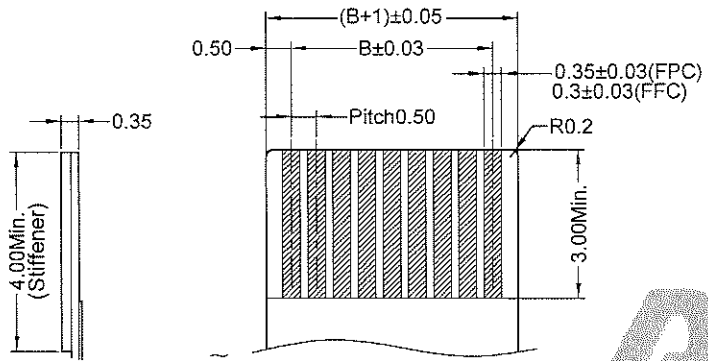
DWG. NO.	600-0000-2532
PARTS NO.(INTENDED USE)	FBBAXXCXBAK

TITLE	CUSTOMER DRAWING
-------	------------------

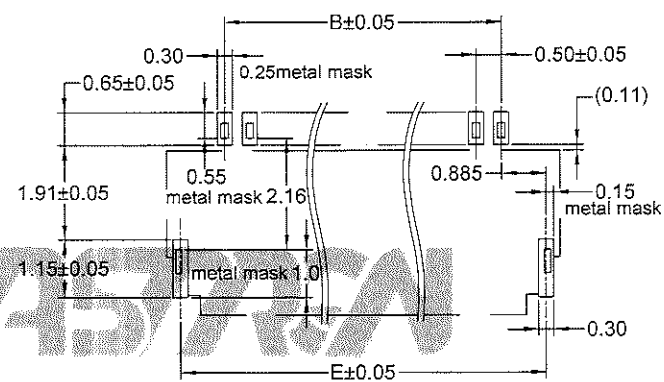
REV.	1
SHEET	1/3

A B C D E

No. of Contacts	DIM.	
	B	E
4	1.5	3.27
5	2.0	3.77
6	2.5	4.27
7	3.0	4.77
8	3.5	5.27
9	4.0	5.77
10	4.5	6.27
11	5.0	6.77
12	5.5	7.27
13	6.0	7.77
14	6.5	8.27
15	7.0	8.77
16	7.5	9.27
17	8.0	9.77
18	8.5	10.27
19	9.0	10.77
20	9.5	11.27
21	10.0	11.77
22	10.5	12.27
23	11.0	12.77
24	11.5	13.27
25	12.0	13.77
26	12.5	14.27
27	13.0	14.77
28	13.5	15.27
29	14.0	15.77
30	14.5	16.27
31	15.0	16.77
32	15.5	17.27
33	16.0	17.77
34	16.5	18.27
35	17.0	18.77
36	17.5	19.27
37	18.0	19.77
38	18.5	20.27
39	19.0	20.77
40	19.5	21.27
41	20.0	21.77
42	20.5	22.27
43	21.0	22.77
44	21.5	23.27
45	22.0	23.77
46	22.5	24.27
47	23.0	24.77
48	23.5	25.27
49	24.0	25.77
50	24.5	26.27



Recomenend FPC,FFC Dim.

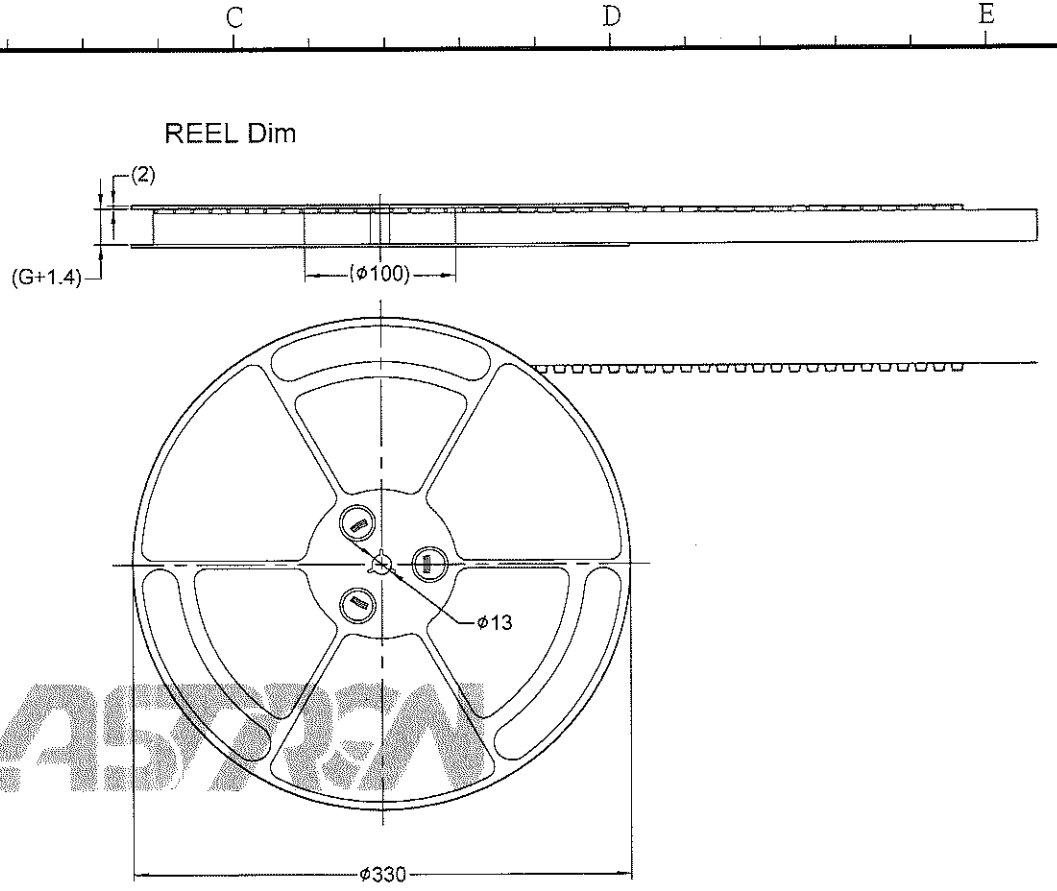
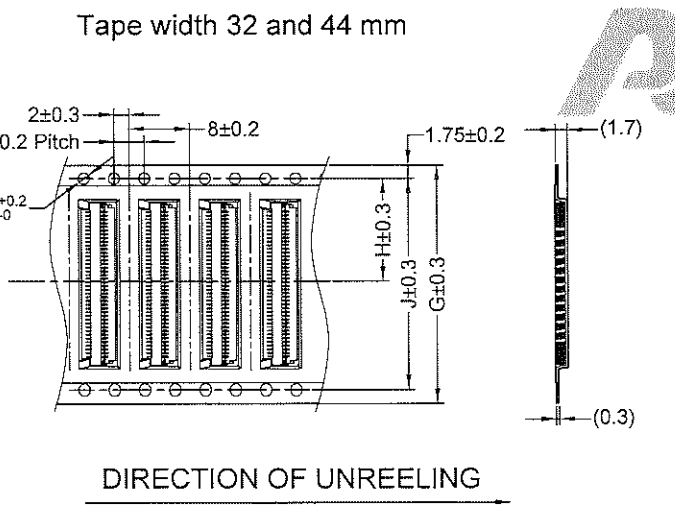
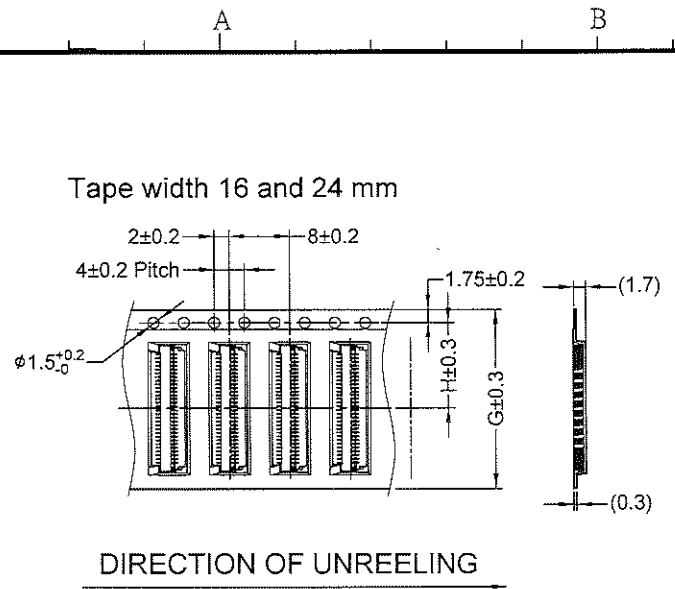


Recommended PCB Layout(Top View)

Recommended metal mask pattern(thickness 0.1mm)

	TOLERANCE TABLE		SCALE 5:1	DRAWN 张文浩	DATE 2012/05/24	DWG. NO. 600-0000-2532	TITLE CUSTOMER DRAWING	REV. 1
	X.X ± 0.25	X° ± 3°	UNIT mm	CHECK 宋子梅	DATE 2012/05/25	PARTS NO.(INTENDED USE) FBBAXXCXBAK		SHEET 2/3
	X.XX ± 0.15	X° ± 3°	SIZE A4	APPROVE 宋子梅	DATE 2012/05/25			

A B C D E



Notes:
 1.PER REEL : 5000pcs.
 2.Material : Black Conductive Polystyrene Alloy.
 3.Thickness : 0.3±0.05mm.
 4.All dimensions meet EIA-481-C requirements.

产品料号 (Product No.)	尺寸(Dimension)		
	G	H	J
FBBA04~ 07CXBAK	12.00	5.50	/
FBBA08~ 15CXBAK	16.00	7.50	/
FBBA16~ 30CXBAK	24.00	11.50	/
FBBA31~ 38CXBAK	32.00	14.20	28.40
FBBA39~ 50CXBAK	44.00	20.20	40.40

	TOLERANCE TABLE		SCALE 2.5:1	DRAWN 张文浩	DATE 2012/05/24	DWG. NO. 600-0000-2532	TITLE	REV. 1
	X.X ± 0.25	X.° ± 3°	UNIT mm	CHECK 任文成	DATE 2012/05/25	PARTS NO.(INTENDED USE) FBBAXXCXBAK	CUSTOMER DRAWING	SHEET 3/3
	X.XX ± 0.15	X.° ± 3°	SIZE A4	APPROVE 朱文辉	DATE 2012/05/25			

A B C D E