

版次	ECN 编码	描述	设计/日期
1	EL24080026	初版发行	张文浩_2013/06/18
		改前	改后

- NOTES: (Unless otherwise specified)
- Dimension shall be interpreted per ANSI Y14.5M.
  - Materials:  
Housing:LCP(UL 94V-0) Color:Black or White.  
Actuator:LCP or PA6T (UL 94V-0) Color:Black.  
Contact:Phosphor Bronze.  
Leg:Phosphor Bronze.
  - Current Rating: 0.2A AC/DC.
  - Voltage Rating: 30V AC/DC.
  - Working Temperature: -55°C ~ +85°C.
  - Harmful material should be compliant to doc. "EI-0005" standards.
  - Product number matrix:

FABB XX RX BA K  
 Number of Contacts—  
 Plating Code:  
 Surface area:Plating Gold flash.  
 The bottom layer:Plating Ni 50u" ~120u".

No. of Contacts	Dimension					
	A	B	C	D	E	F
09	4.90	1.80	2.40	3.03	4.35	3.00
11	5.50	2.40	3.00	3.63	4.95	3.60
13	6.10	3.00	3.60	4.23	5.55	4.20
15	6.70	3.60	4.20	4.83	6.15	4.80
17	7.30	4.20	4.80	5.43	6.75	5.40
19	7.90	4.80	5.40	6.03	7.35	6.00
21	8.50	5.40	6.00	6.63	7.95	6.60
23	9.10	6.00	6.60	7.23	8.55	7.20
25	9.70	6.60	7.20	7.83	9.15	7.80
27	10.30	7.20	7.80	8.43	9.75	8.40
29	10.90	7.80	8.40	9.03	10.35	9.00
31	11.50	8.40	9.00	9.63	10.95	9.60
33	12.10	9.00	9.60	10.23	11.55	10.20
35	12.70	9.60	10.20	10.83	12.15	10.80
37	13.30	10.20	10.80	11.43	12.75	11.40
39	13.90	10.80	11.40	12.03	13.35	12.00
41	14.50	11.40	12.00	12.63	13.95	12.60
43	15.10	12.00	12.60	13.23	14.55	13.20
45	15.70	12.60	13.20	13.83	15.15	13.80
47	16.30	13.20	13.80	14.43	15.75	14.40
49	16.90	13.80	14.40	15.03	16.35	15.20
51	17.50	14.40	15.00	15.63	16.95	15.60

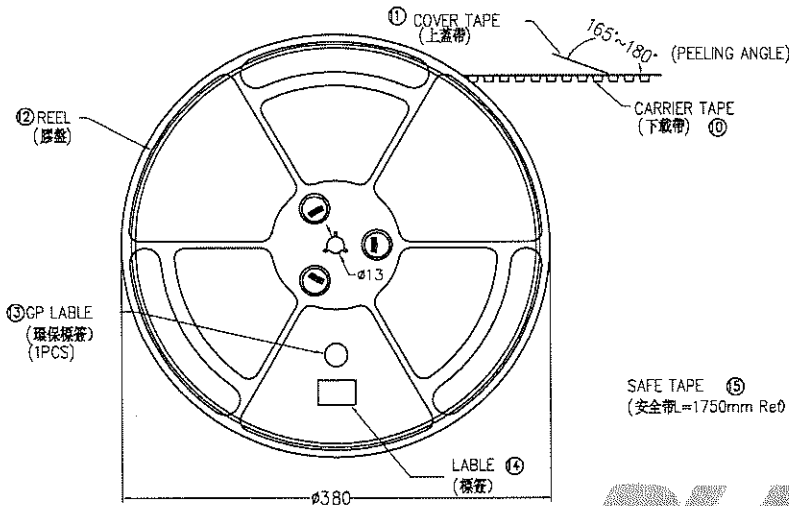
Long Cover type

	TOLERANCE TABLE		SCALE 4:1	DRAWN 张文浩	DATE 2013/06/18	DWG. NO. 600-0000-2533	TITLE	REV. 1
	X.X ± 0.30	X.X° ± 5°	UNIT mm	CHECK 任子明	DATE 2013/06/19	PARTS NO.(INTENDED USE) FABBXXRXBAK	CUSTOMER DRAWING	SHEET 1/2
	X.XX ± 0.20	X.XX° ± 2°	SIZE A4	APPROVE 朱子辉	DATE 2013/06/19			

# EMBOSSED TAPE PACKING

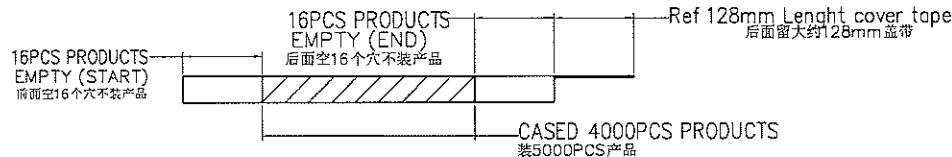
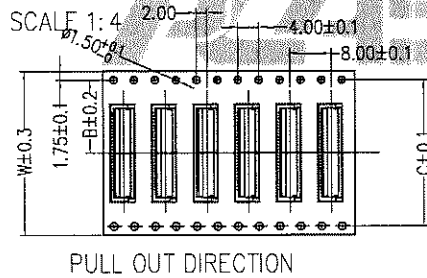
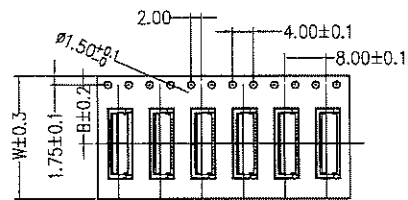
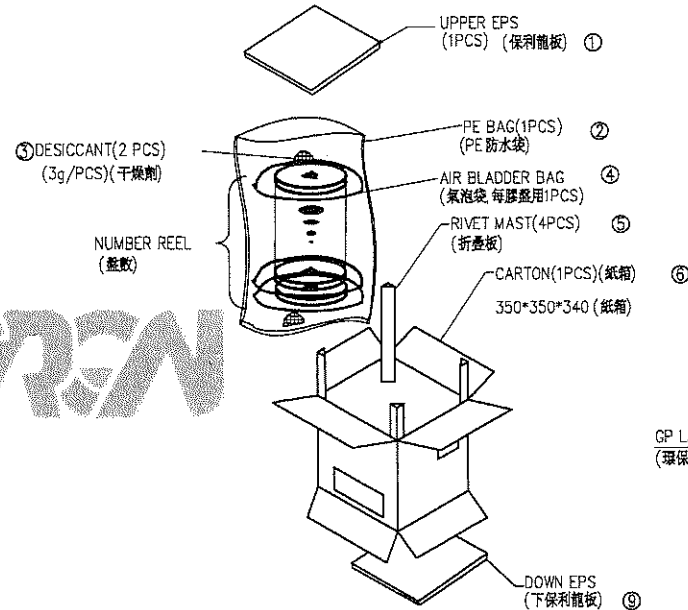
FPC 0.3Pitch 1.0H ZIF R/A Double Contact  
Connector SMT Type

PULL OUT DIRECTION



## NOTE:

- 1.10 Sprocket hole pitch cumulative tolerance  $\pm 0.20$ .
2. Carrier camber is within 1mm in 100mm.
3. Material: black conductive polystyrene alloy.
4. Material Thickness:  $0.3 \pm 0.05$ mm.
5. All dimensions meet EIA-481-B requirements.
6. 4000pcs Pef Reel.
7. For tape width (dim W) 12, 16 and 24mm pilot holes are provided on one sides. For tape width (dim W) 32, 44mm pilot holes are provided on both sides.



产品料号 (Product No.)	尺寸(Dimension)				包装容量(Packing capacity)		
	W	A	B	C	PCS/REEL	REELS/CARTON	PCS/CARTON
FABB09~21RXBAK	16.00	20.50	7.50		4000	13	52000
FABB23~45RXBAK	24.00	28.50	11.50		4000	10	40000
FABB51RXBAK	32.00	36.50	14.20	28.40	4000	8	32000



TOLERANCE TABLE	
X.X ± 0.30	X.X° ± 5°
X.XX ± 0.20	X.XX° ± 2°

SCALE	2.5:1
UNIT	mm
SIZE	A4

DRAWN	张文浩
CHECK	何志明
APPROVE	朱文辉

DATE	2013/06/18
DATE	2013/06/19
DATE	2013/06/19

DWG. NO.	600-0000-2533
PARTS NO.(INTENDED USE)	FABBXXRXBAK

TITLE	CUSTOMER DRAWING
-------	------------------

REV.	1
SHEET	2/2