

版次	ECN 编码	描述		设计/日期
1	EL24080025	初版发行		张文浩_2010/06/24
		改前	改后	

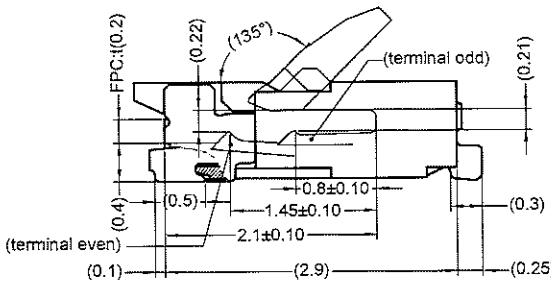
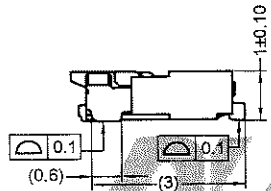
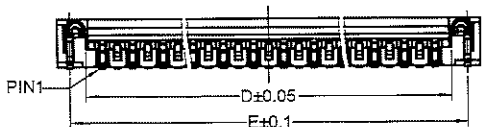
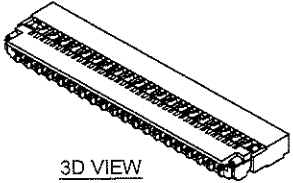
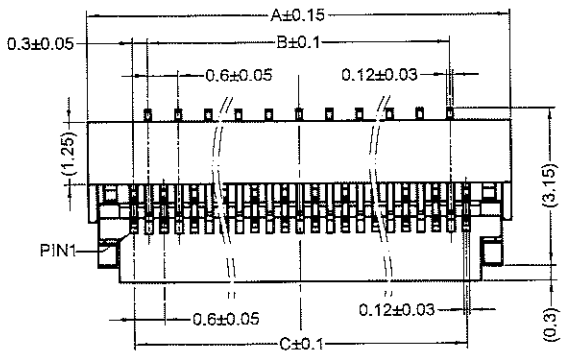
- NOTES: (Unless otherwise specified)
- Dimension shall be interpreted per ANSI Y14.5M.
 - Materials:
Housing:LCP(UL 94V-0)
Actuator:LCP(UL 94V-0)
Terminal:Copper Alloy
Solder Pin:Copper Alloy
 - Harmful material should be compliant to doc. "EI-0005" standards.
 - Product number matrix:

FABA XX C X BA K

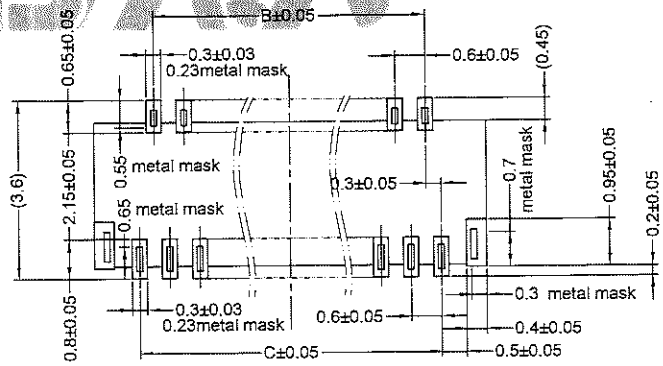
Number of Contacts

K:Reel

Plating Code:
Surface area:Plating Gold flash.
The bottom layer:Plating Ni 50u" ~ 120u".



SCALE 2:1



RECOMMENDED PCB LAYOUT

No. of Contacts	DIM.				
	A	B	C	D	E
09	4.2	1.8	2.4	3.03	3.7
11	4.8	2.4	3.0	3.63	4.3
13	5.4	3.0	3.6	4.23	4.9
15	6.0	3.6	4.2	4.83	5.5
17	6.6	4.2	4.8	5.43	6.1
19	7.2	4.8	5.4	6.03	6.7
21	7.8	5.4	6.0	6.63	7.3
23	8.4	6.0	6.6	7.23	7.9
25	9.0	6.6	7.2	7.83	8.5
27	9.6	7.2	7.8	8.43	9.1
29	10.2	7.8	8.4	9.03	9.7
31	10.8	8.4	9.0	9.63	10.3
33	11.4	9.0	9.6	10.23	10.9
35	12.0	9.6	10.2	10.83	11.5
37	12.6	10.2	10.8	11.43	12.1
39	13.2	10.8	11.4	12.03	12.7
41	13.8	11.4	12.0	12.63	13.3
43	14.4	12.0	12.6	13.23	13.9
45	15.0	12.6	13.2	13.83	14.5
49	16.2	13.8	14.4	15.03	15.7
51	16.8	14.4	15.0	15.63	16.3
57	18.6	16.2	16.8	17.43	18.1
61	19.8	17.4	18.0	18.63	19.3
67	21.6	19.2	19.8	20.43	21.1
71	22.8	20.4	21.0	21.63	22.3



TOLERANCE TABLE	
XX ± 0.25	X° ± 3°
X.XX ± 0.15	.X° ± 3°

SCALE	5:1
UNIT	mm
SIZE	A4

DRAWN
CHECK
APPROVE

张文浩
150624
朱子辉

DATE	2010/06/24
DATE	2010/06/25
DATE	2010/06/25

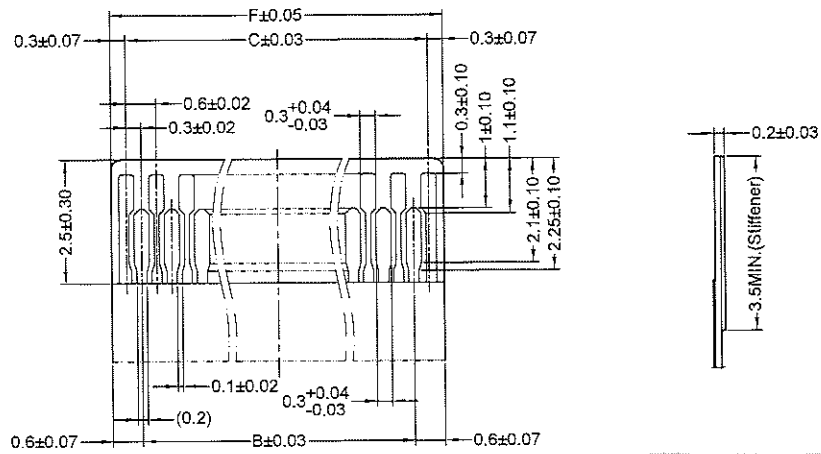
DWG. NO.
600-0000-2534
PARTS NO.(INTENDED USE)
FABAXXCXBAK

TITLE
CUSTOMER DRAWING

REV.
1
SHEET
1/3

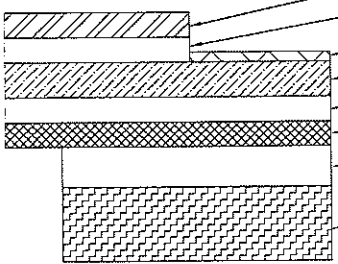
A B C D E

Recomenend FPC



PLASTREN

Recomenend FPC Construction



Materoaial name	Material	Thickness (mm)
Covering film layer & Cover adhesive	Polyamide	0.025
Surface teratment	Plating treatment	0.005
Copper foil	Cu	0.035
Base adhesive	Heat-Hardened adhesive	0.025
Base flim	Polyamide	0.025
Reinforcement material adhesive	Heat-Hardened adhesive	0.040
Stiffener	Polyamide	0.075

No.of Contacts	DIM.		
	B	C	F
09	1.8	2.4	3.0
11	2.4	3.0	3.6
13	3.0	3.6	4.2
15	3.6	4.2	4.8
17	4.2	4.8	5.4
19	4.8	5.4	6.0
21	5.4	6.0	6.6
23	6.0	6.6	7.2
25	6.6	7.2	7.8
27	7.2	7.8	8.4
29	7.8	8.4	9.0
31	8.4	9.0	9.6
33	9.0	9.6	10.2

No.of Contacts	DIM.		
	B	C	F
35	9.6	10.2	10.8
37	10.2	10.8	11.4
39	10.8	11.4	12.0
41	11.4	12.0	12.6
43	12.0	12.6	13.2
45	12.6	13.2	13.8
49	13.8	14.4	15.0
51	14.4	15.0	15.6
57	16.2	16.8	17.4
61	17.4	18.0	18.6
67	19.2	19.8	20.4
71	20.4	21.0	21.6

PLASTREN

TOLERANCE TABLE	
X ± 0.25	X° ± 3°
X.XX ± 0.15	.X° ± 3°

SCALE	5:1
UNIT	mm
SIZE	A4

DRAWN	张文浩
CHECK	何晓娟
APPROVE	朱宇科

DATE	2010/06/24
DATE	2010/06/25
DATE	2010/06/25

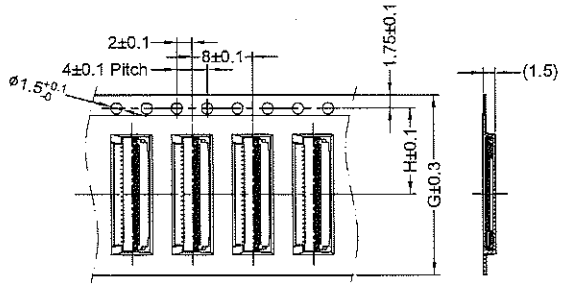
DWG. NO.	600-0000-2534
PARTS NO.(INTENDED USE)	FABAXXCXBAK

TITLE	CUSTOMER DRAWING
-------	------------------

REV.	1
SHEET	2/3

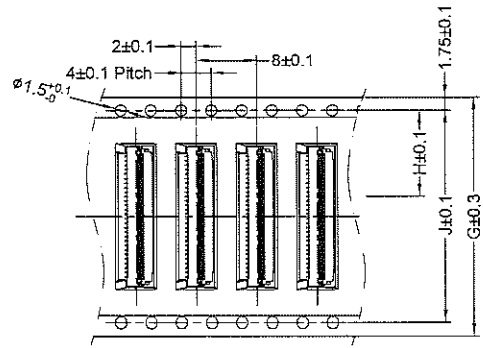
A B C D E

Tape width 16 and 24 mm



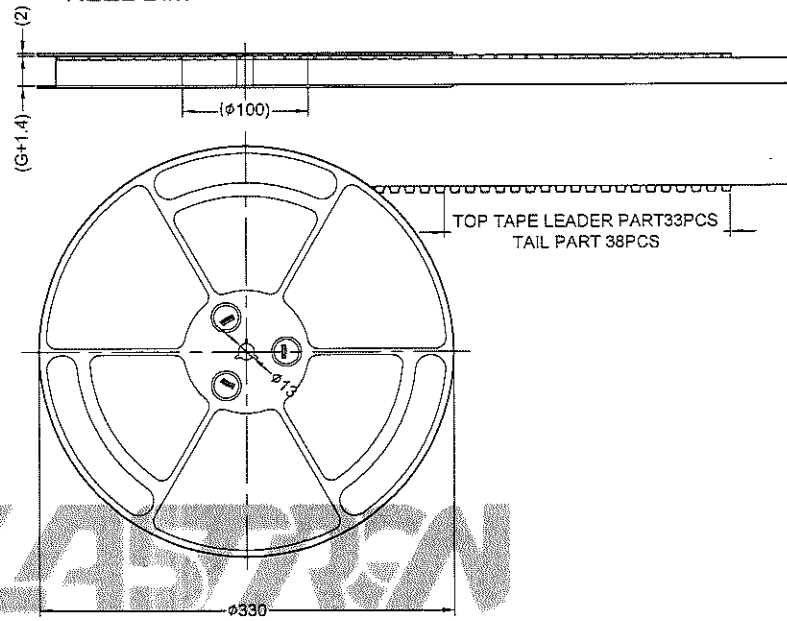
DIRECTION OF UNREELING

Tape width 32 and 44 mm



DIRECTION OF UNREELING

REEL Dim



PLASTREN

Notes:

- 1.PER REEL : 5000pcs.
- 2.Material : Black Conductive Polystyrene Alloy.
- 3.Thickness : 0.3±0.05mm.
- 4.All dimensions meet EIA-481-C requirements.

产品料号 (Product No.)	尺寸(Dimension)		
	G	H	J
FABA09~25CXBAK	16.00	7.50	/
FABA27~51CXBAK	24.00	11.50	/
FABA57~67CXBAK	32.00	14.20	28.40
FABA71CXBAK	44.00	20.20	40.40

PLASTREN

TOLERANCE TABLE	
X.X ± 0.25	X.° ± 3°
X.XX ± 0.15	X.° ± 3°

SCALE	5:1
UNIT	mm
SIZE	A4

DRAWN	张文浩
CHECK	任晓明
APPROVE	朱文辉

DATE	2010/06/24
DATE	2010/06/25
DATE	2010/06/25

DWG. NO.	600-0000-2534
PARTS NO.(INTENDED USE)	FABAXXCXBAK

TITLE	CUSTOMER DRAWING
-------	------------------

REV.	1
SHEET	3/3

A

B

C

D

E