

A

B

C

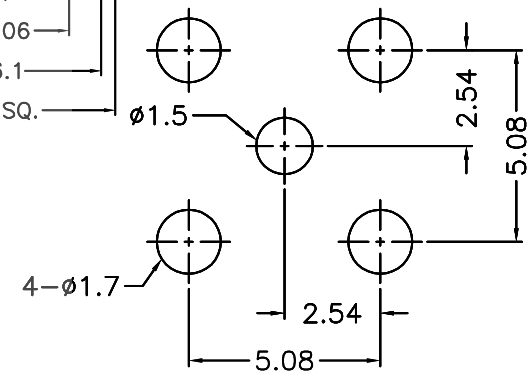
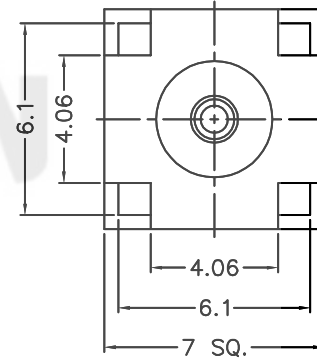
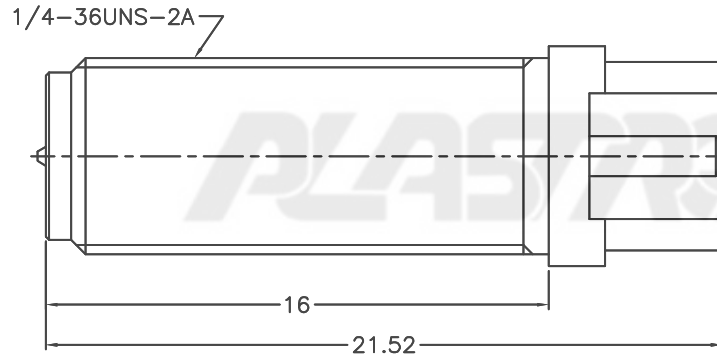
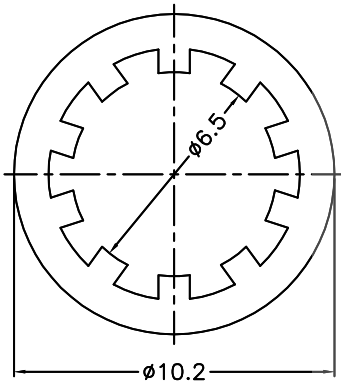
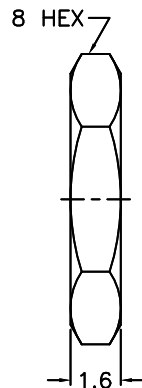
D

E

版次	ECN 编码	描述		设计/日期
1	EL24060036	初版发行		江蒙_2024/06/03
		改前	改后	

NOTES: FINISH(PLATING THICKNESS IN MICRO-INCHES)
 1.BRASS
 2.THIN GOLD OVER NICKEL PL 50 MIN. THICK OVER COPPER PL.50 MIN.THICK
 3.GOLD PL. 3 MIN.THICK OVER NICKEL PL.50 MIN.THICK OVER COPPER PL.50 MIN.THICK
 4.TEFLON

JFCGBRBXX
 F:RF
 C:超小型
 G:SMA
 B:Beryllium Copper
 A: Gold Flash
 D:3u"
 G:10u"
 L:30u"
 B:Gold Plating



RoHS COMPLIANT

PCB MOUNTING HOLE



TOLERANCE TABLE		SCALE	2.5:1	DRAWN	江蒙	DATE	2024/06/03	DWG. NO.	600-0000-2481	TITLE	REV.
X. ± 0.30	X.° ± 3°	UNIT	mm	CHECK	李晨涛	DATE	2024/06/03	PARTS NO.(INTENDED USE)	JFCGBRBXX	SMA REVERSE POLARITY P.C.B. JACK CUSTOMER DRAWING	1
.X ± 0.25	.X° ± 2°	SIZE	A4	APPROVE	朱宁静	DATE	2024/06/03				SHEET
.XX ± 0.20											

A

B

C

D

E