

A

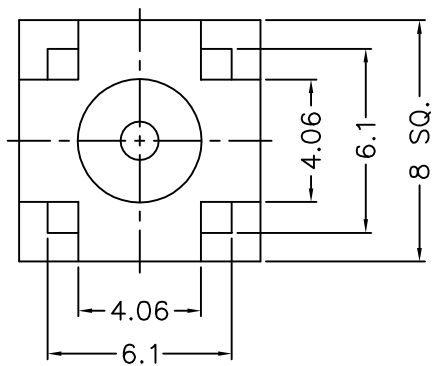
B

C

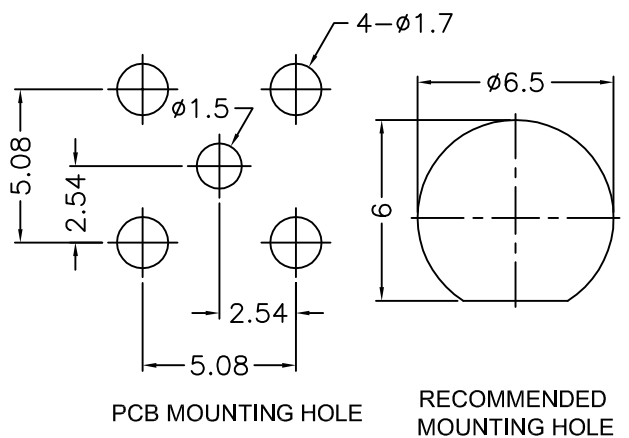
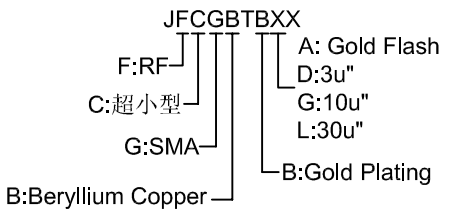
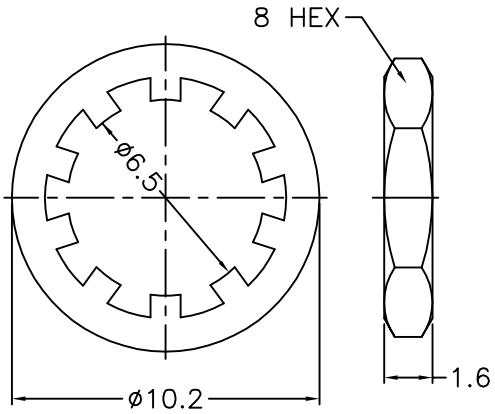
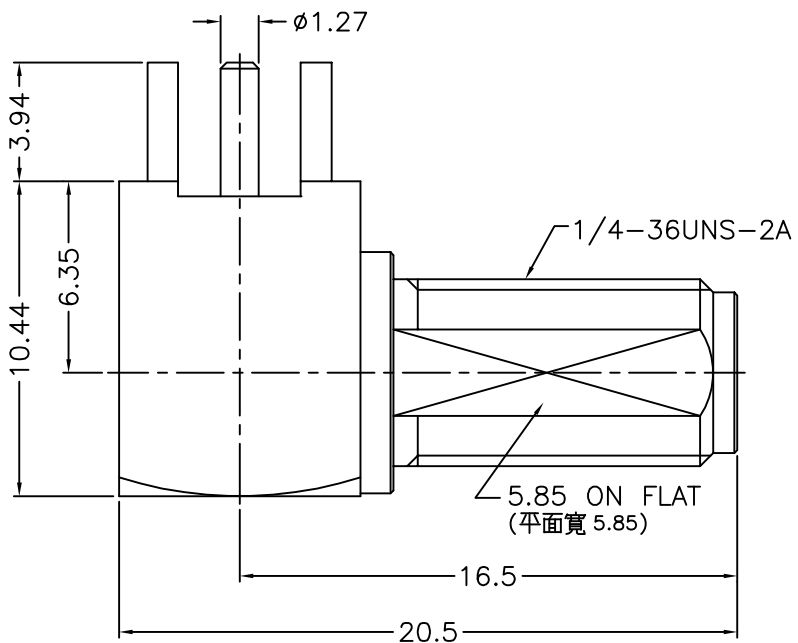
D

E

版次	ECN 编码	描述		设计/日期
1	EL24060034	初版发行		江蒙_2024/06/03
		改前	改后	



NOTES: FINISH(PLATING THICKNESS IN MICRO-INCHES)
 1.BRASS
 2.THIN GOLD OVER NICKEL PL.50 MIN. THICK OVER COPPER PL.50 MIN.THICK
 3.BERYLLIUM COPPER
 4.GOLD PL. 3 MIN.THICK OVER NICKEL PL.50 MIN.THICK OVER COPPER PL.50 MIN.THICK
 5.PTFE



TOLERANCE TABLE		SCALE	DRAWN	DATE	DWG. NO.	TITLE	REV.
X. ± 0.30	X.° ± 3°	2.5:1	江蒙	2024/06/03	600-0000-2479	SMA R/A BULKHEAD P.C. MOUNT JACK CUSTOMER DRAWING	1
.X ± 0.25	.X° ± 2°	UNIT mm	李晨涛	2024/06/03			PARTS NO.(INTENDED USE)
.XX ± 0.20		SIZE A4	朱宁静	2024/06/03	JFCGBTBXX		1/1

A

B

C

D

E