

A

B

C

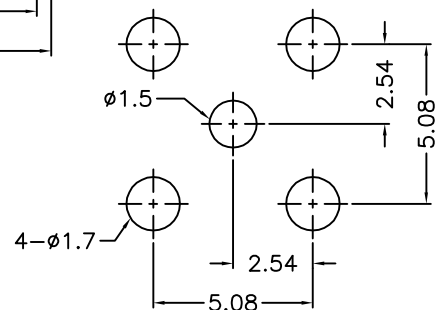
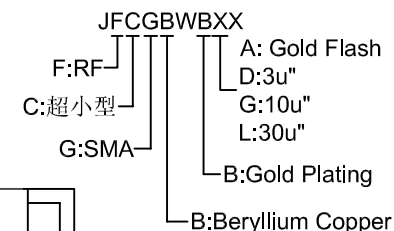
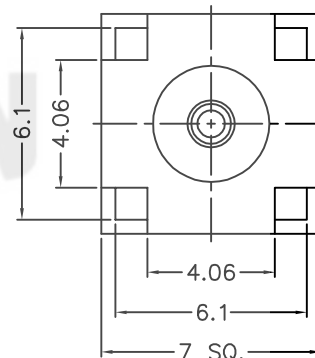
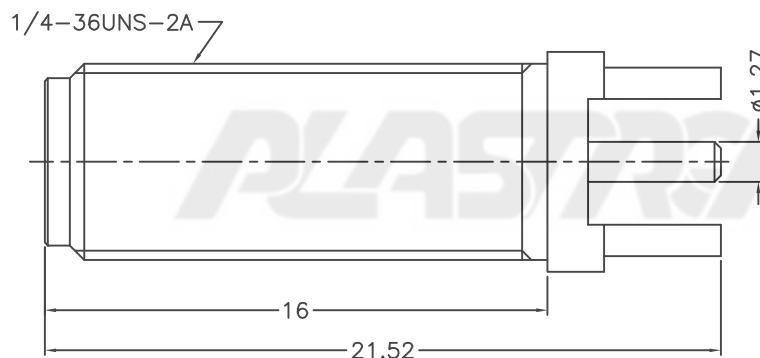
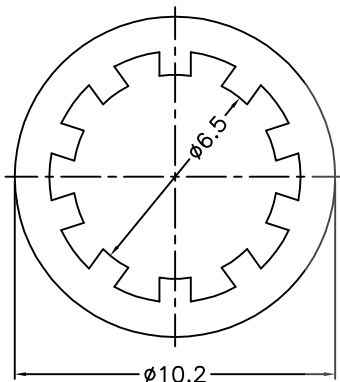
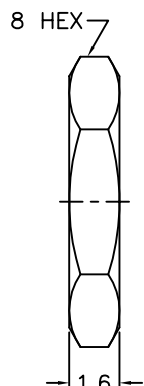
D

E

版次	ECN 编码	描述		设计/日期
1	EL24060031	初版发行		江蒙_2024/06/03
		改前	改后	

NOTES: FINISH(PLATING THICKNESS IN MICRO-INCHES)

- 1.BRASS
- 2.THIN GOLD OVER NICKEL PL.50 MIN.THICK OVER COPPER PL.50 MIN.THICK
- 2.BERYLLIUM COPPER
- 3.GOLD PL. 3 MIN.THICK OVER NICKEL PL.50 MIN.THICK OVER COPPER PL.50 MIN.THICK
- 4.TEFLON



PCB MOUNTING HOLE

RoHS COMPLIANT



TOLERANCE TABLE		SCALE	DRAWN	DATE	DWG. NO.	TITLE	REV.
X. $\pm$ 0.30	X. $^{\circ}$ $\pm$ 3 $^{\circ}$	2.5:1	江蒙	2024/06/03	600-0000-2476	SMA P.C.B. JACK CUSTOMER DRAWING	1
.X $\pm$ 0.25	.X $^{\circ}$ $\pm$ 2 $^{\circ}$	UNIT mm	李晨涛	2024/06/03			PARTS NO.(INTENDED USE)
.XX $\pm$ 0.20		SIZE A4	朱宁静	2024/06/03	JFCGBWBXX		1/1

A

B

C

D

E