

A

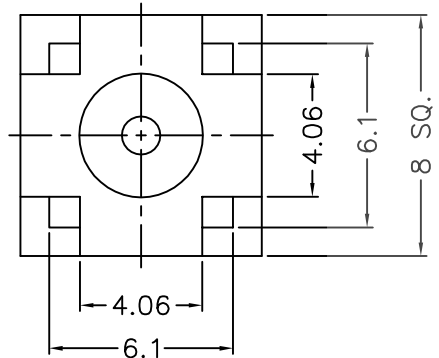
B

C

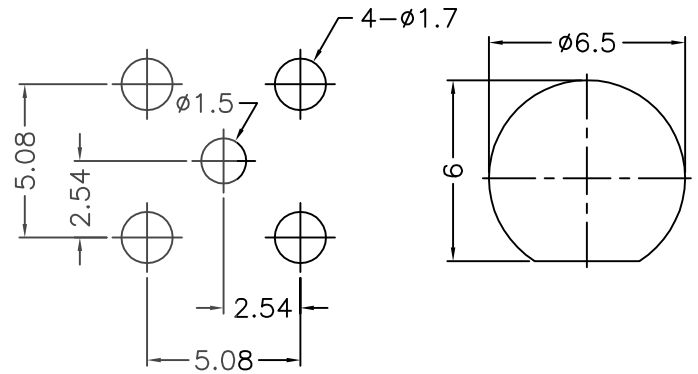
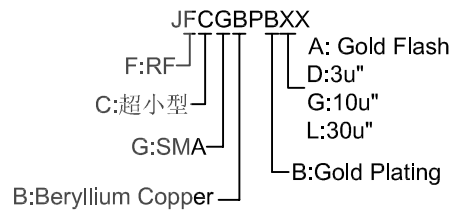
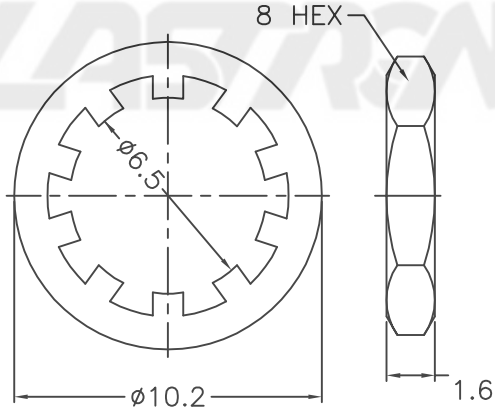
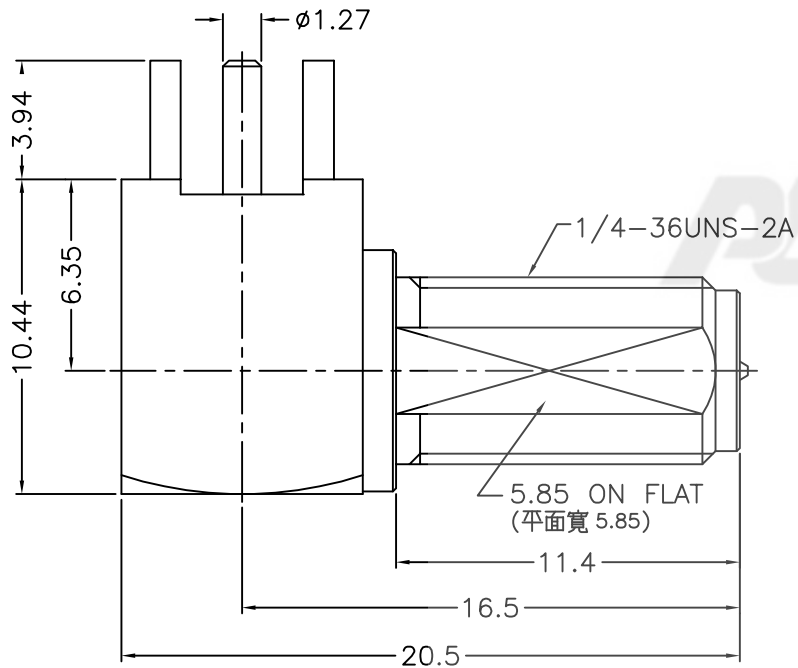
D

E

版次	ECN 编码	描述		设计/日期
1	EL24060029	初版发行		江蒙_2024/06/03
		改前	改后	



NOTES: FINISH(PLATING THICKNESS IN MICRO-INCHES)  
 1.BRASS  
 2.THIN GOLD OVER NICKEL PL.50 MIN.THICK OVER COPPER PL.50 MIN.THICK  
 3.GOLD PL. 3 MIN.THICK OVER NICKEL PL.50 MIN.THICK OVER COPPER PL.50 MIN.THICK  
 4.PTFE  
 5.MAX.PANEL THICKNESS=3.2mm  
 6.FREQUENCY RANGE:DC-6GHz



RoHS COMPLIANT

PCB MOUNTING HOLE

RECOMMENDED MOUNTING HOLE



TOLERANCE TABLE	SCALE 2.5:1		DRAWN	江蒙	DATE	2024/06/03	DWG. NO. 600-0000-2474	TITLE SMA REVERSE POLARITY R/A BULKHEAD P.C. MOUNT JACK CUSTOMER DRAWING	REV.	1
	X. ± 0.30	X.° ± 3°	CHECK	李晨涛	DATE	2024/06/03			SHEET	1/1
	.X ± 0.25	.X° ± 2°	APPROVE	朱宁静	DATE	2024/06/03	PARTS NO.(INTENDED USE) JFCGBPBXX			
	.XX ± 0.20		SIZE A4							

A

B

C

D

E