

A

B

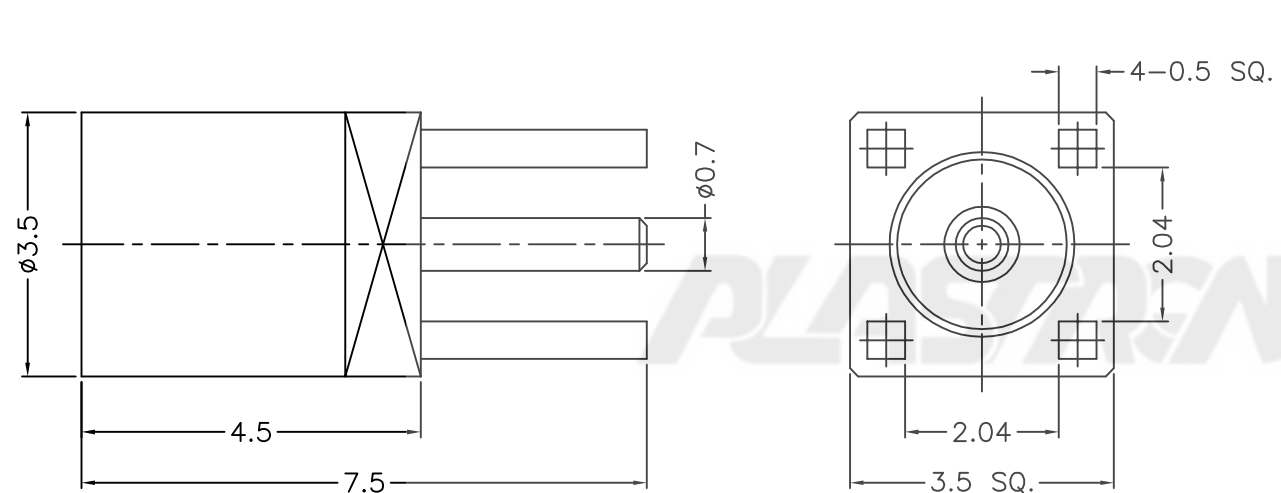
C

D

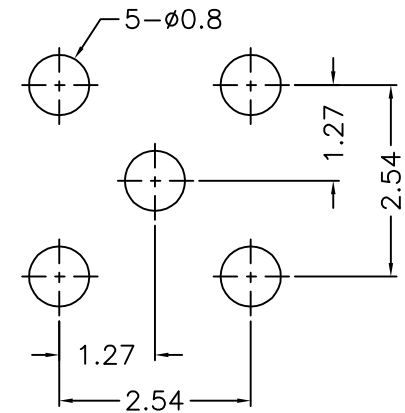
E

| 版次 | ECN 编码 | 描述 | | 设计/日期 |
|----|------------|------|----|---------------|
| 1 | EL24060027 | 初版发行 | | 江蒙_2024/06/03 |
| | | 改前 | 改后 | |

NOTES: FINISH(PLATING THICKNESS IN MICRO-INCHES)
 1.BRASS
 2.BERYLLIUM COPPER
 3.GOLD PL. 3 MIN.THICK OVER NICKEL PL.50 MIN.THICK OVER COPPER PL.50 MIN.THICK
 4.TEFLON



JFDSBMBXX
 F:RF
 D:微型
 S:MMCX
 B:Beryllium Copper
 A: Gold Flash
 D:3u"
 G:10u"
 L:30u"
 B:Gold Plating



RoHS COMPLIANT

PCB MOUNTING HOLE



| | | | | | | | | | | |
|-----------------|-------------|----------|---------|-----|------|------------|---------------------------|---|--------------------------------------|-------|
| TOLERANCE TABLE | SCALE 2.5:1 | | DRAWN | 江蒙 | DATE | 2024/06/03 | DWG. NO. 600-0000-2472 | TITLE MMCX P.C.B. JACK CUSTOMER DRAWING | REV. | 1 |
| | X. ± 0.30 | X.° ± 3° | CHECK | 李晨涛 | DATE | 2024/06/03 | | | PARTS NO.(INTENDED USE) JFDSBMBXX | SHEET |
| | .X ± 0.25 | .X° ± 2° | APPROVE | 朱宁静 | DATE | 2024/06/03 | | | | |
| | .XX ± 0.20 | | | | | | UNIT mm | SIZE A4 | | |

A

B

C

D

E