

A

B

C

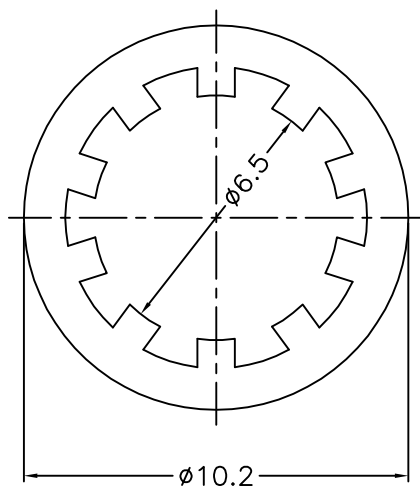
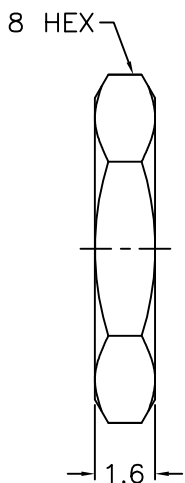
D

E

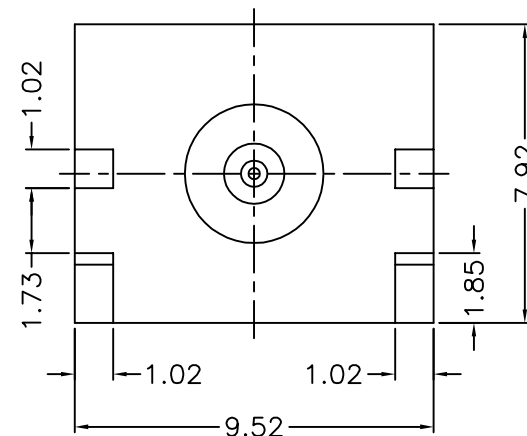
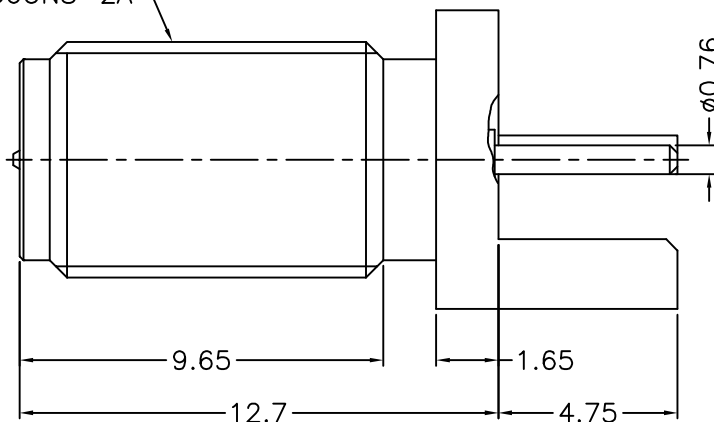
版次	ECN 编码	描述		设计/日期
1	EL24060026	初版发行		江蒙_2024/06/03
		改前	改后	

NOTES: FINISH(PLATING THICKNESS IN MICRO-INCHES)
 1.BRASS
 2.THIM GOLD OVER NICKEL PL.50 MIN.THICK OVER COPPER PL.50 MIN.THICK
 3.GOLD PL. 3MIN.THICK OVER NICKEL PL.50 MIN.THICK OVER COPPER PL.50 MIN.THICK
 4.TEFLON

JFCGBNBXX
 F:RF
 C:超小型
 G:SMA
 B:Beryllium Copper
 A: Gold Flash
 D:3u"
 G:10u"
 L:30u"
 B:Gold Plating



1/4-36UNS-2A



RoHS COMPLIANT



	TOLERANCE TABLE		SCALE	2.5:1	DRAWN	江蒙	DATE	2024/06/03	DWG. NO.	600-0000-2471	TITLE	SMA REVERSE POLARITY END LAUNCH PCB JACK CUSTOMER DRAWING	REV.	1
	X. ± 0.30	X.° ± 3°	UNIT	mm	CHECK	李晨涛	DATE	2024/06/03					PARTS NO.(INTENDED USE)	JFCGBNBXX
	.X ± 0.25	.X° ± 2°	SIZE	A4	APPROVE	朱宁静	DATE	2024/06/03						
	.XX ± 0.20													

A

B

C

D

E