

A

B

C

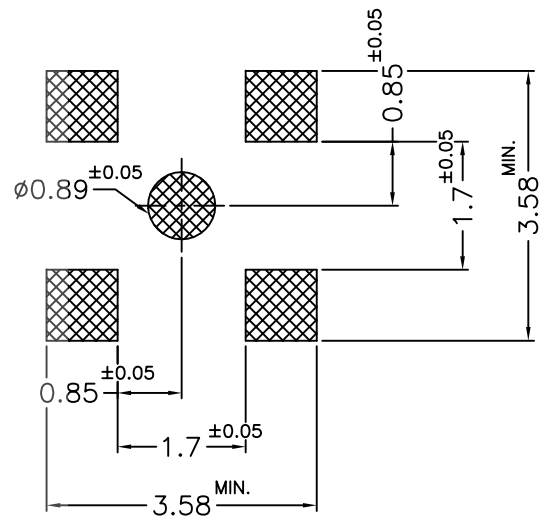
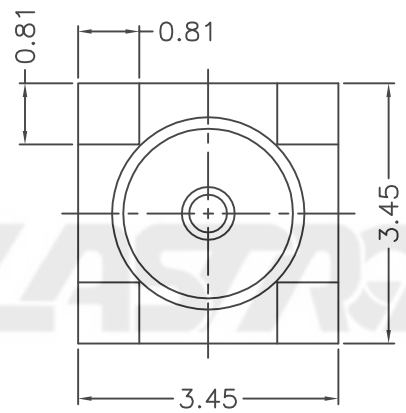
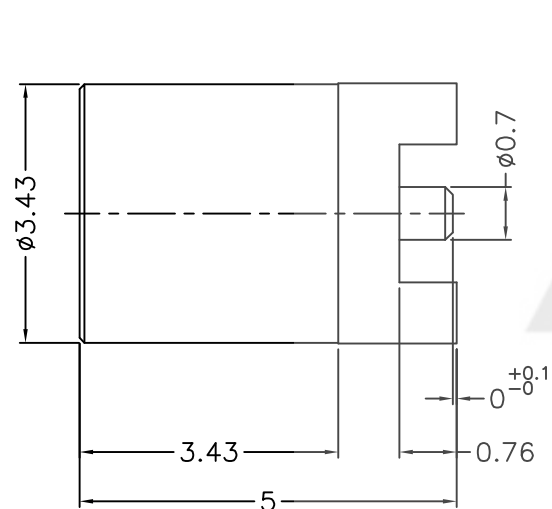
D

E

版次	ECN 编码	描述		设计/日期
1	EL24060025	初版发行		江蒙_2024/06/03
		改前	改后	

NOTES: FINISH(PLATING THICKNESS IN MICRO-INCHES)  
 1.BRASS  
 2.BERYLLIUM COPPER  
 3.GOLD PL. 3 MIN.THICK OVER NICKEL PL.50 MIN.THICK OVER COPPER PL.50 MIN.THICK  
 4.TEFLON

JFDSBKBXX  
 F:RF  
 D:微型  
 S:MMCX  
 B:Beryllium Copper  
 A: Gold Flash  
 D:3u"  
 G:10u"  
 L:30u"  
 B:Gold Plating



RoHS COMPLIANT

PCB MOUNTING PATTERN



TOLERANCE TABLE	SCALE 2.5:1		DRAWN	江蒙	DATE	2024/06/03	DWG. NO. 600-0000-2470	TITLE MMCX SURFACE MOUNT JACK CUSTOMER DRAWING	REV.	1
	X. ± 0.30	X.° ± 3°	CHECK	李晨涛	DATE	2024/06/03			PARTS NO.(INTENDED USE) JFDSBKBXX	SHEET
	.X ± 0.25	.X° ± 2°	APPROVE	朱宁静	DATE	2024/06/03				
	.XX ± 0.20						SIZE A4			

A

B

C

D

E