

A

B

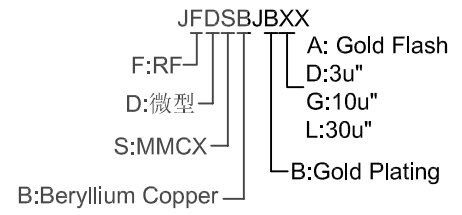
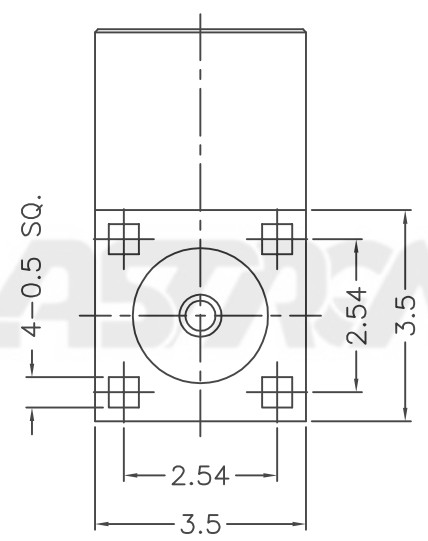
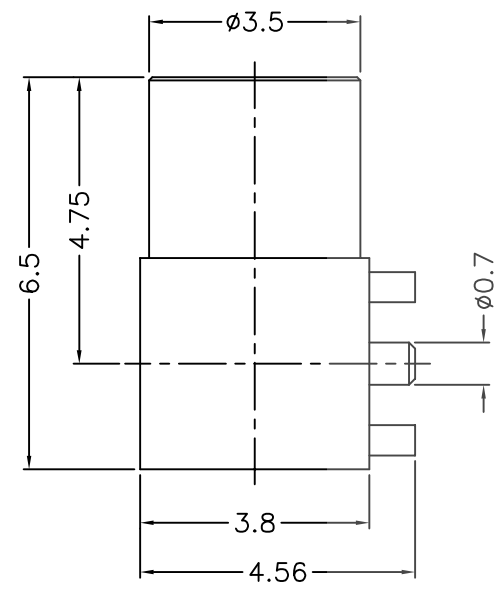
C

D

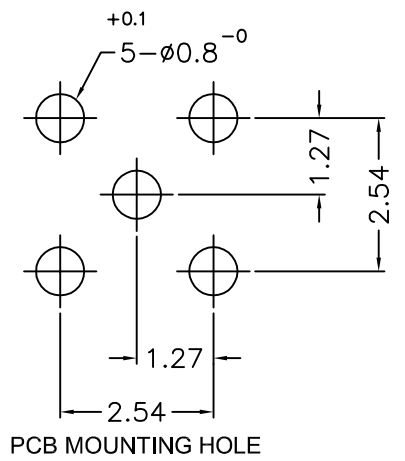
E

版次	ECN 编码	描述		设计/日期
1	EL24060024	初版发行		江蒙_2024/06/01
		改前	改后	

NOTES: FINISH(PLATING THICKNESS IN MICRO-INCHES)
 1.BRASS
 2.GOLD PL.3 MIN.THICK OVER NICKEL PL.100 MIN.THICK OVER COPPER STRIKE
 3.BERYLLIUM COPPER
 4.TEFLON



RoHS COMPLIANT



TOLERANCE TABLE	SCALE 2.5:1		DRAWN	江蒙	DATE	2024/06/01	DWG. NO. 600-0000-2469	TITLE MMCX R/A P.C. SURFACE MOUNT JACK CUSTOMER DRAWING	REV.	1
	X. ± 0.30	X.° ± 3°	CHECK	李晨涛	DATE	2024/06/01			PARTS NO.(INTENDED USE) JFDSBJBXX	SHEET
	.X ± 0.25	.X° ± 2°	APPROVE	朱宁静	DATE	2024/06/01				
	.XX ± 0.20						UNIT mm	SIZE A4		

A

B

C

D

E