

A

B

C

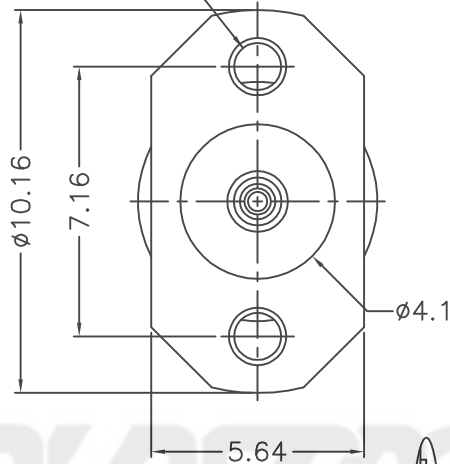
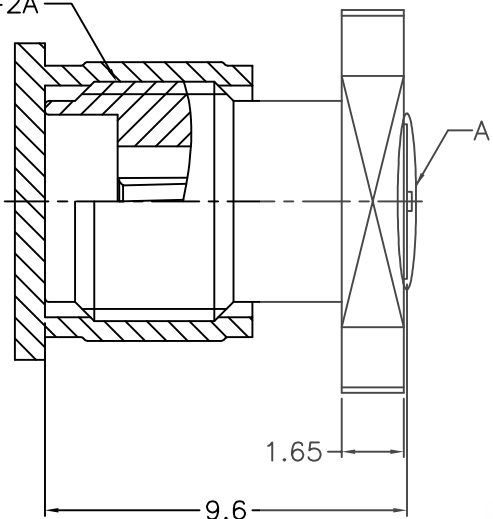
D

E

版次	ECN 编码	描述		设计/日期
1	EL24060023	初版发行		江蒙_2024/06/01
		改前	改后	

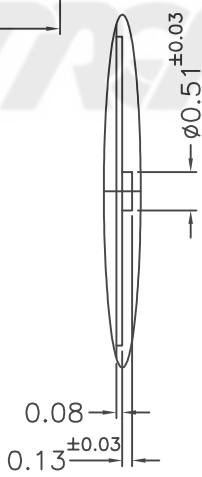
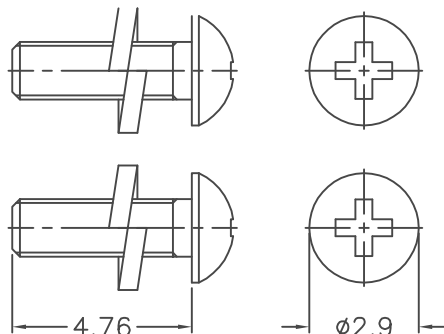
1/4-36UNS-2A

2-#0-80UNF-2B

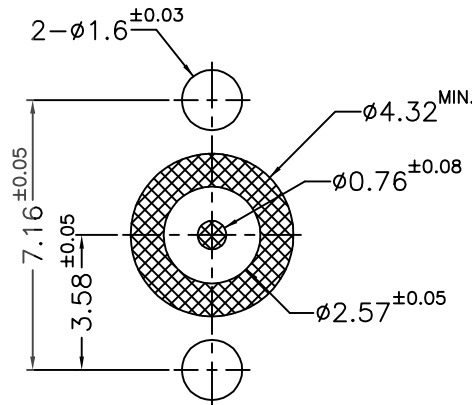


NOTES: FINISH(PLATING THICKNESS IN MICRO-INCHES)
 1.STAINLESS STEEL
 2.PASSIVATED
 3.BERYLLIUM COPPER
 4.GOLD PL. 10 MIN.THICK OVER ELECTROLESS NICKEL PL. 100 MIN.THICK
 5.ULTEM 1000

JFDUBXBXX
 F:RF
 D:微型
 U:2.92mm
 B:Beryllium Copper
 A: Gold Flash
 G:10u"
 L:30u"
 B:Gold Plating



A DETAIL (10/1)
(A 詳圖)



PCB MOUNTING PATTERN

RoHS COMPLIANT



TOLERANCE TABLE		SCALE	2.5:1	DRAWN	江蒙	DATE	2024/06/01	DWG. NO.	600-0000-2468	TITLE	2.92mm SOLDERLESS PCB COMPRESSION MOUNT JACK CUSTOMER DRAWING	REV.	1
X. ± 0.30	X.° ± 3°	UNIT	mm	CHECK	李晨涛	DATE	2024/06/01	PARTS NO.(INTENDED USE)	JFDUBXBXX			SHEET	1/1
.X ± 0.25	.X° ± 2°	SIZE	A4	APPROVE	朱宁静	DATE	2024/06/01						
.XX ± 0.20													

A

B

C

D

E