

A

B

C

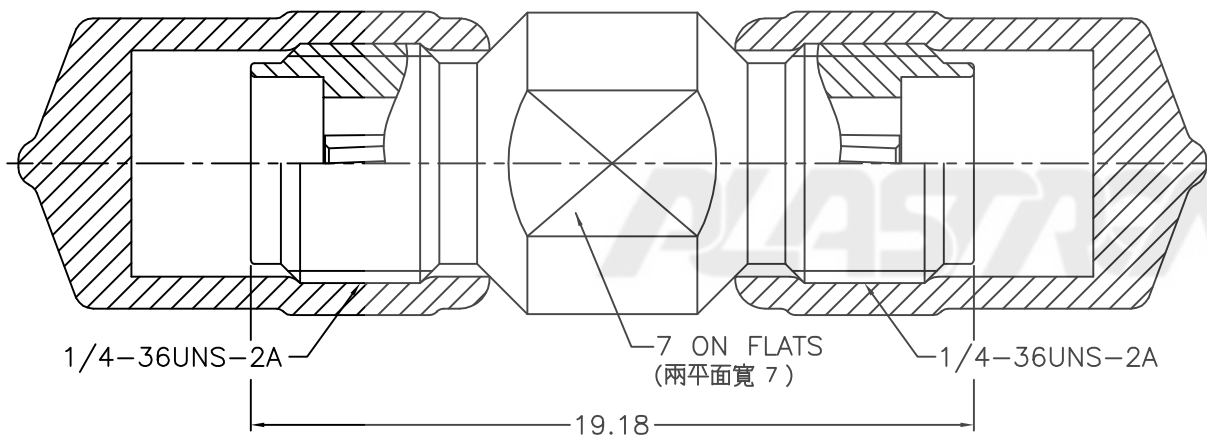
D

E

版次	ECN 编码	描述		设计/日期
1	EL24060022	初版发行		江蒙_2024/06/01
		改前	改后	

NOTES: FINISH(PLATING THICKNESS IN MICRO-INCHES)  
 1.STAINLESS STEEL  
 2.PASSIVATED  
 3.BERYLLIUM COPPER  
 4.GOLD PL. 10 MIN.THICK OVER ELECTROLESS NICKEL PL. 100 MIN.THICK  
 5.ULTEM 1000

JFCNBBBXX  
 F:RF  
 C:超小型  
 N:3.5mm  
 B:Beryllium Copper  
 A: Gold Flash  
 G:10u"  
 L:30u"  
 B:Gold Plating



RoHS, REACH Compliance



TOLERANCE TABLE	SCALE 2.5:1		DRAWN	江蒙	DATE	2024/06/01	DWG. NO. 600-0000-2467	TITLE 3.5mm JACK TO JACK ADAPTOR CUSTOMER DRAWING	REV.	1
	X. ± 0.30	X. ° ± 3°	CHECK	李晨涛	DATE	2024/06/01			PARTS NO.(INTENDED USE) JFCNBBBXX	SHEET
	.X ± 0.25	.X ° ± 2°	APPROVE	朱宁静	DATE	2024/06/01				
	.XX ± 0.20						UNIT mm	SIZE A4		

A

B

C

D

E