

A

B

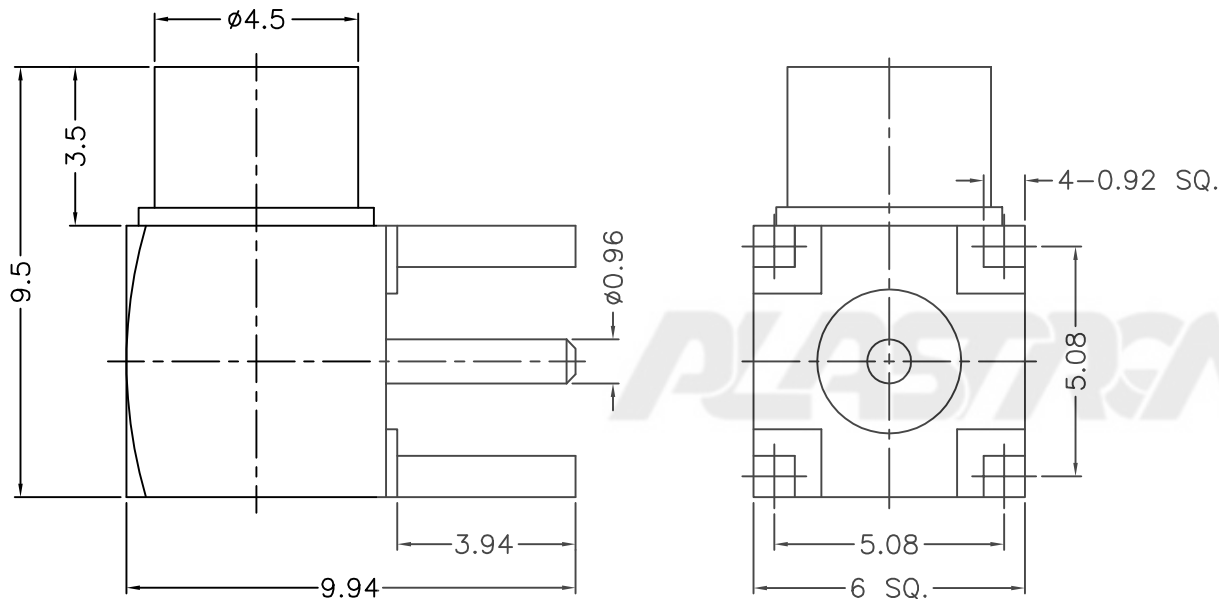
C

D

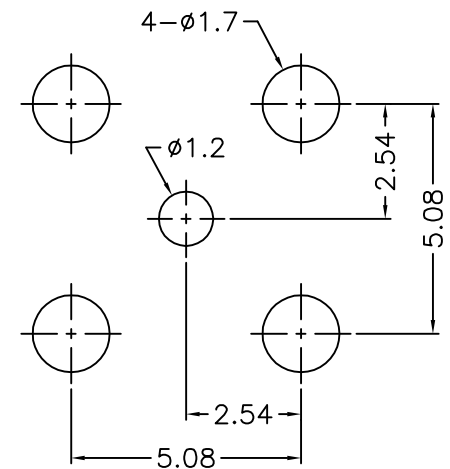
E

| 版次 | ECN 编码     | 描述   |    | 设计/日期         |
|----|------------|------|----|---------------|
| 1  | EL24060017 | 初版发行 |    | 江蒙_2024/06/01 |
|    |            | 改前   | 改后 |               |

NOTES: FINISH(PLATING THICKNESS IN MICRO-INCHES)  
 1.BRASS  
 2.THIN GOLD OVER NICKEL PL.50MIN.THICK OVER COPPER PL.50MIN.THICK  
 3.BERYLLIUM COPPER  
 4.GOLD PL.3MIN.THICK OVER NICKEL PL.50 MIN.THICK OVER COPPER PL.50 MIN.THICK  
 5.TEFLON



JFCKBHBXX  
 F:RF  
 C:超小型  
 K:MCX  
 B:Beryllium Copper  
 A: Gold Flash  
 D:3u"  
 G:10u"  
 L:30u"  
 B:Gold Plating



RoHS COMPLIANT

PCB MOUNTING HOLE



|          |                 |          |       |       |         |     |      |            |                         |               |       |  |       |     |
|----------|-----------------|----------|-------|-------|---------|-----|------|------------|-------------------------|---------------|-------|--|-------|-----|
| ALASTREN | TOLERANCE TABLE |          | SCALE | 2.5:1 | DRAWN   | 江蒙  | DATE | 2024/06/01 | DWG. NO.                | 600-0000-2462 | TITLE | MCX R/A P.C. BOARD<br>RECEPT. JACK<br>CUSTOMER DRAWING | REV.  | 1   |
|          | X. ± 0.30       | X.° ± 3° | UNIT  | mm    | CHECK   | 李晨涛 | DATE | 2024/06/01 | PARTS NO.(INTENDED USE) | JFCKBHBXX     |       |  | SHEET | 1/1 |
|          | .X ± 0.25       | .X° ± 2° | SIZE  | A4    | APPROVE | 朱宁静 | DATE | 2024/06/01 |                         |               |       |  |       |     |
|          | .XX ± 0.20      |          |       |       |         |     |      |            |                         |               |       |  |       |     |

A

B

C

D

E