

A

B

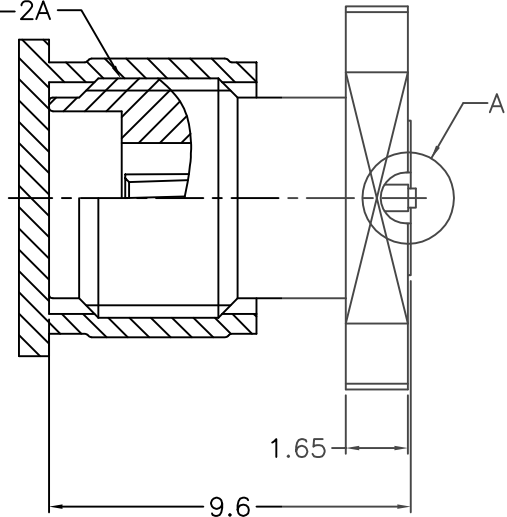
C

D

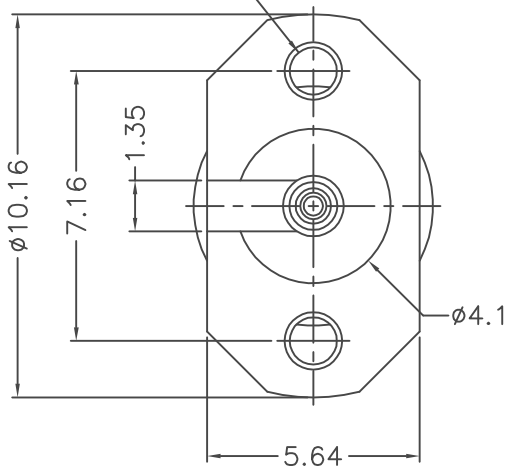
E

版次	ECN 编码	描述		设计/日期
1	EL24060015	初版发行		江蒙_2024/06/01
		改前	改后	

1/4-36UNS-2A

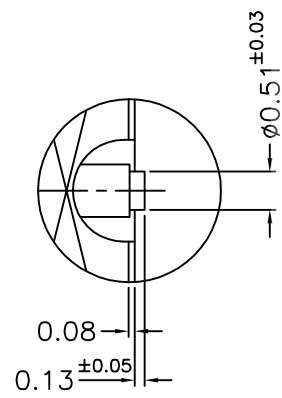


2-#0-80UNF-2B

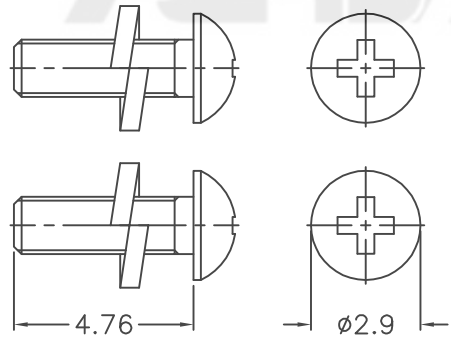


NOTES: FINISH(PLATING THICKNESS IN MICRO-INCHES)
 1.STAINLESS STEEL
 2.PASSIVATED
 3.BERYLLIUM COPPER
 4.GOLD PL. 10MIN.THICK OVER ELECTROLESS NICKEL PL. 100MIN.THICK
 5.ULTEM 1000

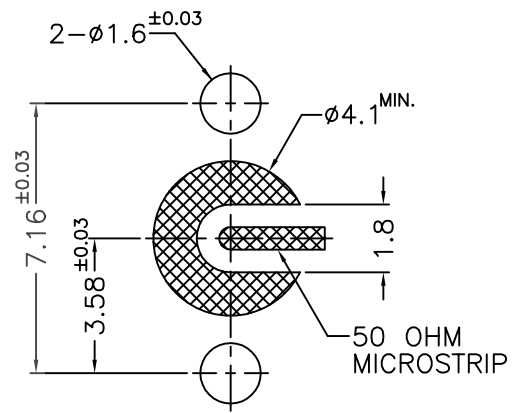
JFDUBABXX
 F:RF
 D:微型
 U:2.92mm
 B:Beryllium Copper
 A: Gold Flash
 G:10u"
 L:30u"
 B:Gold Plating



A DETAIL (10/1)
(A 詳圖)



RoHS COMPLIANT



PCB MOUNTING HOLE



TOLERANCE TABLE	SCALE	2.5:1	DRAWN	江蒙	DATE	2024/06/01	DWG. NO.	600-0000-2460	TITLE	2.92mm SOLDERLESS PCB COMPRESSION MOUNT JACK CUSTOMER DRAWING	REV.	1
	UNIT	mm	CHECK	李晨涛	DATE	2024/06/01		PARTS NO.(INTENDED USE)	JFDUBABXX	SHEET	1/1	
	SIZE	A4	APPROVE	朱宁静	DATE	2024/06/01						
	X. ± 0.30	X.° ± 3°										
.X ± 0.25	.X° ± 2°											
.XX ± 0.20												

A

B

C

D

E