

版次	ECN 编码	描述		设计/日期
1	EL24050020	初版发行		江蒙_2024/05/17
		改前	改后	

NOTES: (Unless otherwise specified)

1. MATERIAL:

1-1.HOUSING:PA10T+35%GF(VICNYL R635NH);UL 94V-0
COLOR:BLACK.

1-2.TERMINAL:PHOSPHOR BRONZE(C5210R-EH);T=0.25mm
TREATMENT:

1.GOLD FLASH ON CONTACT AREA,MATTE TIN 80u" MIN
ON SOLDER TAIL,ALL OVER NICKEL 30u" MIN.

1-3:SHELL:SUS(201);T=0.20mm,TREATMENT:50u" NICKEL.

1-4:STOPPLE:LCP(E130I);UL94V-0,COLOR:BLACK.

2.SPECIFICATIONS:

2-1.VOLTAGE RATING:150VAC MAX.

2-2.CORRENT RATING:1.5AMP MAX.

2-3.INSULATION RESISTANCE:500mΩ MIN.AT 500V DC.

2-4.DIELECTRIC WITHSTANDING VOLTAGE:

500V AC 60HZ 1MINUTE.

2-5.DURABILITY:5000 CYCLES.

2-6.OPERATING TEMPERATURE :-30°C TO +70°C.

2-7.FOR REFLOW SOLDERING LEAD-FREE RPOCESS.

JABCAADTBXK

A:RJ45

A:8P8C

T: PCB to Top
Height 6.95mm

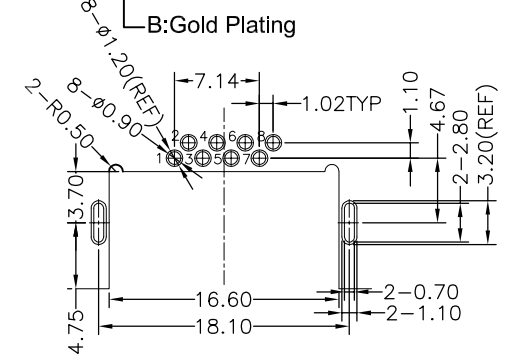
K:Reel

A:Gold Flash

E:5u"

L:30u"

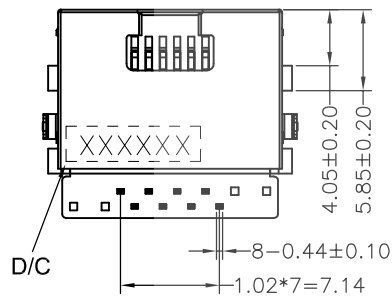
B:Gold Plating



RECOMMENDED PCB LAYOUT

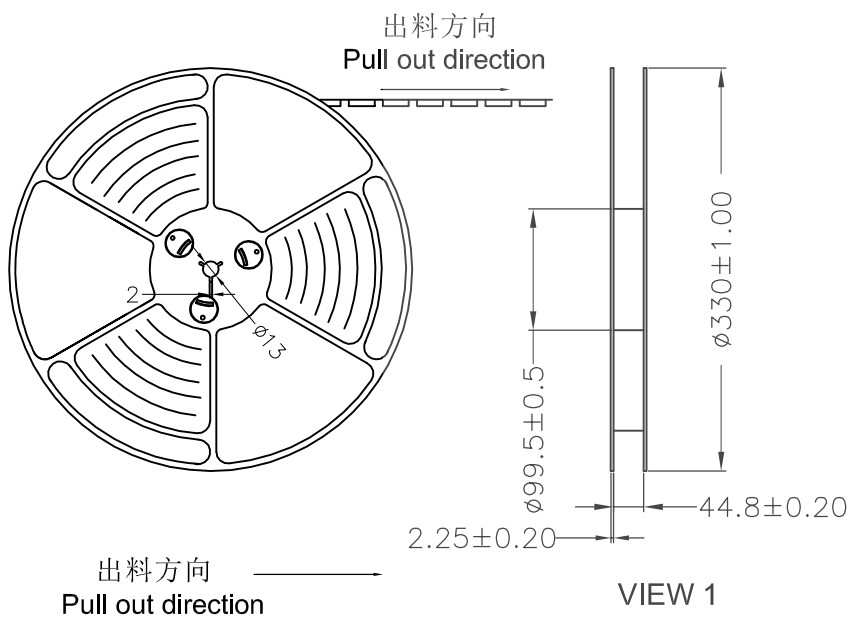
pin define:

10/100Base-T		100Base-T4	
Pin 1	TX+	Pin 1	TX_D1+
Pin 2	TX-	Pin 2	TX_D1-
Pin 3	RX+	Pin 3	RX_D2+
Pin 4	n/c	Pin 4	BI_D3+
Pin 5	n/c	Pin 5	BI_D3-
Pin 6	RX-	Pin 6	RX_D2-
Pin 7	n/c	Pin 7	BI_D4+
Pin 8	n/c	Pin 8	BI_D4-



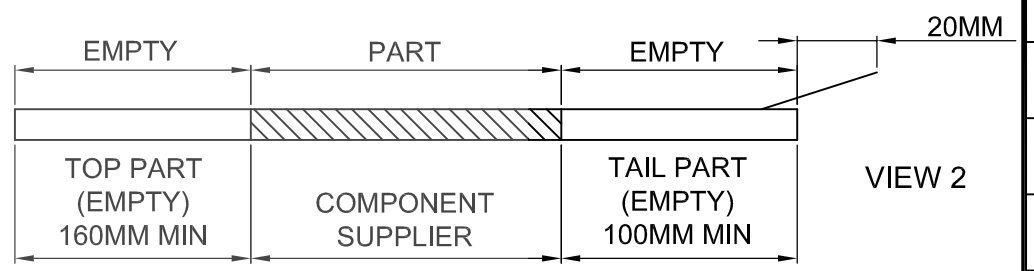
TOLERANCE TABLE		SCALE	2.5:1	DRAWN	江蒙	DATE	2024/05/17	DWG. NO.	600-0000-2432	TITLE	REV.
X.± 0.30	X.°± 3°	UNIT	mm	CHECK	李晨涛	DATE	2024/05/17	PARTS NO.(INTENDED USE)	JABCAADTBXK	RJ45 8P8C	1
.X± 0.25	.X°± 2°	SIZE	A4	APPROVE	朱宁静	DATE	2024/05/17			板上6.95mm+栅栏	SHEET
.XX± 0.20										CUSTOMER DRAWING	

A B C D E



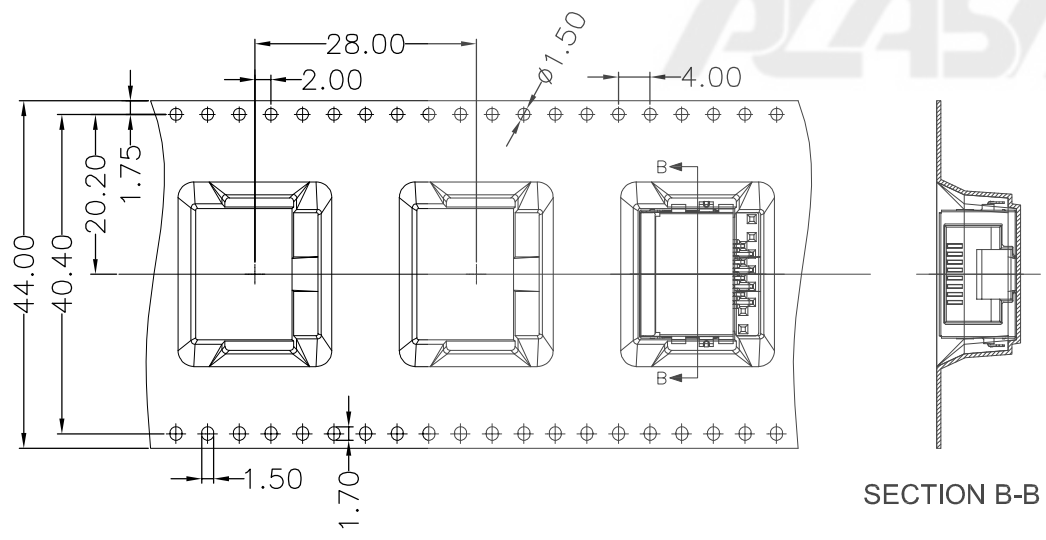
备注 (NOTES):

- 1. 带子引导长度
Lead tape length
- 转绕方向
Pull out direction



- 2. 上带剥拉力为: 0.2~1.3N(20gf~130gf)
Peeling off force of top tape :0.2~1.3N(20gf~130gf)

出货运输过程中一定注意: 卷带在运输过程中不能散开
This requirement should be applied at shipment:
The reel tape can not be separated during transportation.



	TOLERANCE TABLE		SCALE 1:1	DRAWN 江蒙	DATE 2024/05/17	DWG. NO. 600-0000-2432	TITLE RJ45 8P8C 板上6.95mm+栅栏 CUSTOMER DRAWING	REV. 1
	X.± 0.30	X.° ± 3°	UNIT mm	CHECK 李晨涛	DATE 2024/05/17			PARTS NO.(INTENDED USE)
	.X± 0.25	.X° ± 2°	SIZE A4	APPROVE	朱宁静	DATE 2024/05/17	JABCAADTBXK	
	.XX ± 0.20							

A B C D E

A

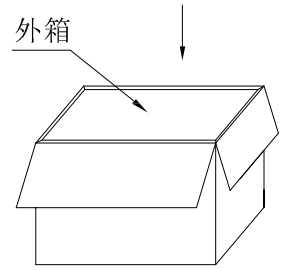
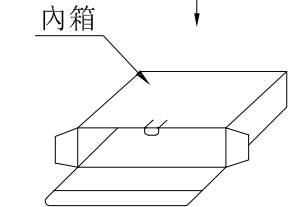
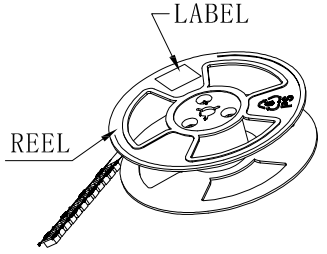
B

C

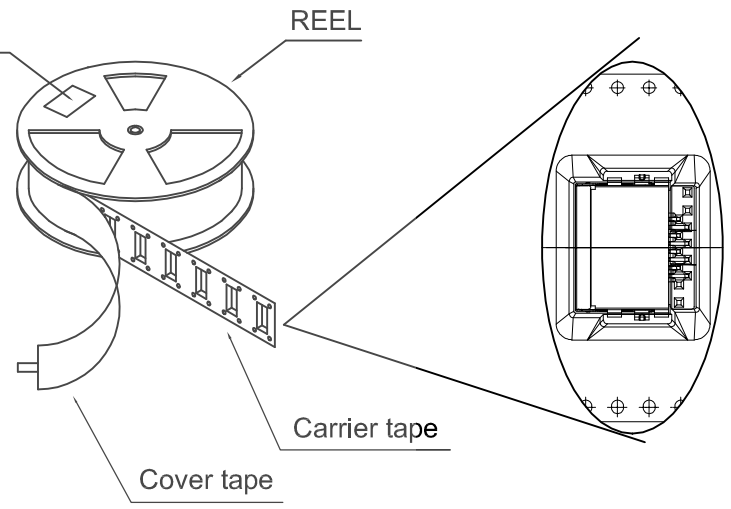
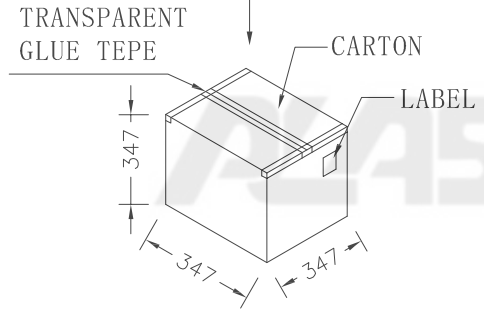
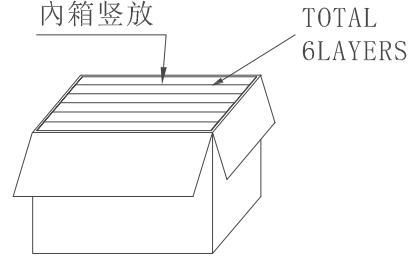
D

E

标签黏贴处(朝卷装包材的小定位孔一侧)
 Location of label sticking (label at small positioning hole of the carrier tape side)



VIEW 4



VIEW 5

备注 (NOTES):

- 每卷包装数量及每箱装箱数量如下表格。
Packing Q'ty of each reel & carton as below table shown.
- 上胶带覆盖下包装带用自粘包装。
Use cover tape to cover and seal up.
- 将装满产品的卷盘放入纸箱并以胶带封口。
Put reels in the carton and use adhesive tape to seal up.

产品料号 (Product No.)	包装数量 (Packing Quantity)		
	PCS/REEL	REELS/CARTON	PCS/CARTON
JABCAADTBXK	200	6	1200



TOLERANCE TABLE	
X. ± 0.30	X.° ± 3°
.X ± 0.25	.X° ± 2°
.XX ± 0.20	

SCALE	1:1
UNIT	mm
SIZE	A4

DRAWN	江蒙
CHECK	李晨涛
APPROVE	朱宁静

DATE	2024/05/17
DATE	2024/05/17
DATE	2024/05/17

DWG. NO.	600-0000-2432
PARTS NO.(INTENDED USE)	JABCAADTBXK

TITLE	RJ45 8P8C 板上6.95mm+栅栏 CUSTOMER DRAWING
-------	--

REV.	1
SHEET	3/3

A

B

C

D

E