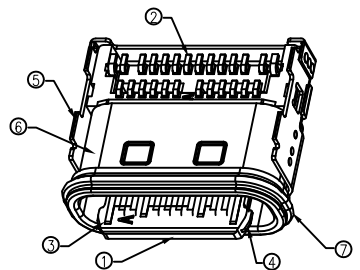
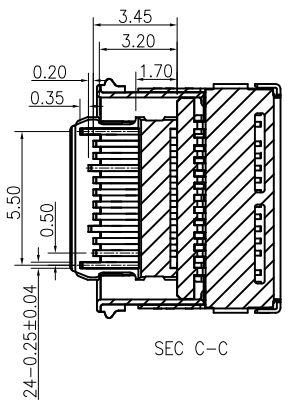
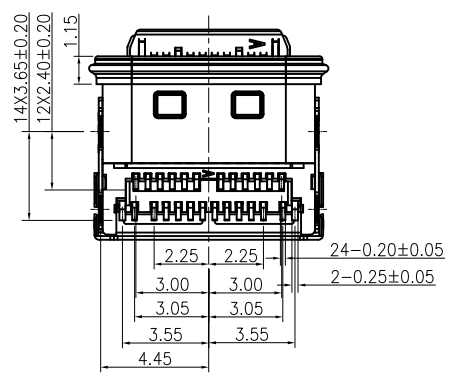


0.10 SMT TAILS (Before IR)
0.12 SMT TAILS (After IR)



版次	ECN 编码	描述		设计/日期
X1	EL220200**	初版发行		何晓明_2022/03/02
		改前	改后	

- NOTES: (Unless otherwise specified)
- Dimension shall be interpreted per ANSI Y14.5M.
 - Materials: See the table
 - Current Rating: 5A Max.
 - Voltage Rating: 20V.
 - Working Temperature: -40°C ~ +105°C.
 - Water protection IPx8
 - Harmful material should be compliant to doc. "EI-0005" standards.

PART NO. :

MFEBB024 K J 00

Number of contacts
24:24PIN

K:Reel

Plating Code:
Contact area:30u" Gold Plating.
G/F On Solder Area

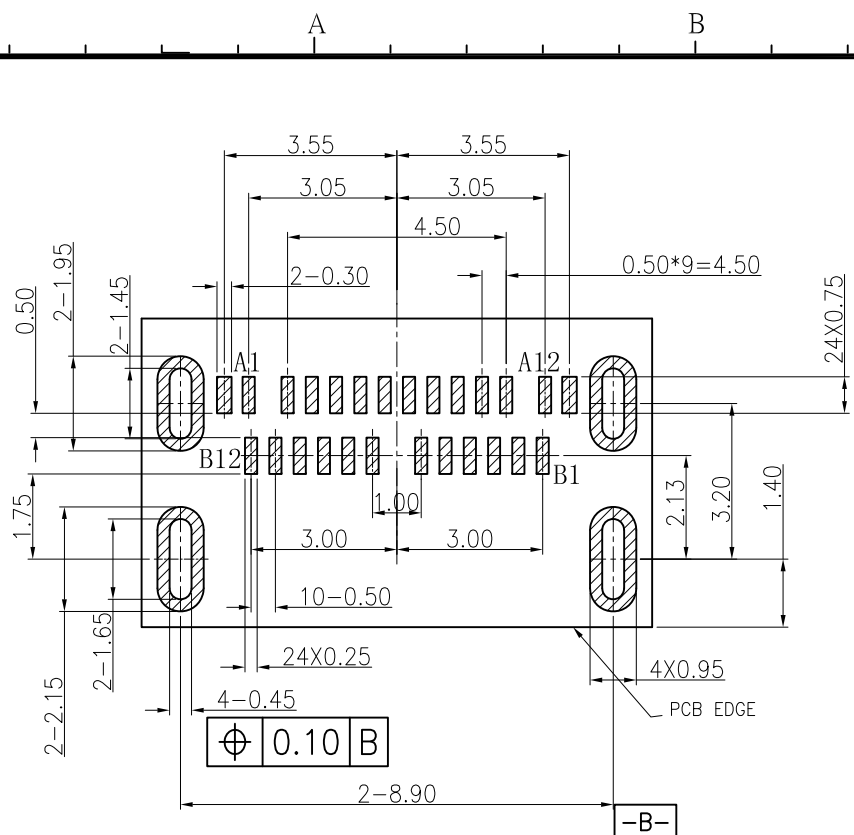
Table

7	LIM	1	CHN-LIMS	BLACK
6	MAIN SHELL	1	SUS316L T=0.20	NI PLATED OR CLEANING
5	OUTER SHELL	1	SUS304 T=0.15	SOLDER NICKEL: 30" MIN
4	MID PLATE	1	SUS301 T=0.15	NICKEL: 30U" MIN
3	BOTTOM TERMINAL	1	C7025 T=0.12	MATING AREA : Au30u"MIN SOLDER TAIL:Gold Flash, 50u"MIN NICKEL OVERALL.
2	TOP TERMINAL	1	C7025 T=0.12	MATING AREA : Au30u"MIN SOLDER TAIL:Gold Flash, 50u"MIN NICKEL OVERALL.
1	MOLDING HOUSING	1	PA9T+30%G.F,	HF BLACK
ITEM	DESCRIPTION	Q'TY	MATERIAL	

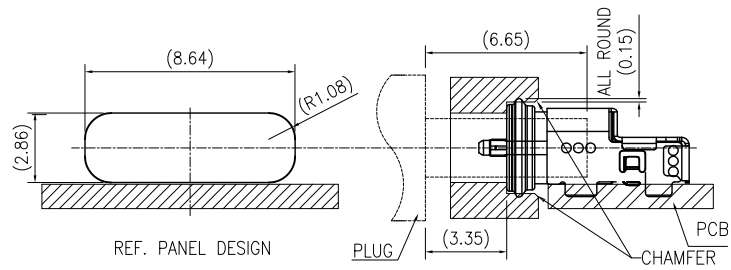
BILL OF MATRIAL



TOLERANCE TABLE	X. ± 0.30	X.° ± 2°	SCALE 2.5:1	DRAWN 何晓明	DATE 2022/03/02	DWG. NO. 600-0000-2315	TITLE CUSTOMER DRAWING	REV. X1
	.X ± 0.25	.X° ± 1°						UNIT mm
	.XX ± 0.10		SIZE A4	APPROVE	DATE			



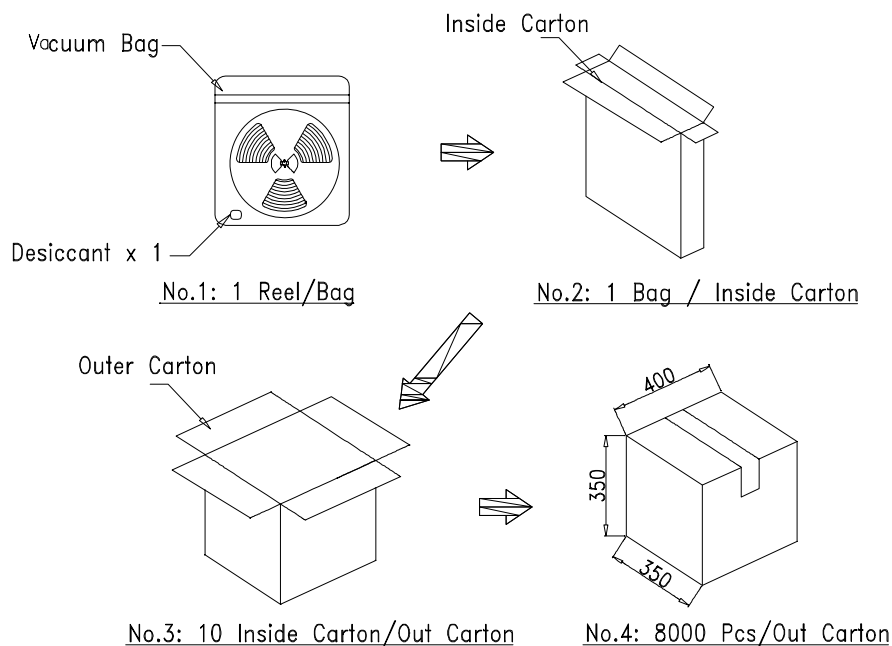
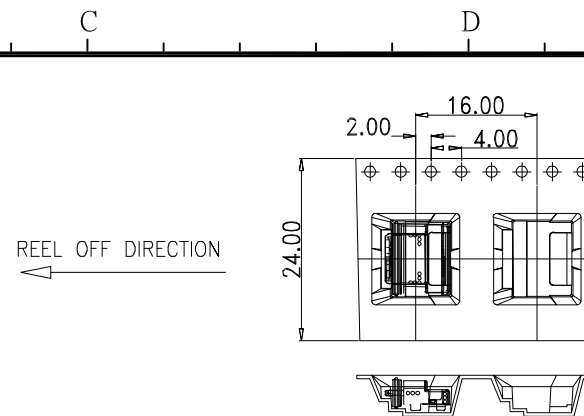
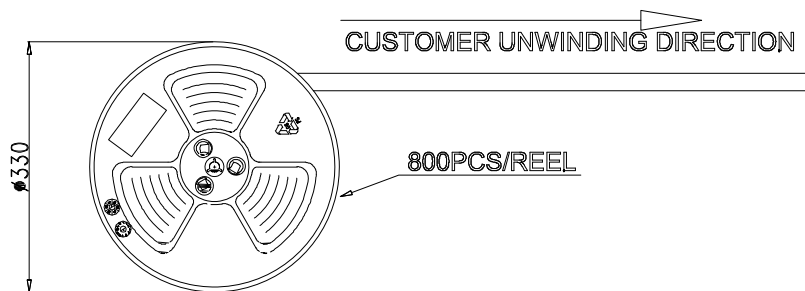
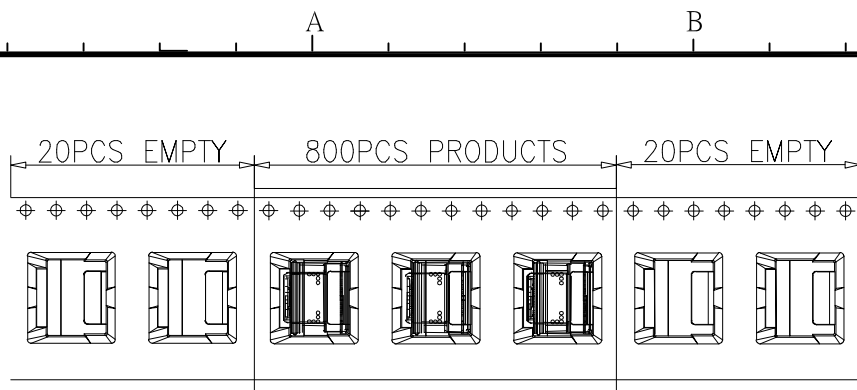
RECOMMENDED PCB LAYOUT
 (TOLERANCE:±0.05)
 SCALE 2:1



Pin No	Signal Name	Mating Sequence	Pin No	Signal Name	Mating Sequence
A1	GND	First	B12	GND	First
A2	TX1+	Second	B11	RX1+	Second
A3	TX1-	Second	B10	RX1-	Second
A4	Vbus	First	B9	Vbus	First
A5	CC1	Second	B8	SBU2	Second
A6	D+	Second	B7	D-	Second
A7	D-	Second	B6	D+	Second
A8	SBU1	Second	B5	CC2	Second
A9	Vbus	First	B4	Vbus	First
A10	RX2-	Second	B3	TX2-	Second
A11	RX2+	Second	B2	TX2+	Second
A12	GND	First	B1	GND	First
SHELL		GND	SHELL		GND



	TOLERANCE TABLE		SCALE 2.5:1		DRAWN	何曉明	DATE	2022/03/02	DWG. NO. 600-0000-2315	TITLE CUSTOMER DRAWING	REV. X1
	X. ± 0.30	X.° ± 2°	UNIT mm		CHECK		DATE				PARTS NO.(INTENDED USE) MFEBB024KJ00
	.X ± 0.25	.X° ± 1°	SIZE A4		APPROVE		DATE				
	.XX ± 0.10										



包装说明:

1. 将产品放入REEL卷中，然后贴上透明PE上带800PCS/卷；
2. 然后尾部用胶纸粘贴，在REEL卷盘上贴上数量标签；
3. 将包装好的产品放入指定的外箱中，一箱装10盘, 8000 PCS/箱；
4. 出货标签要严格按照要求进行填写；
5. 纸箱封盖后以封箱胶封箱，贴上出货标签；
6. 外箱若客户另有贴标签要求，则按其订单注明之要求贴；
7. 纸箱尺寸及印刷见包材图面；
8. 未满足之零数箱需以缓冲材料填满，并贴上零数标签，写明具体数量；
9. 本包装适装产品：USB TYPE C母座24P 双排SMT 防水型；
10. ROHS+HF.



ALASTREN	TOLERANCE TABLE		SCALE 2.5:1		DRAWN	何曉明	DATE	2022/03/02	DWG. NO.	600-0000-2315	TITLE	REV.
	X. ± 0.30	X.° ± 2°	UNIT mm		CHECK		DATE		PARTS NO.(INTENDED USE) MFEBB024KJ00	CUSTOMER DRAWING	X1	
	.X ± 0.25	.X° ± 1°	SIZE A4		APPROVE		DATE				SHEET	
	.XX ± 0.10									3/3		