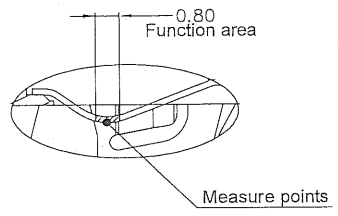
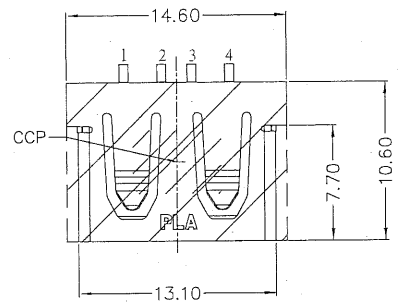
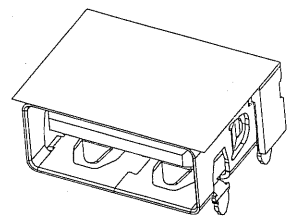
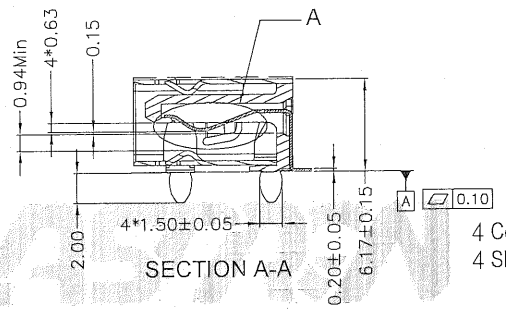
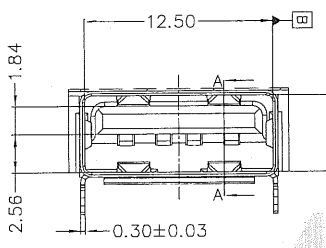
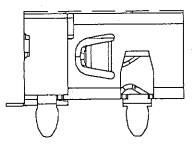


A B C D E

版次	ECN 编码	描述		设计/日期
		改前	改后	
2	EL21100012		铁壳四脚加长	李晨涛_2021/10/09
3	EL22010081	3600PCS	2450PCS	李思洁_2022/01/10



DETAIL A
SCALE 2:1



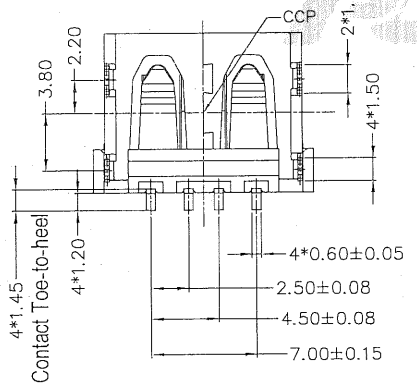
- NOTES: (Unless otherwise specified)
- Dimension shall be interpreted per ANSI Y14.5M.
 - Materials:
Insulator material: High Temperature Thermoplastic, UL 94V-0; Color: Black.
Contact material: Copper alloy.
Shell material: Copper alloy.
 - Current Rating: 1.5A per pin.
 - Voltage Rating: 30V AC/DC.
 - Working Temperature: -40°C ~ +85°C.
 - Harmful material should be compliant to doc. "EI-0005" standards.
 - Product number matrix:

MAAGB004CU00

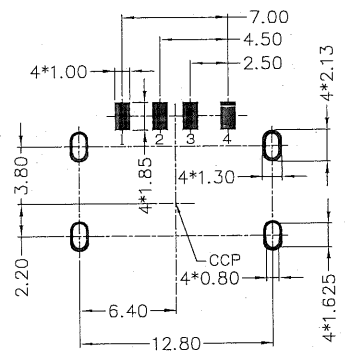
4 Contacts+ 4PIN
4 Shell Standoff Points

FILM+REEL

Plating Code:
Function area: Plating Au 30u" Min.
Termination: Plating matte Sn 100u" Min.
The bottom layer: Plating Ni 50u" Min.



- Pin 1. VBUS
- Pin 2. D-
- Pin 3. D+
- Pin 4. GND

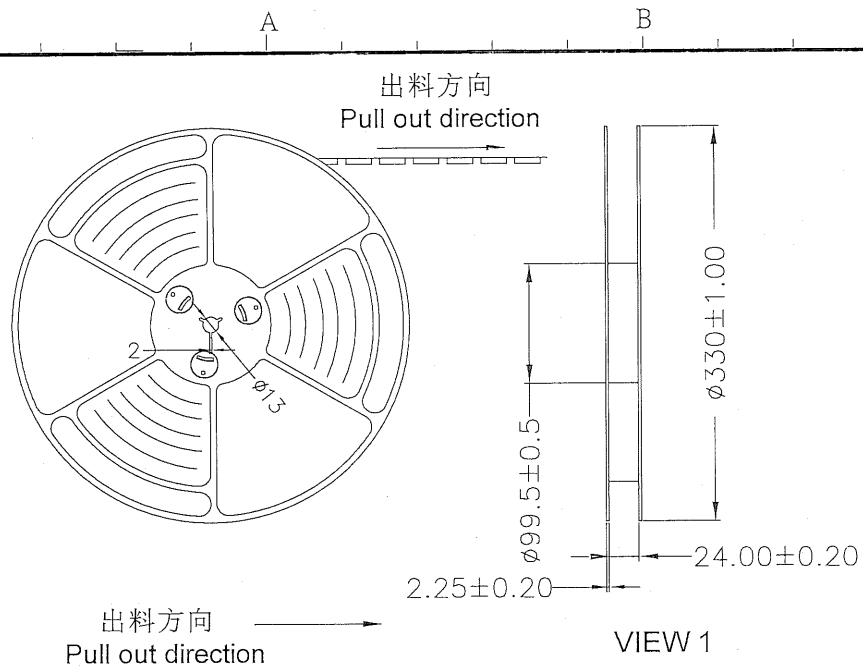


RECOMMENDED PCB LAYOUT
(PCB TOLERANCE ±0.05)



TOLERANCE TABLE		SCALE	DRAWN	DATE	DWG. NO.	TITLE	REV.
X ± 0.30	X° ± 3°	2:1	李思洁	2022/01/10	600-0000-1876	CUSTOMER DRAWING	3
.X ± 0.25	.X° ± 2°	UNIT	CHECK	DATE	PARTS NO.(INTENDED USE)		SHEET
.XX ± 0.20		mm	APPROVE	DATE	MAAGB004CU00		1/3

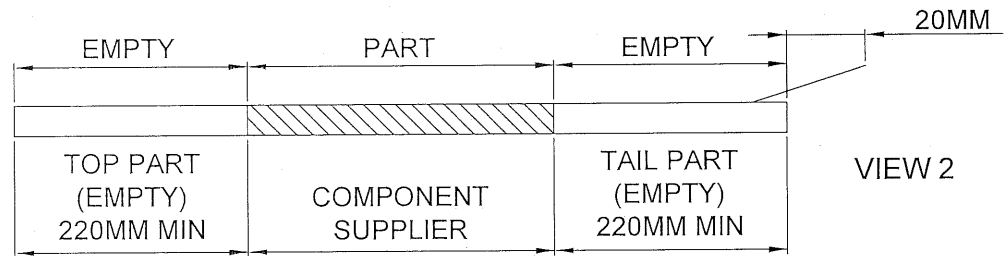
A B C D E



备注 (NOTES):

1. 带子引导长度
Lead tape length

转绕方向
Pull out direction



出料方向
Pull out direction

VIEW 1

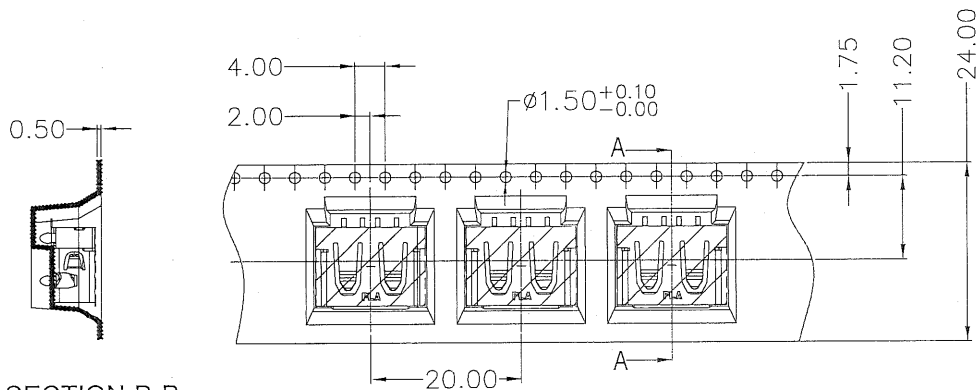
2. 上带剥拉力为: 0.2~1.3N(20gf~130gf)

Peeling off force of top tape :0.2~1.3N(20gf~130gf)

出货运输过程中一定注意: 卷带在运输过程中不能散开

This requirement should be applied at shipment:

The reel tape can not be separated during transportation.



SECTION B-B

VIEW 3



TOLERANCE TABLE	SCALE 1:1		DRAWN	李思洁	DATE	2022/01/10	DWG. NO.		REV.
	X. ± 0.30	X.° ± 3°	UNIT	mm	CHECK	李思洁	600-0000-1876		3
	.X ± 0.25	.X° ± 2°	SIZE	A4	APPROVE	李思洁	PARTS NO. (INTENDED USE)	CUSTOMER DRAWING	SHEET
	.XX ± 0.20					李思洁	MAAGB004CU00		2/3

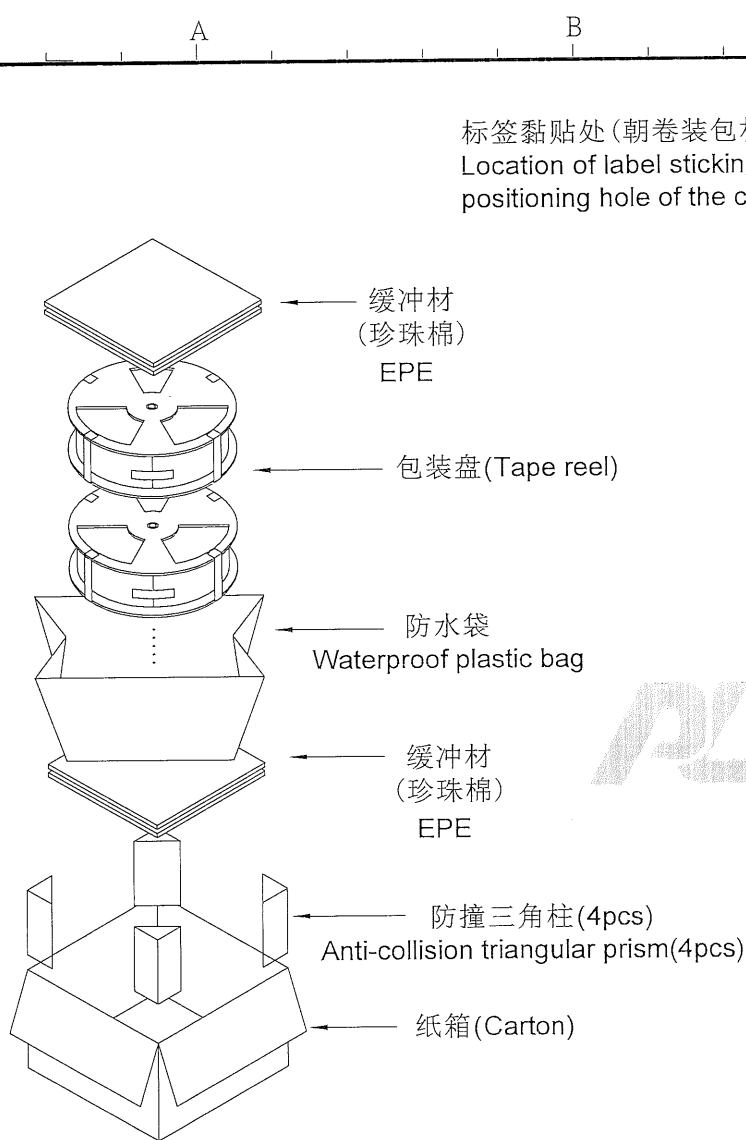
A

B

C

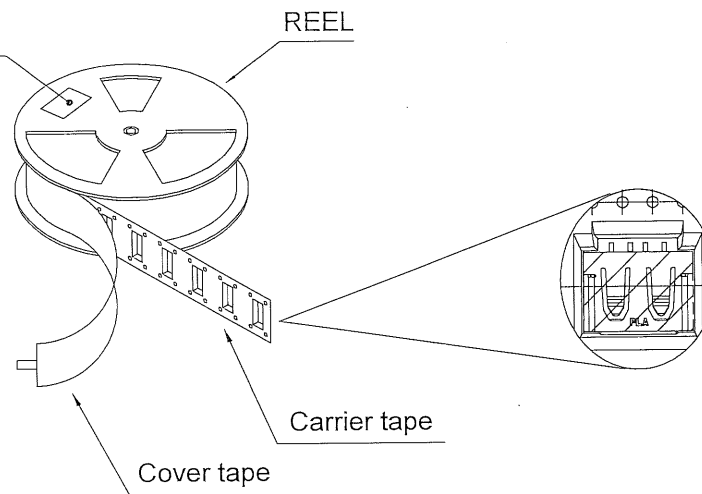
D

E



VIEW 4

标签黏贴处(朝卷装包材的小定位孔一侧)
Location of label sticking (label at small positioning hole of the carrier tape side)



VIEW 5

备注 (NOTES):

1. 每卷包装数量及每箱装箱数量如下表格。
Packing Q'ty of each reel & carton as below table shown.
2. 上胶带覆盖下包装带用自粘包装。
Use cover tape to cover and seal up.
3. 每个纸箱放2个珍珠棉。
Every carton use 2pcs EPE.
4. 将装满产品的卷盘放入纸箱并以胶带封口。
Put reels in the carton and use adhesive tape to seal up.

产品料号 (Product No.)	包装数量(Packing Quantity)		
	PCS/REEL	REELS/CARTON	PCS/CARTON
MAAGB004CU00	350	7	2450

	TOLERANCE TABLE		SCALE 1:1	DRAWN 李思洁	DATE 2022/01/10	DWG. NO. 600-0000-1876	TITLE CUSTOMER DRAWING	REV. 3
	X. ± 0.30	X. ° ± 3°	UNIT mm	CHECK 李思洁	DATE 2022/01/10			PARTS NO.(INTENDED USE) MAAGB004CU00
	.X ± 0.25	.X ° ± 2°	SIZE A4	APPROVE 李思洁	DATE 2022/01/10			
	.XX ± 0.20							