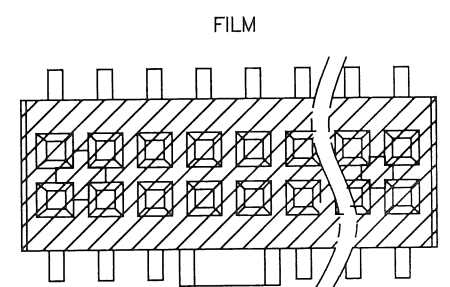
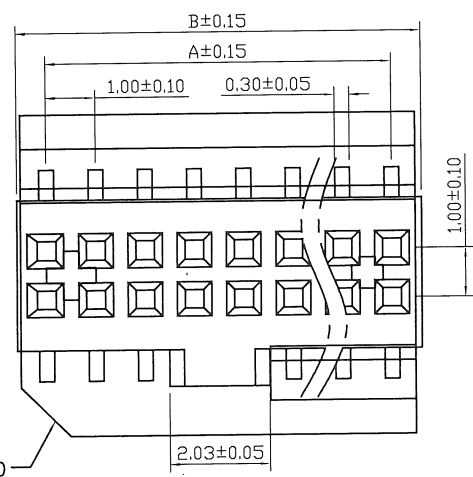
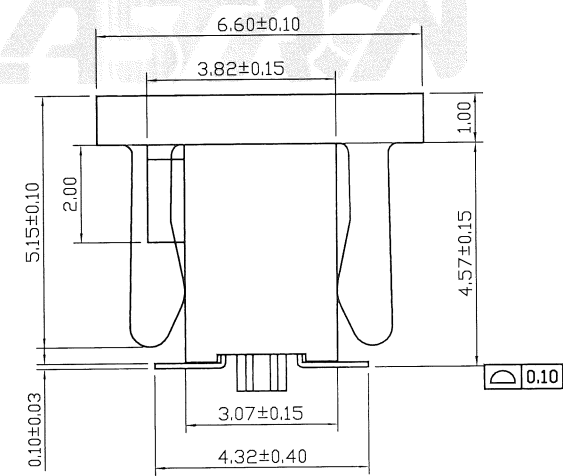
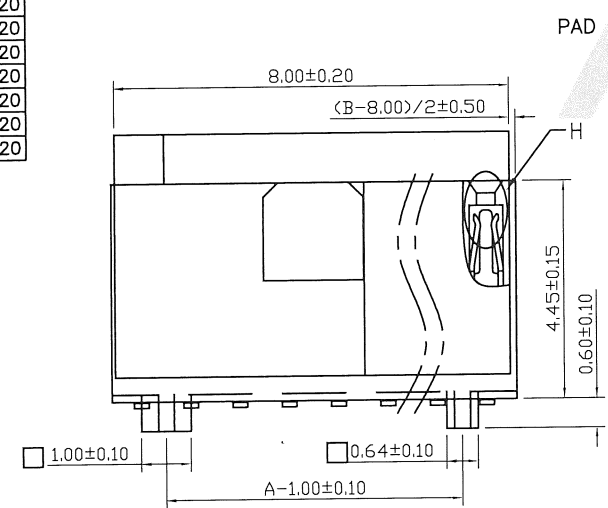
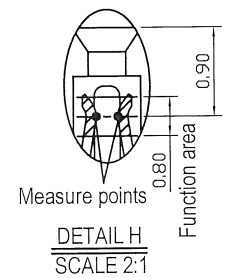


Contacts	A	B
6	2.00	3.20
8	3.00	4.20
10	4.00	5.20
12	5.00	6.20
14	6.00	7.20
16	7.00	8.20
18	8.00	9.20
20	9.00	10.20
22	10.00	11.20
24	11.00	12.20
26	12.00	13.20
28	13.00	14.20
30	14.00	15.20
32	15.00	16.20
34	16.00	17.20
36	17.00	18.20
38	18.00	19.20
40	19.00	20.20
42	20.00	21.20
44	21.00	22.20
46	22.00	23.20
48	23.00	24.20
50	24.00	25.20
52	25.00	26.20
54	26.00	27.20
56	27.00	28.20
58	28.00	29.20
60	29.00	30.20
62	30.00	31.20
64	31.00	32.20



FILM F1 FOR 40 PIN KT019 W=20.4



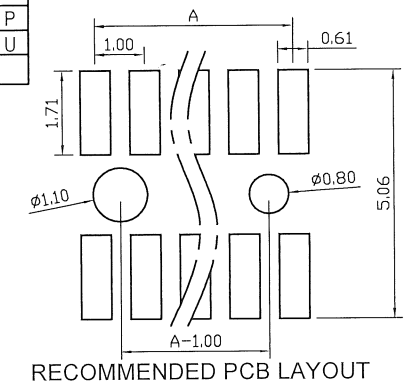
版次	ECN 编码	描述		设计/日期
		改前	改后	
12	EW11100001		修改Layout尺寸	严腾旺_2017/09/07
13	EL23030026		更换新图框	江蒙_2023/03/09

- NOTES: (Unless otherwise specified)
- Dimension shall be interpreted per ANSI Y14.5M.
 - Materials:
Insulator material: High Temperature Thermoplastic, UL 94V-0; Color: Black.
Contact material: Phosphor Bronze.
 - Current Rating: 1A.
 - Voltage Rating: 30V AC/DC.
 - Working Temperature: -40°C ~ +105°C.
 - Harmful material should be compliant to doc. "EI-0005" standards.
 - Product number matrix:

SPUFZ-XXS2-X-X-X-X
Number of contacts: []
Plating Code: []

Definition	Code
⊙ Tin plated :	A
⊙ Gold plated :	
flash B 15U"	F
10U" E 30U"	J
⊙ Duplex plating :	
flash K 15U"	P
10U" N 30U"	U
⊙ Standard: B	

NULL: TUBE(W/O PAD)
P: PAD+TUBE
R: PAD+REEL
F1: FILM+TUBE
NULL: With Polarization Bump
0: W/O Polarization Bump
0: W/O Locating peg
1: With Locating peg



TOLERANCE TABLE		SCALE	DRAWN	DATE	DWG. NO.	TITLE	REV.
X. ± 0.30	X.° ± 3°	2.5:1	江蒙	2023/03/09	600-0000-0260	CUSTOMER DRAWING	13
.X ± 0.25	.X° ± 2°	UNIT mm	CHECK 李昌海	DATE 2023/03/15	PARTS NO.(INTENDED USE) SPUFZ-XXS2-X-X-X-X		SHEET
.XX ± 0.20		SIZE A4	APPROVE 江蒙	DATE 2023/03/15			1/1