

Contacts No. of	DIMENSIONS	
	A	B
06	2.00	3.43
08	3.00	4.43
10	4.00	5.43
12	5.00	6.43
14	6.00	7.43
16	7.00	8.43
18	8.00	9.43
20	9.00	10.43
22	10.00	11.43
24	11.00	12.43
26	12.00	13.43
28	13.00	14.43
30	14.00	15.43
32	15.00	16.43
34	16.00	17.43
36	17.00	18.43
38	18.00	19.43
40	19.00	20.43
42	20.00	21.43
44	21.00	22.43
46	22.00	23.43
48	23.00	24.43
50	24.00	25.43
52	25.00	26.43
54	26.00	27.43
56	27.00	28.43
58	28.00	29.43
60	29.00	30.43
62	30.00	31.43
64	31.00	32.43
66	32.00	33.43
68	33.00	34.43
70	34.00	35.43
72	35.00	36.43
74	36.00	37.43
76	37.00	38.43
78	38.00	39.43
80	39.00	40.43
82	40.00	41.43
84	41.00	42.43
86	42.00	43.43
88	43.00	44.43
90	44.00	45.43
92	45.00	46.43
94	46.00	47.43
96	47.00	48.43
98	48.00	49.43
100	49.00	50.43

A

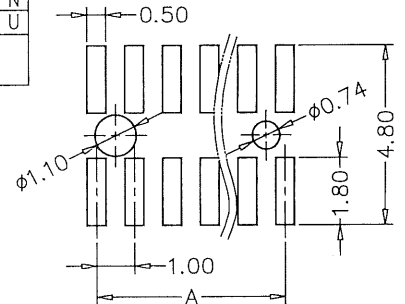
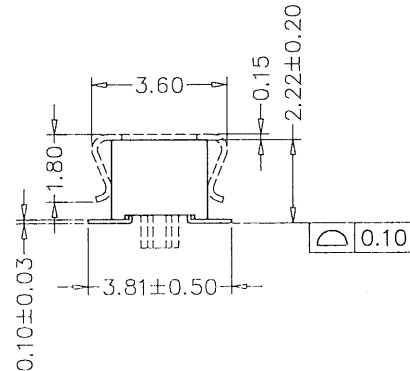
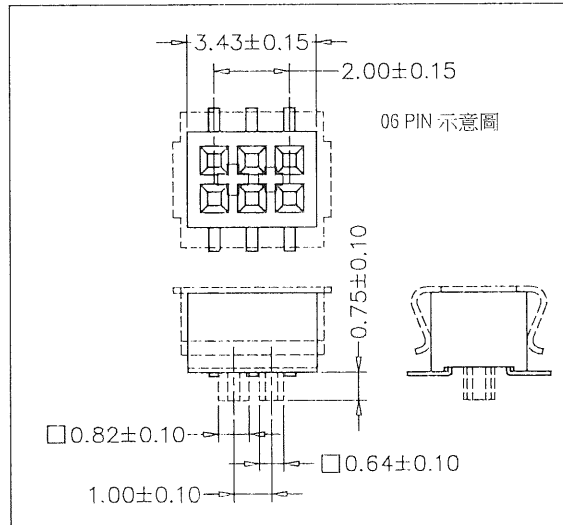
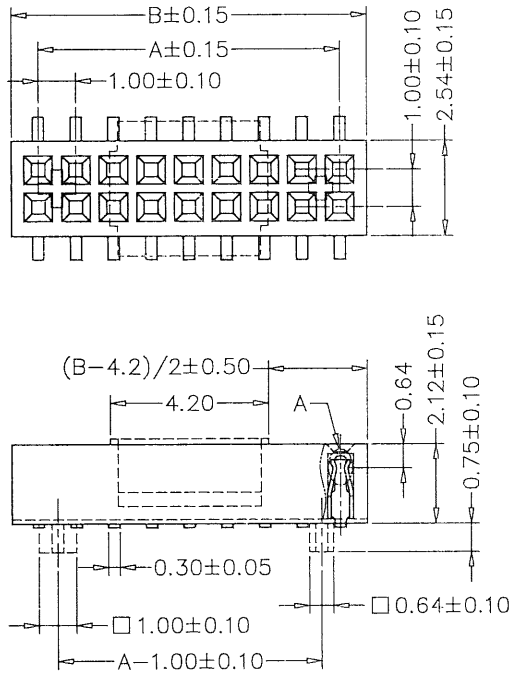
B

C

D

E

Detail A  
Scale 2:1



版次	ECN 编码	描述		设计/日期
6	EH08050144	改前	改后	范财柏_2008/04/15
		/	新增规格	
7	EL22010017	/	更换新图框	刘恋_2022/01/05

NOTES: (Unless otherwise specified)

1. Dimension shall be interpreted per ANSI Y14.5M.

2. Materials:

Insulator material: High Temperature Thermoplastic, UL 94V-0;

Contact material: Copper Alloy

3. Current Rating: 1A Per Pin.

4. Voltage Rating: 30V AC/DC.

5. Working Temperature: -40°C ~ +105°C.

6. Harmful material should be compliant to doc.

"EI-0005" standards.

7. Product number matrix:

SPUFZ-XXS3-X-X-*		Contact Plating	
Definition	Code	Definition	Code
Number of Contacts		① Tin plated	A
Height: 2.12mm	S3	② Gold plated:	
		flash B	5 u"
		15u"	F
		20u"	G
		30u"	J
		③ Duplex plated:	
		flash K	5 u"
		15u"	P
		20u"	Q
		30u"	U
		④ Standard: B	
		All plating is lead free	

Definition	Code
① Tin plated	A
② Gold plated:	
flash B	5 u"
15u"	F
20u"	G
30u"	J
③ Duplex plated:	
flash K	5 u"
15u"	P
20u"	Q
30u"	U
④ Standard: B	
All plating is lead free	

RECOMMENDED PCB LAYOUT  
(PCB TOLERANCE ±0.05)



TOLERANCE TABLE

X. ± 0.30	X.° ± 3°
.X ± 0.25	.X° ± 2°
.XX ± 0.20	

SCALE 5:1

UNIT	mm
SIZE	A4

DRAWN

刘恋

DATE

2022/01/05

CHECK

李景涛

DATE

2022/01/10

APPROVE

刘恋

DATE

2022/01/10

DWG. NO.

600-0000-0229

PARTS NO. (INTENDED USE)

SPUFZ-XXS3-X-X-\*

TITLE

CUSTOMER DRAWING

REV.

7

SHEET

1/1

A

B

C

D

E