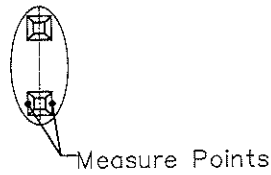
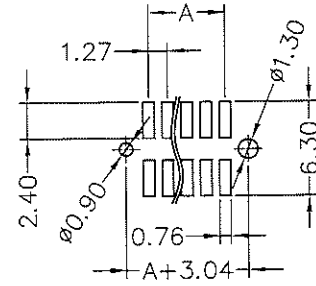
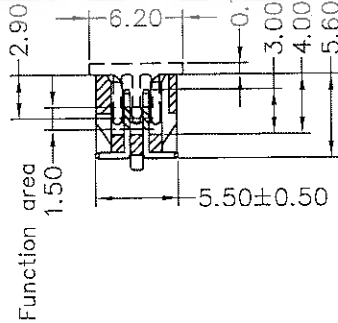
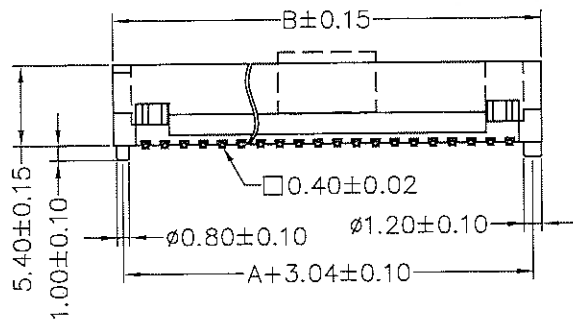
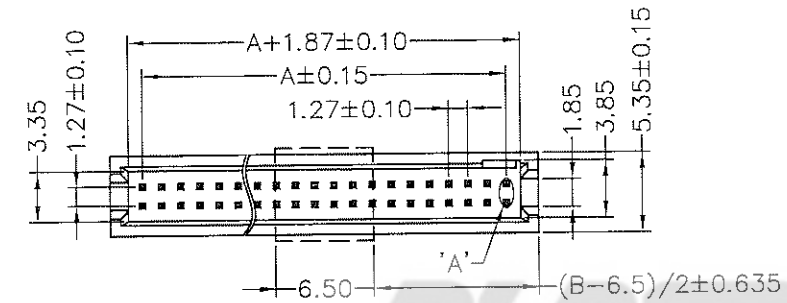


No. of Contacts	DIMENSIONS	
	A	B
10	5.08	9.35
12	6.35	10.62
14	7.62	11.89
16	8.89	13.16
18	10.16	14.43
20	11.43	15.70
22	12.70	16.97
24	13.97	18.24
26	15.24	19.51
28	16.51	20.78
30	17.78	22.05
32	19.05	23.32
34	20.32	24.59
36	21.59	25.86
38	22.86	27.13
40	24.13	28.40
42	25.40	29.67
44	26.67	30.94
46	27.94	32.21
48	29.21	33.48
50	30.48	34.75
52	31.75	36.02
54	33.02	37.29
56	34.29	38.56
58	35.56	39.83
60	36.83	41.10
62	38.10	42.37
64	39.37	43.64
66	40.64	44.91
68	41.91	46.18
70	43.18	47.45
72	44.45	48.72
74	45.72	49.99
76	46.99	51.26
78	48.26	52.53
80	49.53	53.80
82	50.80	55.07
84	52.07	56.34
86	53.34	57.61
88	54.61	58.88
90	55.88	60.15
92	57.15	61.42
94	58.42	62.69
96	59.69	63.96
98	60.96	65.23
100	62.23	66.50



Detail A
Scale 4:1



Recommended PCB Layout
(PCB TOLERANCE ±0.05)

版次	ECN 编码	描述		设计/日期
7	CH12070322	改前	改后	罗继明_2012/07/24
		/	更新图画	
8	EW21110010	/	更换新图框	刘恋_2021/11/15

- NOTES: (Unless otherwise specified)
- Dimension shall be interpreted per ANSI Y14.5M.
 - Materials:
Insulator material: High Temperature Thermoplastic, UL 94V-0;
Contact material: Copper alloy.
 - Current Rating: 1A.
 - Voltage Rating: 30V AC/DC.
 - Working Temperature: -40°C ~ +105°C.
 - Harmful material should be compliant to doc."EI-0005" standards.
 - Product number matrix:

SPOSA-XX-X-X-*

Number of Contacts: []

Plating Code: []

NULL: TUBE(W/O PAD)
P: PAD+TUBE
R: PAD+REEL

0: W/O Locating peg
1: With Locating peg

Definition	Code
◎ Tin plated	A
◎ Gold plated :	
flash B 5u" D 10u" E	
15u" F 20u" G 30u" J	
◎ Duplex plated :	
flash K 5u" M 10u" N	
15u" P 20u" Q 30u" U	
◎ Standard: B	



TOLERANCE TABLE		SCALE	DRAWN	DATE	DWG. NO.	TITLE	REV.
X. ± 0.30	X.° ± 3°	2:1	刘恋	2021/11/15	600-0000-0002	CUSTOMER DRAWING	8
.X ± 0.25	.X° ± 2°	UNIT mm	CHECK 李晨涛	DATE 2021/11/17	PARTS NO.(INTENDED USE)		SHEET
.XX ± 0.20		SIZE A4	APPROVE 刘恋	DATE 2021/11/17	SPOSA-XX-X-X-*		1/1