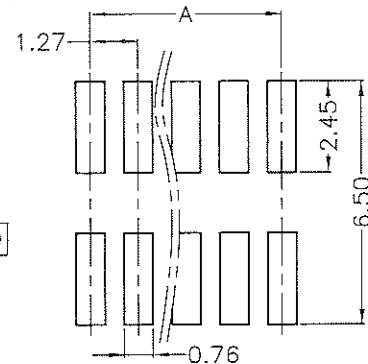
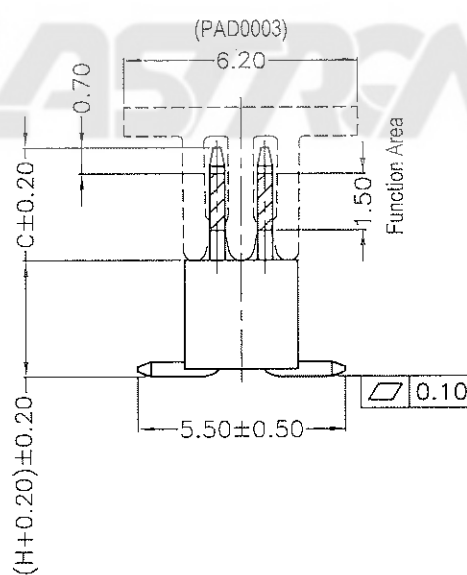
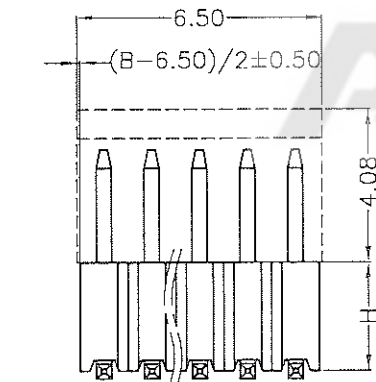
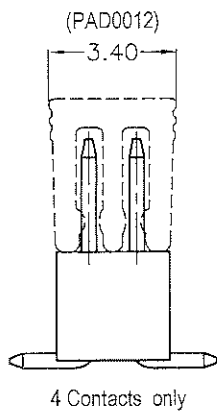


PIN数	尺寸	
	A	B
04	1.27	2.54
06	2.54	3.81
08	3.81	5.08
10	5.08	6.35
12	6.35	7.62
14	7.62	8.89
16	8.89	10.16
18	10.16	11.43
20	11.43	12.70
22	12.70	13.97
24	13.97	15.24
26	15.24	16.51
28	16.51	17.78
30	17.78	19.05
32	19.05	20.32
34	20.32	21.59
36	21.59	22.86
38	22.86	24.13
40	24.13	25.40
42	25.40	26.67
44	26.67	27.94
46	27.94	29.21
48	29.21	30.48
50	30.48	31.75
52	31.75	33.02
54	33.02	34.29
56	34.29	35.56
58	35.56	36.83
60	36.83	38.10
62	38.10	39.37
64	39.37	40.64
66	40.64	41.91
68	41.91	43.18
70	43.18	44.45
72	44.45	45.72
74	45.72	46.99
76	46.99	48.26
78	48.26	49.53
80	49.53	50.80
82	50.80	52.07
84	52.07	53.34
86	53.34	54.61
88	54.61	55.88
90	55.88	57.15
92	57.15	58.42
94	58.42	59.69
96	59.69	60.96
98	60.96	62.23
100	62.23	63.50

Contacts	PAD
4PIN	PAD0012
>4PIN	PAD0003



RECOMMENDED PCB LAYOUT
(PCB TOLERANCE ±0.05)

版次	ECN 编码	描述		设计/日期
9	CW11120034	改前	改后	刘恋_2018/06/13
		PAD0012	增加大于4PIN PAD	
10	EW20110017	/	增加20~100PIN	刘恋_2021/11/20

NOTES: (Unless otherwise specified)

1. Dimension shall be interpreted per ANSI Y14.5M.

2. Materials:

Insulator material: High Temperature Thermoplastic, UL 94V-0; Color: Black.

Contact material: Copper Alloy

3. Current Rating: 1 A Per Pin.

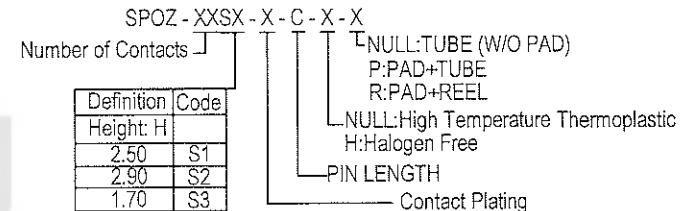
4. Voltage Rating: 30V AC/DC.

5. Working Temperature: -40°C ~ +105°C.

6. Harmful material should be compliant to doc.

"EI-0005" standards.

7. Product number matrix:



TOLERANCE TABLE		SCALE	DRAWN	DATE	DWG. NO.	TITLE	REV.
X. ± 0.30	X.° ± 3°	5:1	刘恋	2021/11/20	600-0000-0171	CUSTOMER DRAWING	10
.X ± 0.25	.X° ± 2°	UNIT mm	李昌涛	2021/11/26			PARTS NO. (INTENDED USE)
.XX ± 0.20		SIZE A4	张明	2021/11/26	SPOZ-XXSX-X-C-X-X		1/1