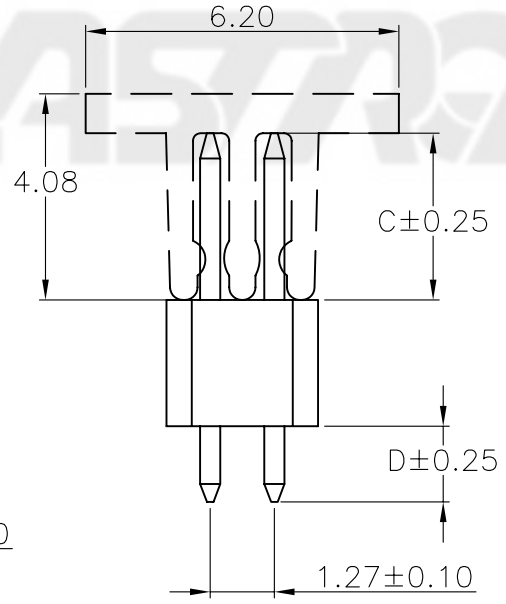
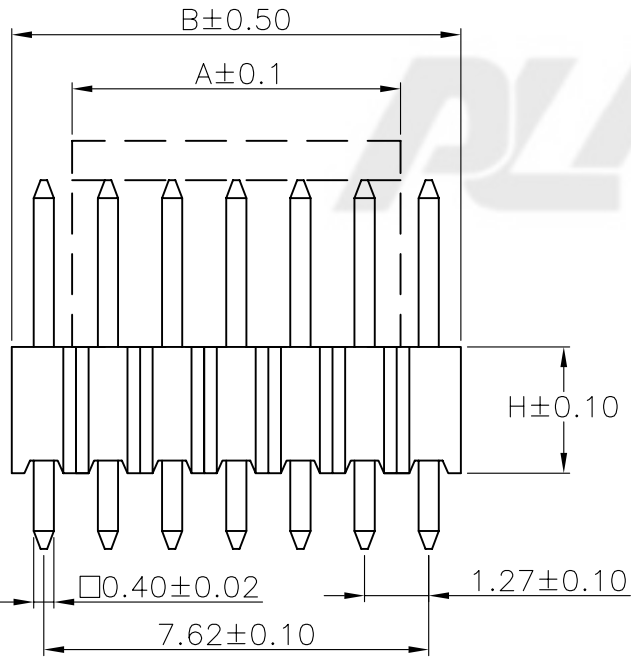
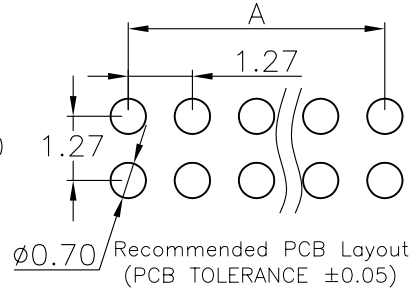
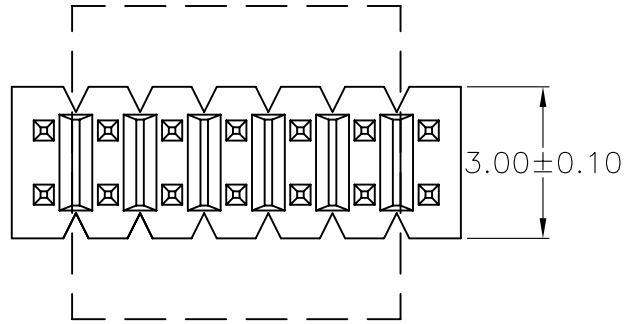


No. of Contacts	DIMENSIONS	
	A	B
6	2.54	3.81
8	3.81	5.08
10	5.08	6.35
12	6.35	7.62
14	7.62	8.89
16	8.89	10.16
18	10.16	11.43
20	11.43	12.70
22	12.70	13.97
24	13.97	15.24
26	15.24	16.51
28	16.51	17.78
30	17.78	19.05
32	19.05	20.32
34	20.32	21.59
36	21.59	22.86
38	22.86	24.13
40	24.13	25.40
42	25.40	26.67
44	26.67	27.94
46	27.94	29.21
48	29.21	30.48
50	30.48	31.75
52	31.75	33.02
54	33.02	34.29
56	34.29	35.56
58	35.56	36.83
60	36.83	38.10
62	38.10	39.37
64	39.37	40.64
66	40.64	41.91
68	41.91	43.18
70	43.18	44.45
72	44.45	45.72
74	45.72	46.99
76	46.99	48.26
78	48.26	49.53
80	49.53	50.80
82	50.80	52.07
84	52.07	53.34
86	53.34	54.61
88	54.61	55.88
90	55.88	57.15
92	57.15	58.42
94	58.42	59.69
96	59.69	60.96
98	60.96	62.23
100	62.23	63.50



Rev.	ECN Number	Description	Drawn
1	CH13030124	初版發行	羅繼明_02/27'13

- NOTES: (UNLESS OTHERWISE SPECIFIED)
- DIMENSION SHALL BE INTERPRETED PER ANSI Y14.5M-1994
 - CONTACT RETENTION FORCE: 250g MIN. PER CONTACT.
 - CURRENT RATING: 1 AMPS.
 - DIELECTRIC WITHSTANDING VOLTAGE: 500V AC rms./MINUTE.
 - DURABILITY: 50 CYCLES.
 - CONTACT RESISTANCE: 20 m ohms MAX. FOR INITIAL.
 - INSULATION RESISTANCE: 5000 Megohms MIN..
 - OPERATING TEMPERATURE: -40°C~+105°C.
 - HARMFUL MATERIAL SHOULD BE COMPLIANT TO DOC. "EI-0005" STANDARDS.
 - PRODUCT NUMBER MATRIX:

POZ-XXSX-X-C/D-X-*

Number of Contacts: XX
 Contact Plating: S
 C/D: C/D
 X: X
 * : NULL:TUBE
 R:PAD+REEL
 NULL:Thermoplastic
 F:High Temperature
 Thermoplastic
 H:Halogen free

Pin Length
 If C/D is 033/015
 DIM C=3.3, DIM D=1.5

Definition	Code		
◎ Tin plated:	A		
◎ Gold plated:			
flash	B	15μ"	F
10μ"	E	30μ"	J
◎Duplex plating:			
flash	K	15μ"	P
10μ"	N	30μ"	U
◎Standard: B			

H	
S1	2.5
S2	2.9
S3	1.7



GENERAL TOLERANCE		SCALE	ORIGINAL DRAWN	DATE	DWG. NO.	TITLE	REV.
XX. ±	XXX. ±	1:1	羅繼明	02/27'13	600-0000-1251	CUSTOMER DRAWING	1
X. ± 0.30	.XXX ±	UNIT	呂世松	02/27'13			PARTS NO.(INTENDED USE) POZ-XXSX-X-C/D-X-*
.X ± 0.25	X.* ± 3°	MM	賀望科	02/27'13	1/1		
.XX ± 0.20	.X* ± 2°	SIZE					