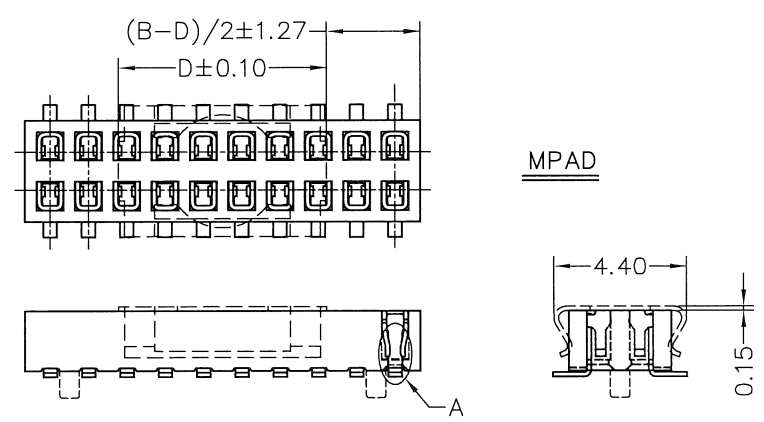
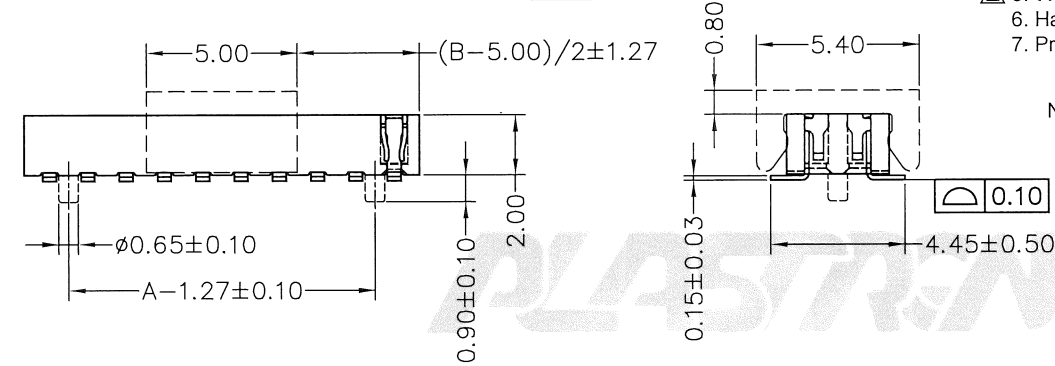
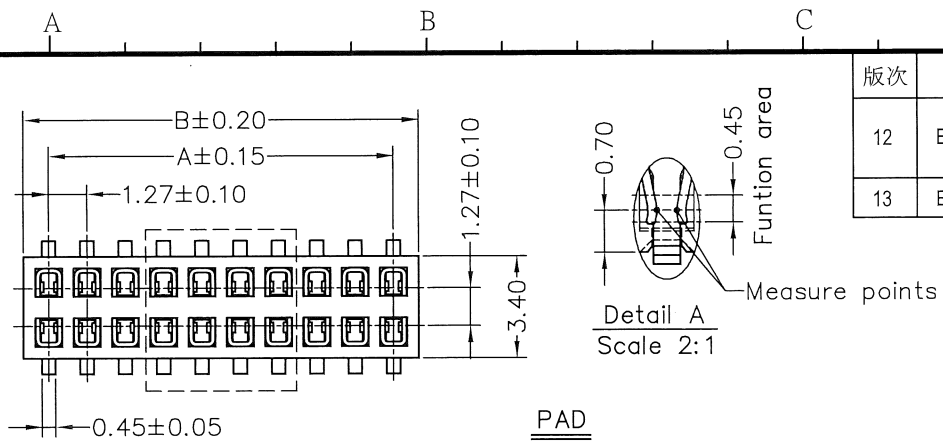


No. of Contacts	DIMENSIONS	
	A	B
4	1.27	2.94
6	2.54	4.21
8	3.81	5.48
10	5.08	6.75
12	6.35	8.02
14	7.62	9.29
16	8.89	10.56
18	10.16	11.83
20	11.43	13.10
22	12.70	14.37
24	13.97	15.64
26	15.24	16.91
28	16.51	18.18
30	17.78	19.45
32	19.05	20.72
34	20.32	21.99
36	21.59	23.26
38	22.86	24.53
40	24.13	25.80
42	25.40	27.07
44	26.67	28.34
46	27.94	29.61
48	29.21	30.88
50	30.48	32.15
52	31.75	33.42
54	33.02	34.69
56	34.29	35.96
58	35.56	37.23
60	36.83	38.50
62	38.10	39.77
64	39.37	41.04
66	40.64	42.31
68	41.91	43.58
70	43.18	44.85
72	44.45	46.12
74	45.72	47.39
76	46.99	48.66
78	48.26	49.93
80	49.53	51.20
82	50.80	52.47
84	52.07	53.74
86	53.34	55.01
88	54.61	56.28
90	55.88	57.55
92	57.15	58.82
94	58.42	60.09
96	59.69	61.36
98	60.96	62.63
100	62.23	63.90



版次	ECN 编码	描述		设计/日期
12	EL21120015	改前	改后	刘恋_2021/12/03
		/	更换图框	
13	EL22090105	工作温度-40℃-105℃	工作温度-40℃-125℃	江蒙_2022/09/27

- NOTES: (Unless otherwise specified)
- Dimension shall be interpreted per ANSI Y14.5M.
  - Materials:  
Insulator material: High Temperature Thermoplastic, UL 94V-0;  
Contact material: Copper alloy.
  - Current Rating: 1A.
  - Voltage Rating: 30V AC/DC.
  - Working Temperature: -40℃ ~ +125℃.
  - Harmful material should be compliant to doc."EI-0005" standards.
  - Product number matrix:

SPNBF-XX-X-X-\*\*\*

Number of contacts: [ ]

Plating Code: [ ]

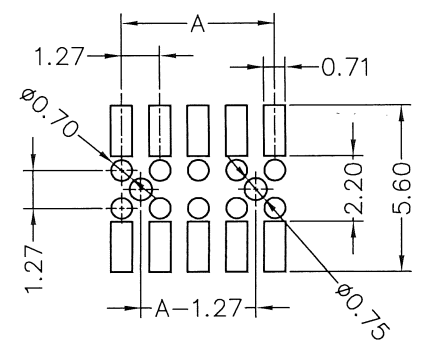
Definition	Code
● Tin plated	A
● Gold plated	
flash	B 15u" F
10u"	E 30u" J
3u"	C
● Standard: B	

NULL:TUBE(W/O MPAD)  
P:PAD+TUBE  
R:PAD+REEL  
E:MPAD+TUBE  
B:MPAD+REEL  
K:REEL(W/O PAD)

NULL:PA9T  
H:LCP

0:W/O Locating peg  
1:With Locating peg

MPAD	D
含8pin以下	4.20
含10pin以上	6.90



Recommended PCB layout  
(PCB TOLERANCE: ±0.05)



TOLERANCE TABLE		SCALE	DRAWN	DATE	DWG. NO.	TITLE	REV.	
X ± 0.30	X° ± 3°	4:1	江蒙	2022/09/27	600-0000-0266	CUSTOMER DRAWING	13	
X ± 0.25	X° ± 2°	UNIT	CHECK	DATE	PARTS NO.(INTENDED USE)		SPNBF-XX-X-X-***	SHEET
.XX ± 0.20		mm	APPROVE	DATE				1/1

A B C D E