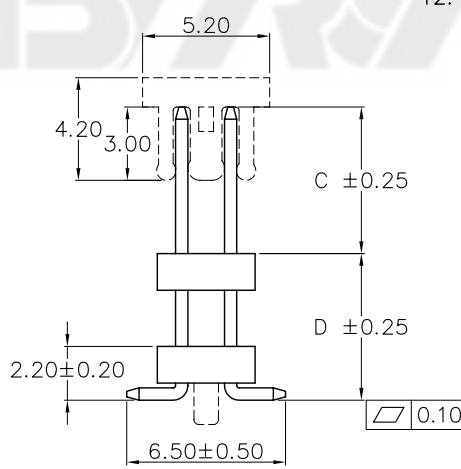
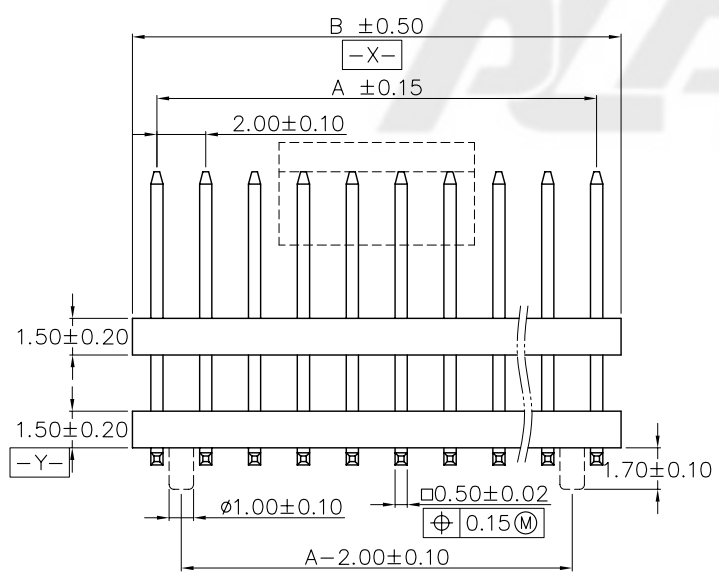


Rev.	ECN Number	Description	Drawn
37	EH08030128	新增規格	Ken Deng 4/15'08
38	CH10110031	新增無鹵料號	楊加林 09/06'10

NOTES: (UNLESS OTHERWISE SPECIFIED)

1. DIMENSION SHALL BE INTERPRETED PER ANSI Y14.5M-1994
2. CONTACT RETENTION FORCE: 300g MIN. PER CONTACT.
3. DURABILITY: 50 CYCLES MIN..
4. CONTACT RESISTANCE: 20 m ohms MAX. FOR INITIAL.
5. CURRENT RATING: 1 AMPS.
6. RATING VOLTAGE: 30V AC/DC.
7. DIELECTRIC WITHSTANDING VOLTAGE: 500V AC rms./MINUTE.
8. INSULATION RESISTANCE: 5000 Megohms MIN..
9. OPERATING TEMPERATURE: -40°~+105°C.
10. HARMFUL MATERIAL SHOULD BE COMPLIANT TO DOC. "EI-0005" STANDARDS.
11. MATERIAL: HIGH TEMPERATURE THERMOPLASTIC,UL 94V-0,
12. PRODUCT NUMBER MATRIX:



SXF-XX-X-C/D-X-X-*

Brass
Bandolier(Brass) L
Phosphor Bronze B
Standard: L P

Number of contacts

Pin Length
if C/D is 040/084,
DIM C=4.00, D=8.40

NULL: W/O PAD
P: PAD+TUBE
R: PAD+REEL
NULL: High Temperature Thermoplastic
H: Halogen free
0: W/O LOCATING PEG
1: WITH LOCATING PEG

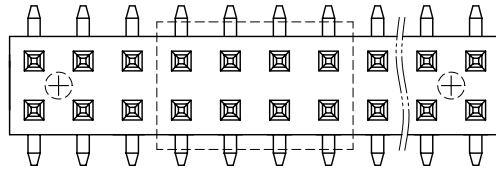
Definition	Code
⊙ Tin plated	A
⊙ Gold plated:	
flash B 5 μ"	D 10 μ"
15 μ" F 20 μ"	G 30 μ" J
⊙ Duplex plated	
flash K 5 μ"	M 10 μ"
15 μ" P 20 μ"	Q 30 μ" U
⊙ Standard: B	
⊙ Prefix "V" means lead free plating	



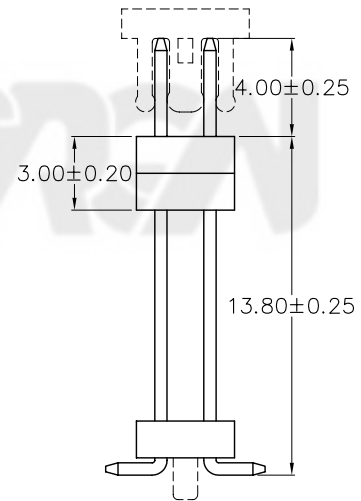
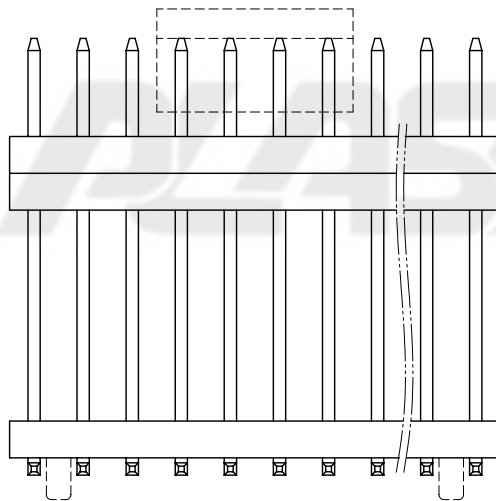
GENERAL TOLERANCE		SCALE	ORIGINAL DRAWN	DATE	DWG. NO.	TITLE	REV.
XX. ±	XXX. ±	N/A	Herod huang	03/06'07	600-0000-0088	CUSTOMER DRAWING	38
X. ± 0.15	.XXX ±	UNIT	Lane Sun	09/06'10			
.X ± 0.25	X.* ± 3°	MM	CHECK	DATE	PARTS NO.(INTENDED USE)		SHEET
.XX ± 0.20	.X.* ± 2°	SIZE	Liss Xiang	09/06'10			
		A4	APPROVE		SXF-XX-X-C/D-X-X-*		1/2

A B C D E

No. of Contacts	DIMENSIONS	
	A	B
4	2.00	4.00
6	4.00	6.00
8	6.00	8.00
10	8.00	10.00
12	10.00	12.00
14	12.00	14.00
16	14.00	16.00
18	16.00	18.00
20	18.00	20.00
22	20.00	22.00
24	22.00	24.00
26	24.00	26.00
28	26.00	28.00
30	28.00	30.00
32	30.00	32.00
34	32.00	34.00
36	34.00	36.00
38	36.00	38.00
40	38.00	40.00
42	40.00	42.00
44	42.00	44.00
46	44.00	46.00
48	46.00	48.00
50	48.00	50.00
52	50.00	52.00
54	52.00	54.00
56	54.00	56.00
58	56.00	58.00
60	58.00	60.00
62	60.00	62.00
64	62.00	64.00
66	64.00	66.00
68	66.00	68.00
70	68.00	70.00
72	70.00	72.00
74	72.00	74.00
76	74.00	76.00
78	76.00	78.00
80	78.00	80.00



© SPECIAL P/N: SLF-16-X-040/138-1
FOR 中強光電



1

2

3

1

2

3



GENERAL TOLERANCE		SCALE 1=1	ORIGINAL DRAWN Herod huang	DATE 03/06'07	DWG. NO. 600-0000-0088	TITLE CUSTOMER DRAWING	REV. 38
XX. ± 0.50	XXX. ±	UNIT MM	CHECK Lane Sun	DATE 09/06'10			PARTS NO.(INTENDED USE) SXF-XX-X-C/D-X-X*
X. ± 0.40	.XXX ±		SIZE A4	APPROVE Liss Xiang	DATE 09/06'10		
.X ± 0.25	X.° ± 4'						
.XX ± 0.20	.X° ± 4'						

A B C D E