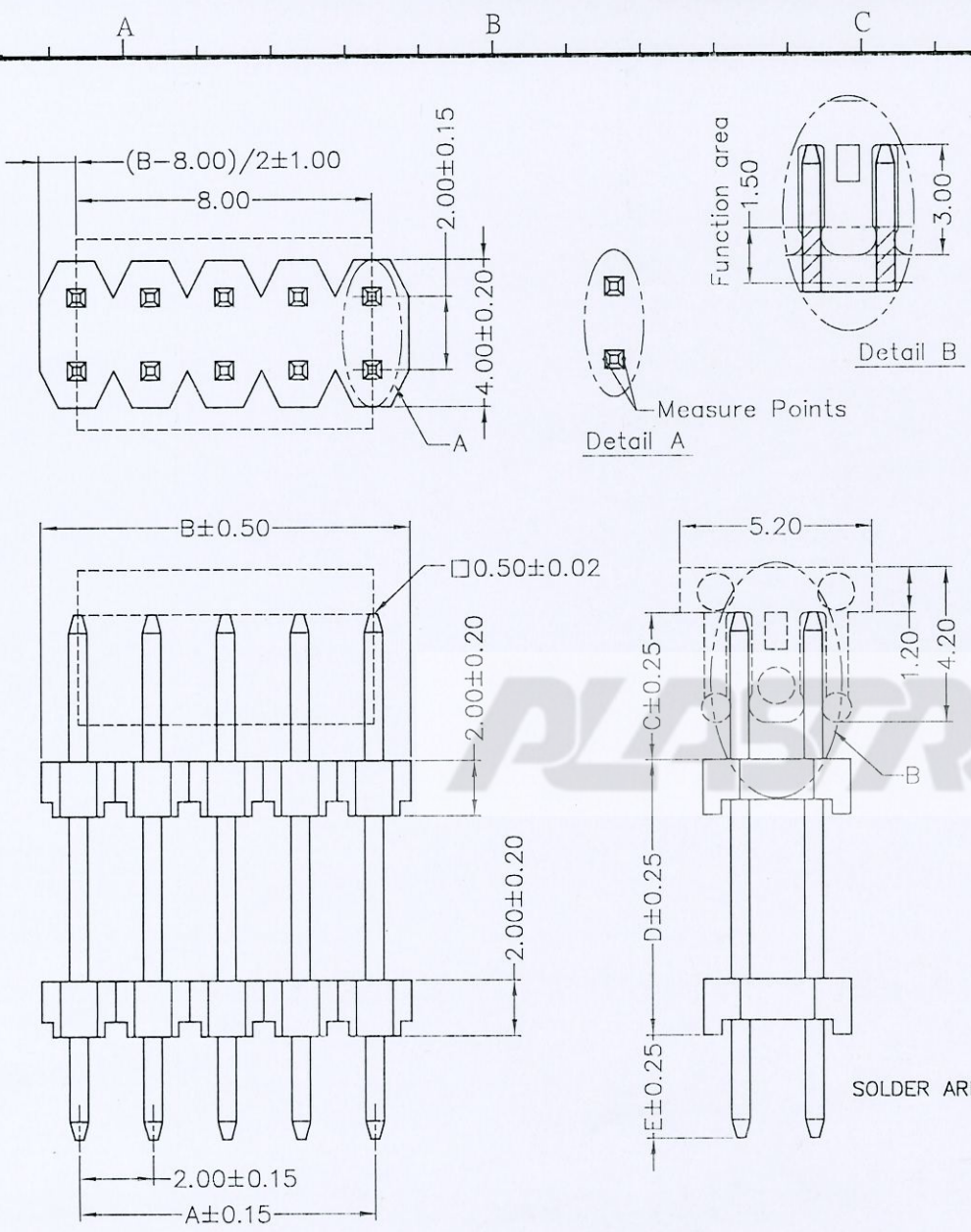


80	78.00	80.00
78	76.00	78.00
76	74.00	76.00
74	72.00	74.00
72	70.00	72.00
70	68.00	70.00
68	66.00	68.00
66	64.00	66.00
64	62.00	64.00
62	60.00	62.00
60	58.00	60.00
58	56.00	58.00
56	54.00	56.00
54	52.00	54.00
52	50.00	52.00
50	48.00	50.00
48	46.00	48.00
46	44.00	46.00
44	42.00	44.00
42	40.00	42.00
40	38.00	40.00
38	36.00	38.00
36	34.00	36.00
34	32.00	34.00
32	30.00	32.00
30	28.00	30.00
28	26.00	28.00
26	24.00	26.00
24	22.00	24.00
22	20.00	22.00
20	18.00	20.00
18	16.00	18.00
16	14.00	16.00
14	12.00	14.00
12	10.00	12.00
10	8.00	10.00
8	6.00	8.00
6	4.00	6.00
4	2.00	4.00
Contacts	A	B
No. of	DIMENSIONS	



版次	ECN 编码	描述		设计/日期
65	EL21070080	改前	改后	李思洁_2021/07/27
		额定电流为1A	额定电流为2A	
66	EL21120033	/	更换新图框	刘恋_2021/12/08

- NOTES: (Unless otherwise specified)
- Dimension shall be interpreted per ANSI Y14.5M.
  - Materials:  
Insulator material: High Temperature Thermoplastic, UL 94V-0;  
Contact material: Copper alloy.
  - Current Rating: 2A.
  - Voltage Rating: 30V AC/DC.
  - Working Temperature:  $-40^{\circ}\text{C} \sim +105^{\circ}\text{C}$ .
  - Harmful material should be compliant to doc."EI-0005" standards.
  - Product number matrix:

Pin type

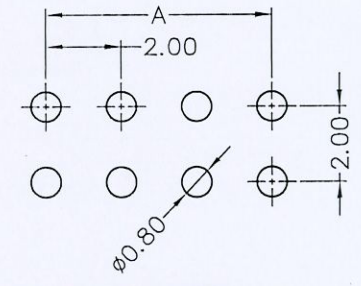
Brass	L
Bandolier(Brass)	B
Phosphor Bronze	P
Standard: L	

Number of Contacts: XF-XX-X-C/D/E-\*\*\*

Contact Plating: NULL:PE袋, P:PAD+TUBE, R:PAD+REEL; NULL:PBT, F:PA6T/PA9T有窗, H:LCP/PA9T无窗

Pin Length

Definition	Code			
◎ Tin plated	A			
◎ Gold plated:				
flash	B	5 μ"	D	10 μ"
15 μ"	F	20 μ"	G	30 μ"
◎ Duplex plated				
flash	K	5 μ"	M	10 μ"
15 μ"	P	20 μ"	Q	30 μ"
◎ Standard: B				
◎ Lead free plating				



TOLERANCE TABLE	SCALE	5:1	DRAWN	刘恋	DATE	2021/12/08	DWG. NO.	600-0000-0263	TITLE	REV.
	X. $\pm$ 0.30	X.° $\pm$ 3°	UNIT	mm	CHECK	李昌涛	DATE	2021/12/08	CUSTOMER DRAWING	66
	.X $\pm$ 0.25	.X° $\pm$ 2°	SIZE	A4	APPROVE	刘恋	DATE	2021/12/08		SHEET
.XX $\pm$ 0.20							PARTS NO.(INTENDED USE)	XF-XX-X-C/D/E-***		