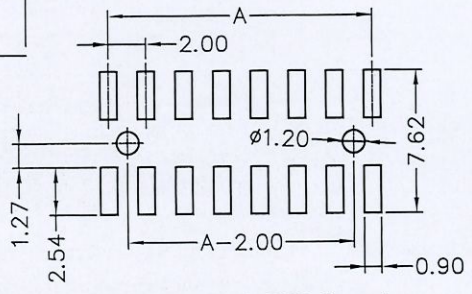
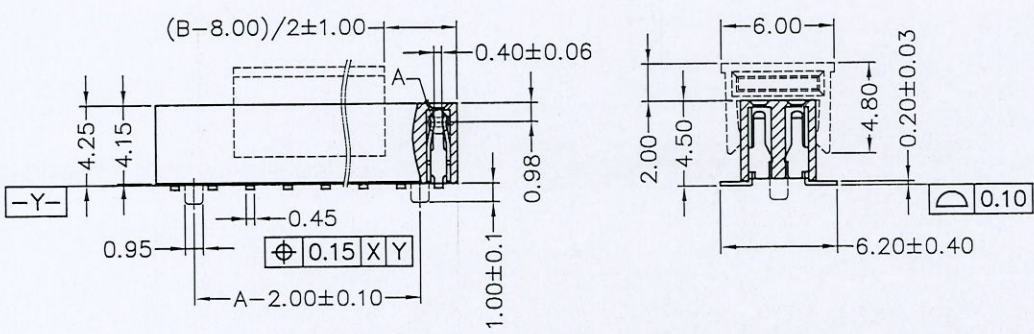
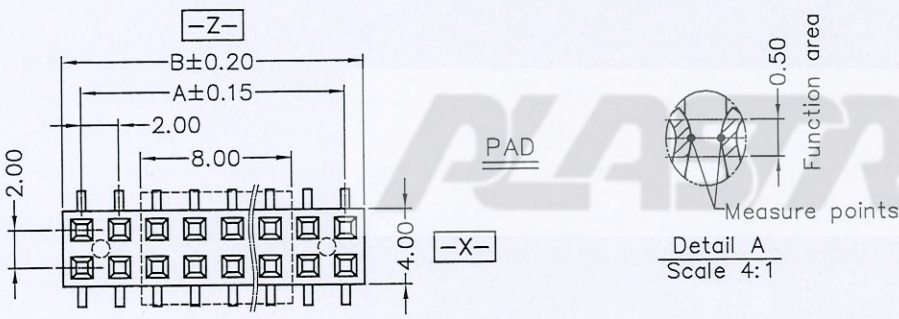
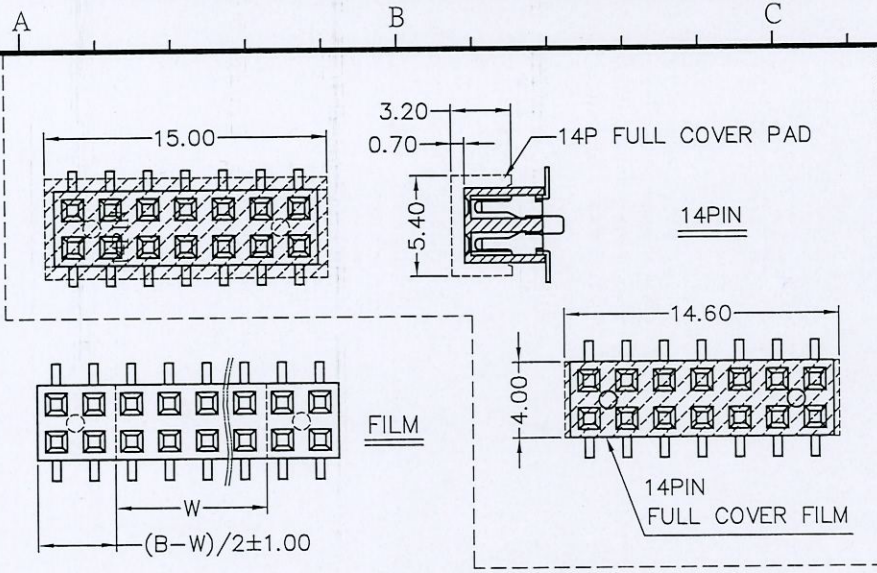


No. of contacts	DIM.A	DIM.B
04	2.00	4.00
06	4.00	6.00
08	6.00	8.00
10	8.00	10.00
12	10.00	12.00
14	12.00	14.00
16	14.00	16.00
18	16.00	18.00
20	18.00	20.00
22	20.00	22.00
24	22.00	24.00
26	24.00	26.00
28	26.00	28.00
30	28.00	30.00
32	30.00	32.00
34	32.00	34.00
36	34.00	36.00
38	36.00	38.00
40	38.00	40.00
42	40.00	42.00
44	42.00	44.00
46	44.00	46.00
48	46.00	48.00
50	48.00	50.00
52	50.00	52.00
54	52.00	54.00
56	54.00	56.00
58	56.00	58.00
60	58.00	60.00



版次	ECN 编码	描述		设计/日期
		改前	改后	
9	EH15110274	/	增加4P包装规格	周雨博_2015/11/21
10	EL21120030	/	更换新图框 增加包装说明	

- NOTES: (Unless otherwise specified)
- Dimension shall be interpreted per ANSI Y14.5M.
 - Materials:
Insulator material: High Temperature Thermoplastic, UL 94V-0;
Contact material: Copper alloy.
 - Current Rating: 2A.
 - Voltage Rating: 30V AC/DC.
 - Working Temperature: -40°C ~ +105°C.
 - Harmful material should be compliant to doc."EI-0005" standards.
 - Product number matrix:

SPTFZ-XXW7-X-X-*

Number of contacts | Plating code

Definition	Code
◎ Tin plated	A
◎ Gold plated :	
flash B 5 μ"	D 10 μ"
15 μ"	F 20 μ"
	G 30 μ"
◎ Duplex plated:	
flash K 5 μ"	M 10 μ"
15 μ"	P 20 μ"
	Q 30 μ"
◎ Standard: B	
◎ All plating is lead free	

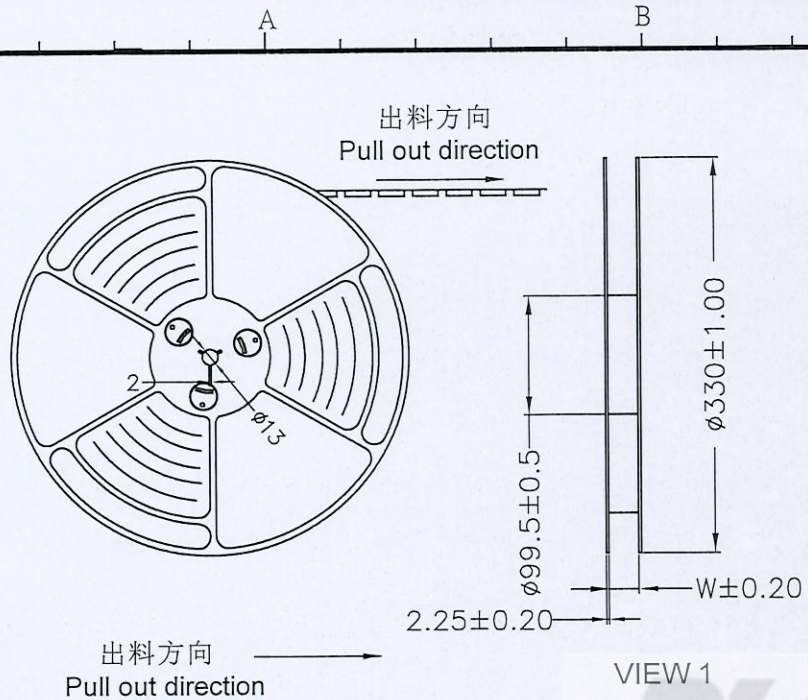
NULL:TUBE(W/O PAD)
P:PAD+TUBE
R:PAD+Reel
C:FILM+REEL
C1:FILM+REEL (FULL COVER FILM)
R1:PAD+REEL (FULL COVER PAD)

NULL:Thermoplastic
H:LCP

0:W/O Locating peg
1:With Locating peg



TOLERANCE TABLE		SCALE	DRAWN	DATE	DWG. NO.	TITLE	REV.	
X ± 0.30	X° ± 3°	2.5:1	刘恋	2021/12/07	600-0000-0007	CUSTOMER DRAWING	10	
.X ± 0.25	.X° ± 2°	UNIT	CHECK	DATE	PARTS NO.(INTENDED USE)		SHEET	1/3
.XX ± 0.20		mm	APPROVE	DATE	SPTFZ-XXW7-X-X-*_SERIES			

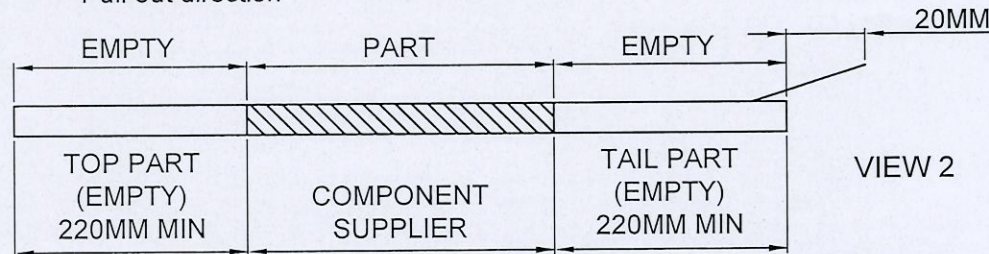


备注 (NOTES):

1. 带子引导长度
Lead tape length

转绕方向

Pull out direction



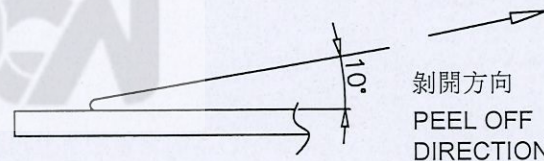
2. 上带剥拉力为: 0.2~1.3N(20gf~130gf)

Peeling off force of top tape :0.2~1.3N(20gf~130gf)

出料方向
Pull out direction

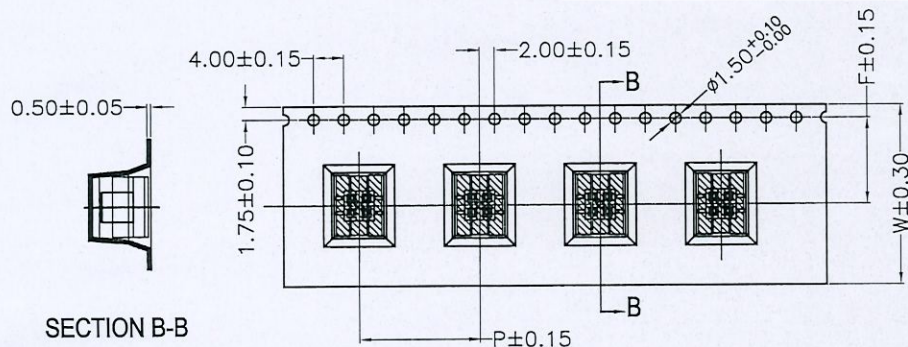
VIEW 1

PLASTREN



剥開方向
PEEL OFF
DIRECTION

VIEW 3



SECTION B-B

产品料号 (Product No.)	尺寸(DIM.)		
	P	F	W
SPTFZ-04W7-X-X*-R	16.0	11.5	24.0
SPTFZ-06W7-X-X*-R	12.0	11.5	24.0
SPTFZ-12W7-X-X*-R	12.0	11.5	24.0
SPTFZ-16W7-X-X*-R	12.0	11.5	24.0
SPTFZ-20W7-X-X*-R	12.0	20.2	44.0
SPTFZ-50W7-X-X*-R	16.0	34.2	72.0
SPTFZ-60W7-X-X*-R	12.0	37.2	72.0

PLASTREN

TOLERANCE TABLE	
X. ± 0.30	X.° ± 3°
.X ± 0.25	.X° ± 2°
.XX ± 0.20	

SCALE	1:1
UNIT	mm
SIZE	A4

DRAWN
CHECK
APPROVE

刘恋
李昌涛
刘恋

DATE 2021/12/07
DATE 2021/12/08
DATE 2021/12/08

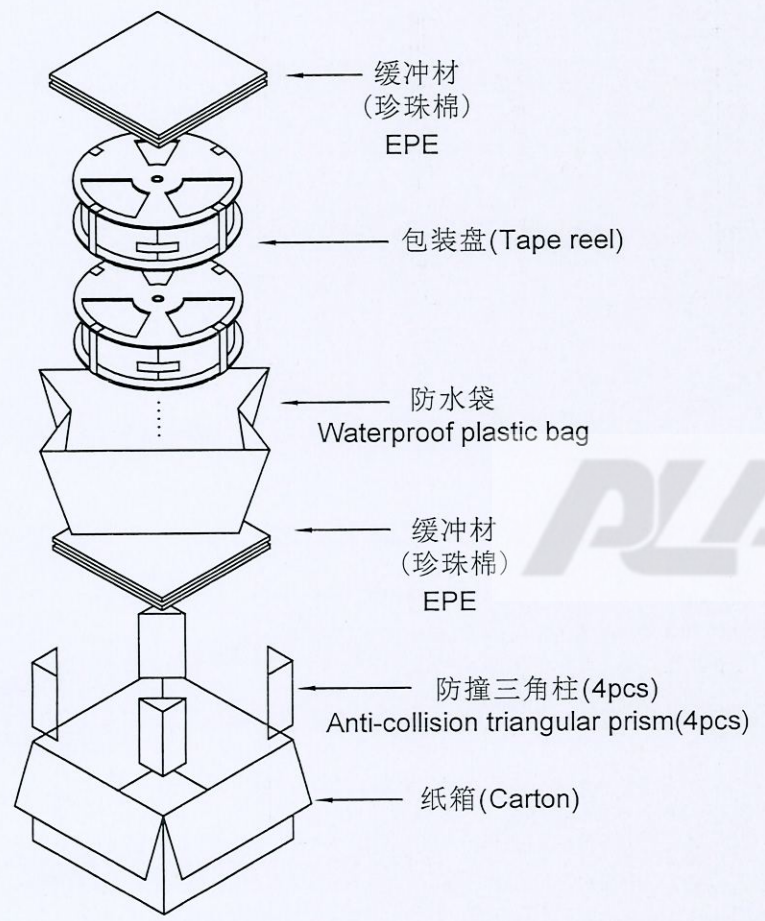
DWG. NO. 600-0000-0007
PARTS NO.(INTENDED USE) SPTFZ-XXW7-X-X*_*SERIES

TITLE CUSTOMER DRAWING

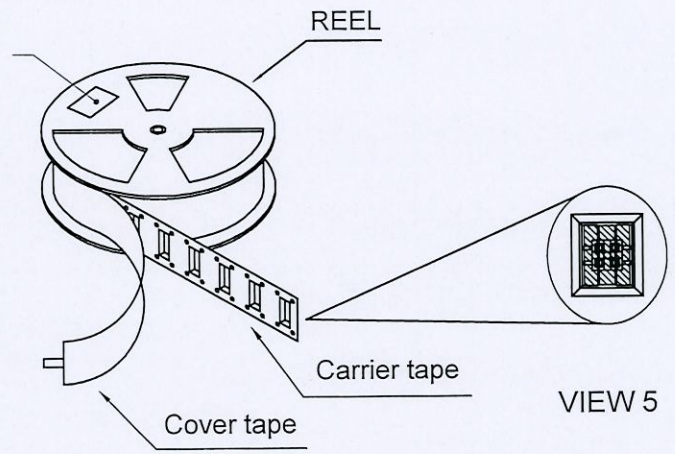
REV. 10
SHEET 2/3

A B C D E

标签黏贴处(朝卷装包材的小定位孔一侧)
Location of label sticking (label at small positioning hole of the carrier tape side)



VIEW 4



VIEW 5

备注 (NOTES):

1. 每卷包装数量及每箱装箱数量如下表格。
Packing Q'ty of each reel & carton as below table shown.
2. 上胶带覆盖下包装带用自粘包装。
Use cover tape to cover and seal up.
3. 每个纸箱放2个珍珠棉。
Every carton use 2pcs EPE.
4. 将装满产品的卷盘放入纸箱并以胶带封口。
Put reels in the carton and use adhesive tape to seal up.

产品料号 (Product No.)	包装数量(Packing Quantity)		
	PCS/REEL	REELS/CARTON	PCS/CARTON
SPTFZ-04W7-X-X-*R	500	7	3500
SPTFZ-06W7-X-X-*R	700	7	4900
SPTFZ-12W7-X-X-*R	700	7	4900
SPTFZ-16W7-X-X-*R	700	7	4900
SPTFZ-20W7-X-X-*R	700	4	2800
SPTFZ-50W7-X-X-*R	500	2	1000
SPTFZ-60W7-X-X-*R	700	2	1400

	TOLERANCE TABLE		SCALE 1:1	DRAWN 刘恋	DATE 2021/12/07	DWG. NO. 600-0000-0007	TITLE	REV. 10
	X. ± 0.30	X.° ± 3°	UNIT mm	CHECK	DATE 2021/12/08	PARTS NO.(INTENDED USE) SPTFZ-XXW7-X-X-*_SERIES	CUSTOMER DRAWING	SHEET 3/3
	.X ± 0.25	.X° ± 2°	SIZE A4	APPROVE	DATE 2021/12/08			
	.XX ± 0.20							

A B C D E