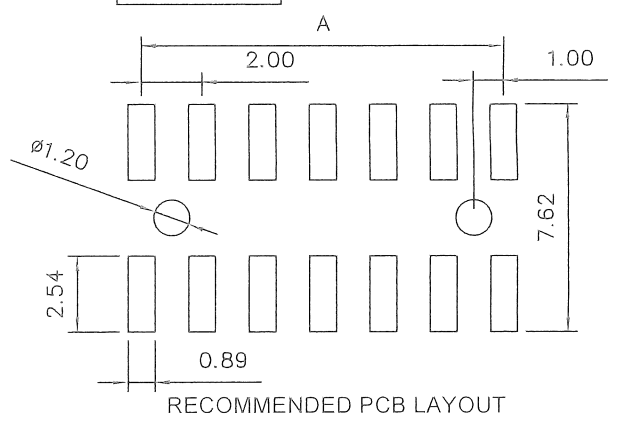
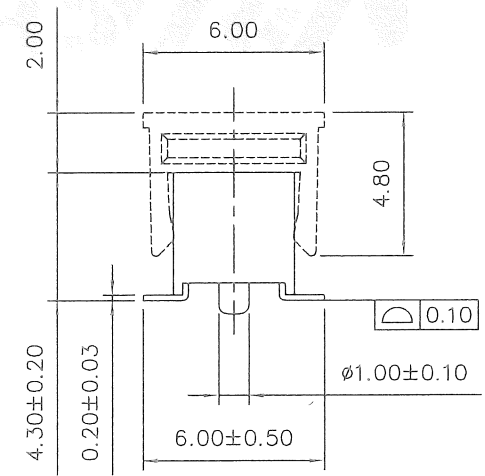
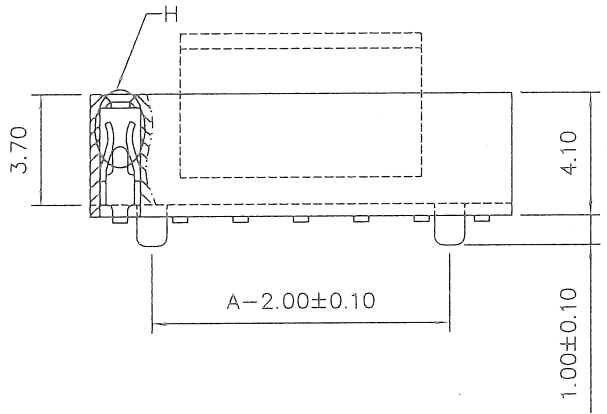


SPTFZ-60W1*	58.00	60.00
SPTFZ-58W1*	56.00	58.00
SPTFZ-56W1*	54.00	56.00
SPTFZ-54W1*	52.00	54.00
SPTFZ-52W1*	50.00	52.00
SPTFZ-50W1*	48.00	50.00
SPTFZ-48W1*	46.00	48.00
SPTFZ-46W1*	44.00	46.00
SPTFZ-44W1*	42.00	44.00
SPTFZ-42W1*	40.00	42.00
SPTFZ-40W1*	38.00	40.00
SPTFZ-38W1*	36.00	38.00
SPTFZ-36W1*	34.00	36.00
SPTFZ-34W1*	32.00	34.00
SPTFZ-32W1*	30.00	32.00
SPTFZ-30W1*	28.00	30.00
SPTFZ-28W1*	26.00	28.00
SPTFZ-26W1*	24.00	26.00
SPTFZ-24W1*	22.00	24.00
SPTFZ-22W1*	20.00	22.00
SPTFZ-20W1*	18.00	20.00
SPTFZ-18W1*	16.00	18.00
SPTFZ-16W1*	14.00	16.00
SPTFZ-14W1*	12.00	14.00
SPTFZ-12W1*	10.00	12.00
SPTFZ-10W1*	8.00	10.00
SPTFZ-08W1*	6.00	8.00
SPTFZ-06W1*	4.00	6.00
SPTFZ-04W1*	2.00	4.00
P/N	A	B



版次	ECN 编码	描述		设计/日期
		改前	改后	
13	EL21070078	额定电流为1A	额定电流为2A	李思洁_2021/07/27
14	EL23090027		增加无卤编码	江蒙_2023/09/11

- INSERTION FORCE: 200gf MAX. PER CONTACT.
- WITHDRAW FORCE: 20gf MIN. PER CONTACT.
- DURABILITY: 100 CYCLES MIN..
- CONTACT RETENTION FORCE: 350gf MIN. PER CONTACT.
- CURRENT RATING: 2 AMPERE.
- CONTACT RESISTANCE: 20 m ohms MAX. FOR INITIAL.
- DIELECTRIC WITHSTANDING VOLTAGE: 500V AC rms. PER ONE MINUTE.
- INSULATION RESISTANCE: 5000 M ohms MIN..
- HARMFUL MATERIAL SHOULD BE COMPLIANT TO DOC. "EI-0005" STANDARDS.
- PRODUCT NUMBER MATRIX:

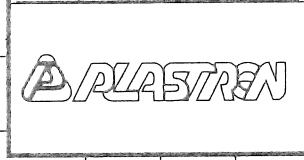
SPTFZ-XXW1-X-X-X-X

Number of Contacts: 1, 2, 3, 4, 5, 6, 7, 8, 9, 10, 12, 14, 16, 18, 20, 22, 24, 26, 28, 30, 32, 34, 36, 38, 40, 42, 44, 46, 48, 50, 52, 54, 56, 58, 60

Plating Code: A, B, C, D, E, F, G, H, I, J, K, L, M, N, O, P, Q, R, S, T, U, V, W, X, Y, Z

Definition	Code
● Tin plated	A
● Gold plated:	
flash B 15U" F	
10U" E 30U" J	
● Duplex plated:	
flash K 15U" P	
10U" N 30U" U	
● Standard: B	

NULL: TUBE(W/O PAD)
P: PAD+TUBE
R: PAD+REEL
NULL: With Halogen
H: Halogen free
0: W/O Locating Peg
1: With Locating Peg



TOLERANCE TABLE		SCALE	4:1	DRAWN	江蒙	DATE	2023/09/11	DWG. NO.	600-0000-0082	TITLE	REV.
X. ± 0.30	X.° ± 3°	UNIT	mm	CHECK	李思洁	DATE	2023/09/11	PARTS NO.(INTENDED USE) SPTFZ-XXW1-X-X-X-X	CUSTOMER DRAWING	SHEET 1/1	
.X ± 0.25	.X° ± 2°	SIZE	A4	APPROVE	30/09/11	DATE	2023/09/11				
.XX ± 0.20											