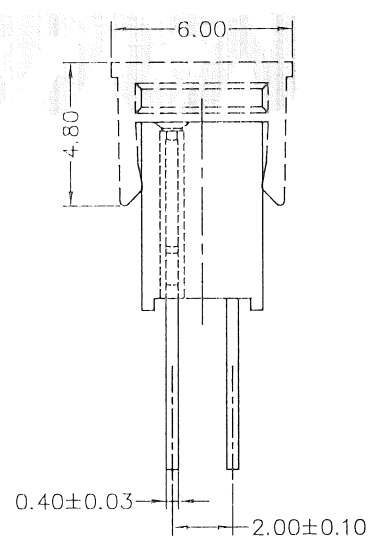
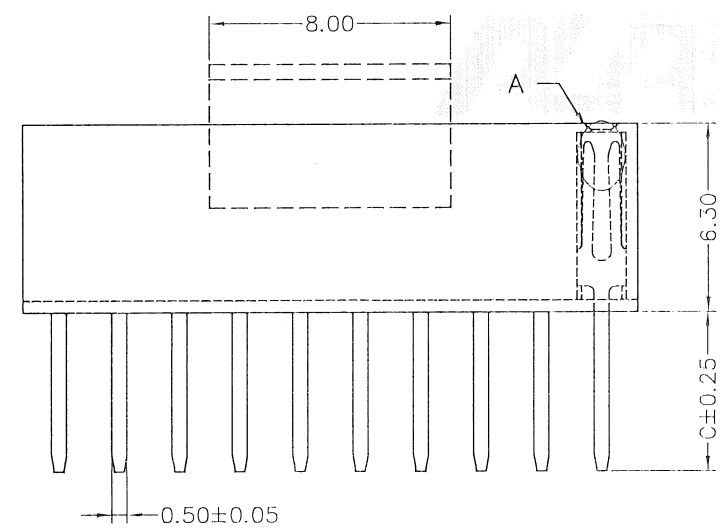
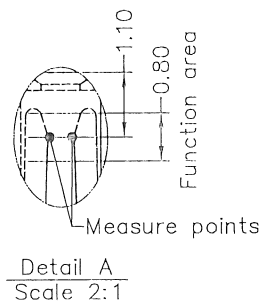
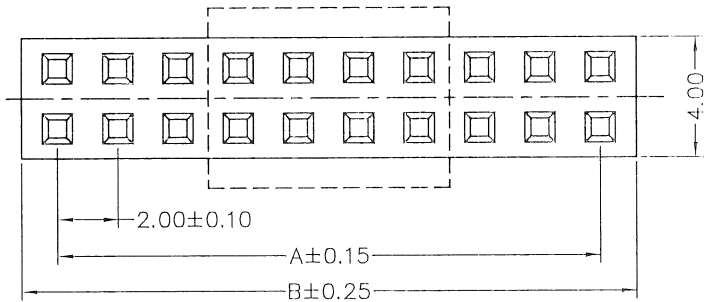


A B C D E

Post.	A	B
04	2.00	4.40
06	4.00	6.40
08	6.00	8.40
10	8.00	10.40
12	10.00	12.40
14	12.00	14.40
16	14.00	16.40
18	16.00	18.40
20	18.00	20.40
22	20.00	22.40
24	22.00	24.40
26	24.00	26.40
28	26.00	28.40
30	28.00	30.40
32	30.00	32.40
34	32.00	34.40
36	34.00	36.40
38	36.00	38.40
40	38.00	40.40
42	40.00	42.40
44	42.00	44.40
46	44.00	46.40
48	46.00	48.40
50	48.00	50.40
52	50.00	52.40
54	52.00	54.40
56	54.00	56.40
58	56.00	58.40
60	58.00	60.40
62	60.00	62.40
64	62.00	64.40
66	64.00	66.40
68	66.00	68.40
70	68.00	70.40
72	70.00	72.40
74	72.00	74.40
76	74.00	76.40
78	76.00	78.40
80	78.00	80.40

版次	ECN 编码	描述		设计/日期
6	CH09110127	改前	改后	邓美红_2009/12/08
		/	增加包装方式	
7	EL22010042	/	更换新图框	刘恋_2022/01/08



- NOTES: (Unless otherwise specified)
1. Dimension shall be interpreted per ANSI Y14.5M.
 2. Materials:
Insulator material: Thermoplastic, UL 94V-0; Color: Black.
Contact material: Copper Alloy
 3. Current Rating: 2A Per Pin.
 4. Voltage Rating: 30V AC/DC.
 5. Working Temperature: -40°C ~ +105°C.
 6. Harmful material should be compliant to doc. "EI-0005" standards.
 7. Product number matrix:

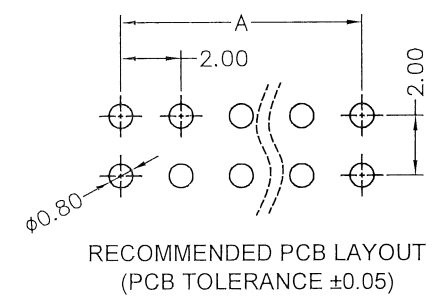
PQFZ-XXS-X-C-*

Number of Contacts: Straight

Contact Plating: 024: C=2.40, 053: C=5.30

NULL:TUBE
R:PAD+REEL

Definition	Code
◎ Tin plated	A
◎ Gold plated:	
flash B	5 u" D 10u" E
15u" F	20u" G 30u" J
◎ Duplex plated:	
flash K	5 u" M 10u" N
15u" P	20u" Q 30u" U
◎ Standard: B	
All plating is lead free	



	TOLERANCE TABLE		SCALE 4:1	DRAWN 刘恋	DATE 2022/01/08	DWG. NO. 600-0000-0167	TITLE	REV. 7
	X. ± 0.30	X.° ± 3°	UNIT mm	CHECK 李晨涛	DATE 2022/01/21	PARTS NO. (INTENDED USE) PQFZ-XXS-X-C-*	CUSTOMER DRAWING	SHEET 1/1
	.X ± 0.25	.X° ± 2°	SIZE A4	APPROVE 李晨涛	DATE 2022/01/21			
	.XX ± 0.20							

A B C D E