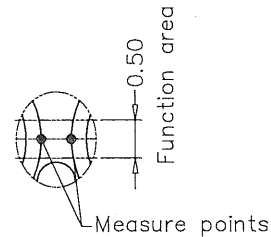
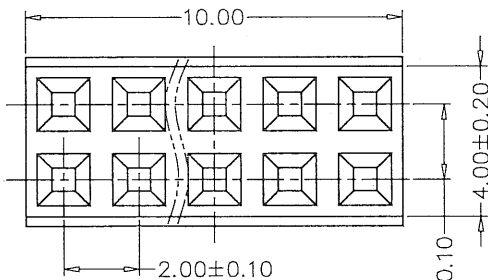


No. of Contacts	DIMENSIONS	
	A	B
04	2.00	4.00
06	4.00	6.00
08	6.00	8.00
10	8.00	10.00
12	10.00	12.00
14	12.00	14.00
16	14.00	16.00
18	16.00	18.00
20	18.00	20.00
22	20.00	22.00
24	22.00	24.00
26	24.00	26.00
28	26.00	28.00
30	28.00	30.00
32	30.00	32.00
34	32.00	34.00
36	34.00	36.00
38	36.00	38.00
40	38.00	40.00
42	40.00	42.00
44	42.00	44.00
46	44.00	46.00
48	46.00	48.00
50	48.00	50.00
52	50.00	52.00
54	52.00	54.00
56	54.00	56.00
58	56.00	58.00
60	58.00	60.00
62	60.00	62.00
64	62.00	64.00
66	64.00	66.00
68	66.00	68.00
70	68.00	70.00
72	70.00	72.00
74	72.00	74.00
76	74.00	76.00
78	76.00	78.00
80	78.00	80.00

PART No.	DIM.C
PTFZ-XXS1-X-012-X	1.20
PTFZ-XXS1-X-014-X	1.40
PTFZ-XXS1-X-022-X	2.20
PTFZ-XXS1-X-024-X	2.40

版次	ECN 编码	描述		设计/日期
8	CH12050224	改前	改后	欧阳小勇_2012/05/21
		/	增加包装方式	
9	EL21120144	/	更换新图框	刘恋_2021/12/28

- NOTES: (Unless otherwise specified)
- Dimension shall be interpreted per ANSI Y14.5M.
 - Materials:
 - Insulator material: Thermoplastic, UL 94V-0; Color: Black.
 - Contact material: Copper Alloy
 - Current Rating: 2A Per Pin.
 - Voltage Rating: 30V AC/DC.
 - Working Temperature: -40°C ~ +105°C.
 - Harmful material should be compliant to doc. "EI-0005" standards.
 - Product number matrix:



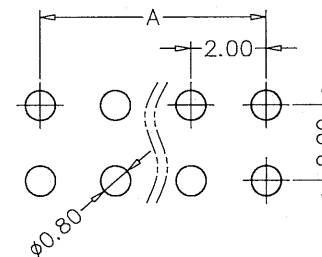
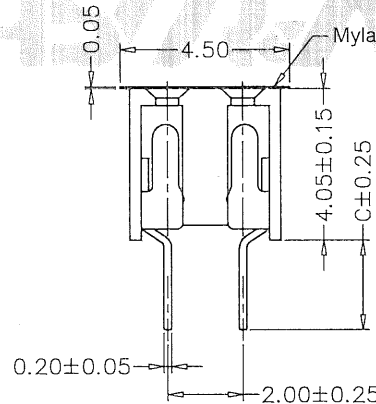
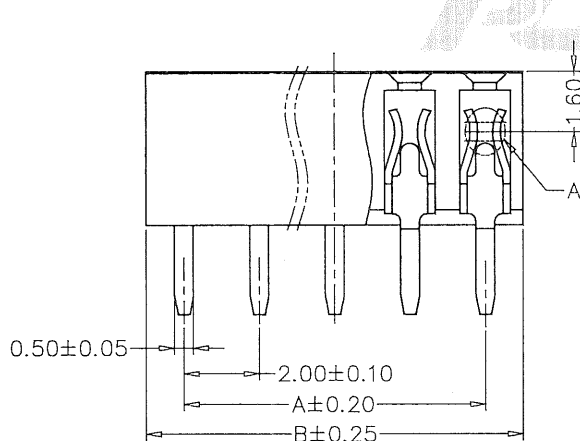
Detail A
Scale 2:1

PTFZ-XXS1-X-C-*-*
 Number of Contacts: []
 Contact Plating: []
 Pin Length: []

Legend:
 NUL: Tube
 C: Film+Reel
 NUL: High Temperature Thermoplastic
 H: Halogen Free

Definition	Code
⊙ Tin plated	A
⊙ Gold plated :	
flash B 15μ"	F
10μ" E 30μ"	J
⊙ Duplex plated :	
flash K 15μ"	P
10μ" N 30μ"	U
⊙ Standard: B	
All plating is lead free	

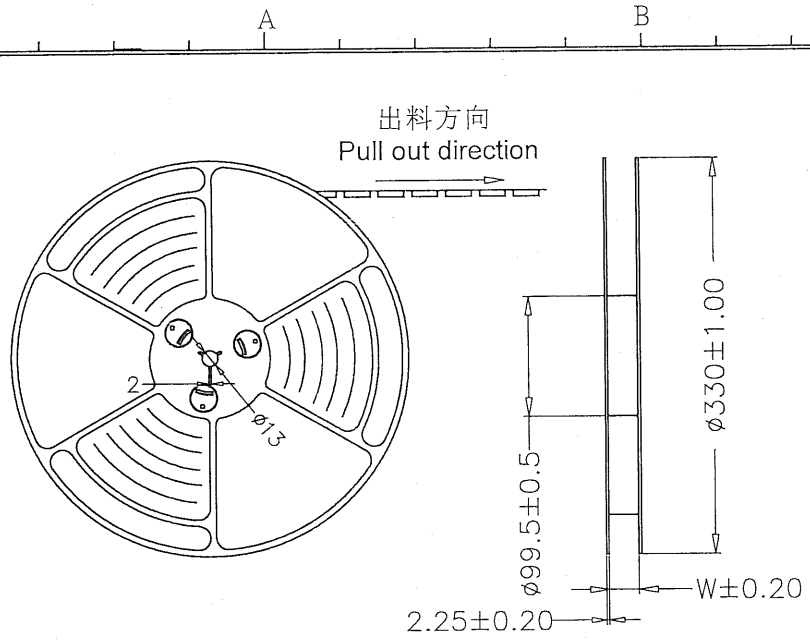
C
1.20
1.40
2.20
2.40



RECOMMENDED PCB LAYOUT
(PCB TOLERANCE ±0.05)



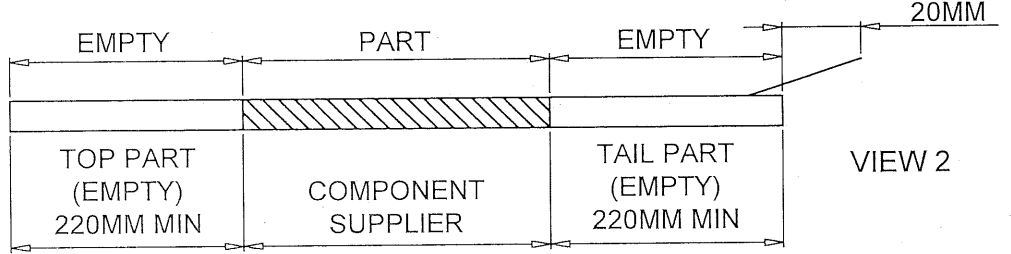
TOLERANCE TABLE		SCALE	DRAWN	DATE	DWG. NO.	TITLE	REV.	
X. ± 0.30	X.° ± 3°	5:1	刘恋	2021/12/28	600-0000-0052	CUSTOMER DRAWING	9	
.X ± 0.25	.X° ± 2°	UNIT	CHECK	DATE	PARTS NO.(INTENDED USE)		SHEET	1/3
.XX ± 0.20		mm	APPROVE	DATE				
		SIZE			PTFZ-XXS1-X-C-*-*			



VIEW 1

备注 (NOTES):

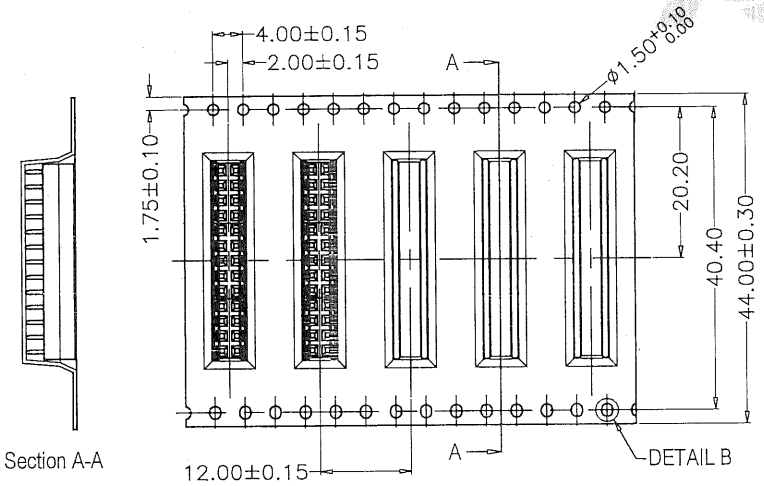
- 1. 带子引导长度
Lead tape length
- 转绕方向
Pull out direction



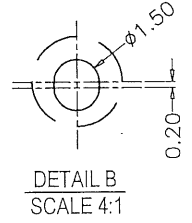
VIEW 2

- 2. 上带剥拉力为: 0.2~1.3N(20gf~130gf)
Peeling off force of top tape :0.2~1.3N(20gf~130gf)

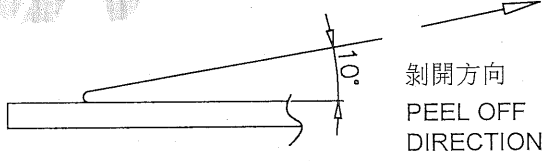
出料方向
Pull out direction



Section A-A



DETAIL B
SCALE 4:1



剥开方向
PEEL OFF
DIRECTION

VIEW 3



TOLERANCE TABLE	
X. ± 0.30	X.° ± 3°
.X ± 0.25	.X° ± 2°
.XX ± 0.20	

SCALE	5:1
UNIT	mm
SIZE	A4

DRAWN	刘恋
CHECK	李晨博
APPROVE	张印

DATE	2021/12/28
DATE	2021/12/31
DATE	2021/12/31

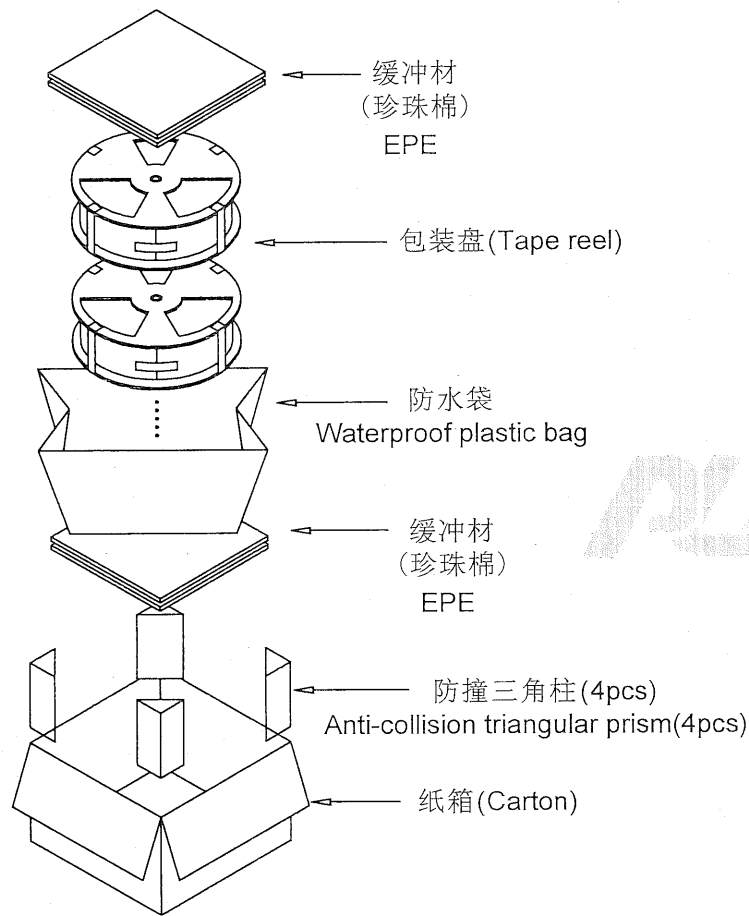
DWG. NO.	600-0000-0052
PARTS NO.(INTENDED USE)	PTFZ-XXS1-X-C-*.*

TITLE	CUSTOMER DRAWING
-------	------------------

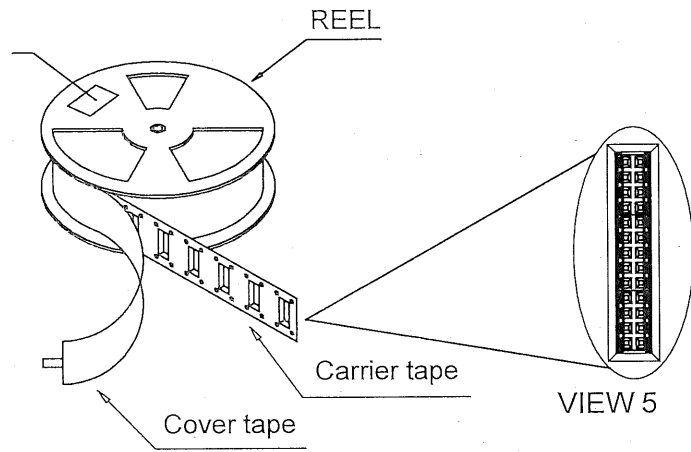
REV.	9
SHEET	2/3

A B C D E

标签黏贴处(朝卷装包材的小定位孔一侧)
Location of label sticking (label at small positioning hole of the carrier tape side)



VIEW 4



备注 (NOTES):

1. 每卷包装数量及每箱装箱数量如下表格.
Packing Q'ty of each reel & carton as below table shown.
2. 上胶带覆盖下包装带用自粘包装.
Use cover tape to cover and seal up.
3. 每个纸箱放2个珍珠棉.
Every carton use 2pcs EPE.
4. 将装满产品的卷盘放入纸箱并以胶带封口.
Put reels in the carton and use adhesive tape to seal up.



产品料号 (Product No.)	包装数量 (Packing Quantity)		
	PCS/REEL	REELS/CARTON	PCS/CARTON
PTFZ-26S1-B-024-H-C	800	4	3200

	TOLERANCE TABLE		SCALE 5:1	DRAWN 刘恋	DATE 2021/12/28	DWG. NO. 600-0000-0052	TITLE CUSTOMER DRAWING	REV. 9
	X ± 0.30	X° ± 3°	UNIT mm	CHECK 李贵海	DATE 2021/12/31			PARTS NO. (INTENDED USE)
	.X ± 0.25	.X° ± 2°	SIZE A4	APPROVE 李贵海	DATE 2021/12/31	PTFZ-XXS1-X-C-**-*		
	.XX ± 0.20							

A B C D E