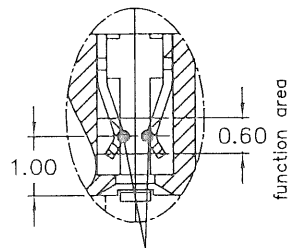
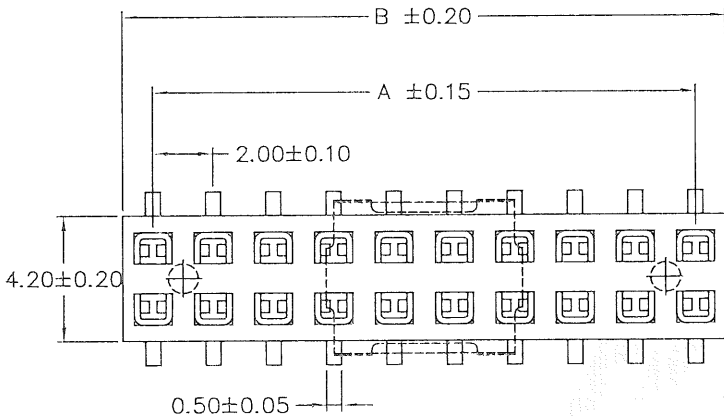
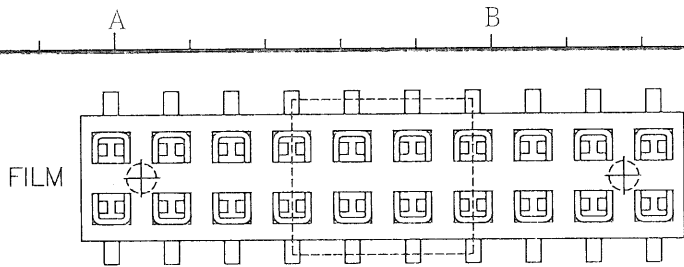
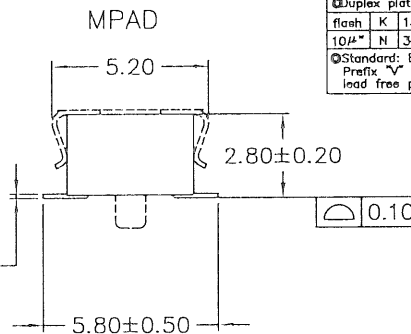
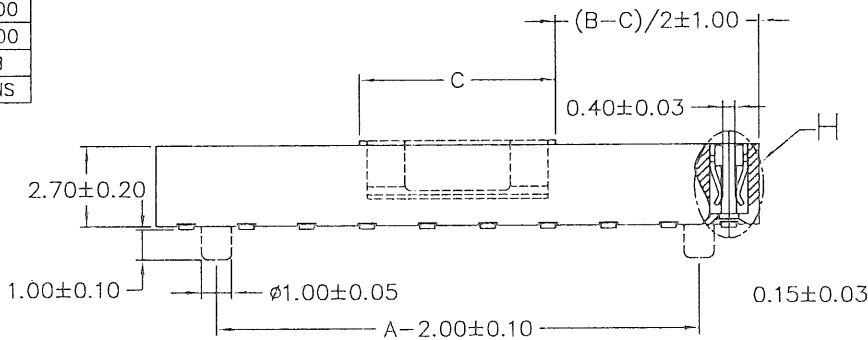


60	58.00	60.00
58	56.00	58.00
56	54.00	56.00
54	52.00	54.00
52	50.00	52.00
50	48.00	50.00
48	46.00	48.00
46	44.00	46.00
44	42.00	44.00
42	40.00	42.00
40	38.00	40.00
38	36.00	38.00
36	34.00	36.00
34	32.00	34.00
32	30.00	32.00
30	28.00	30.00
28	26.00	28.00
26	24.00	26.00
24	22.00	24.00
22	20.00	22.00
20	18.00	20.00
18	16.00	18.00
16	14.00	16.00
14	12.00	14.00
12	10.00	12.00
10	8.00	10.00
08	6.00	8.00
06	4.00	6.00
04	2.00	4.00
No. of Contacts	A	B
DIMENSIONS		



DETAIL H
SCALE 2:1



SPTFF-XX-X-X-*-*

Number of Contacts

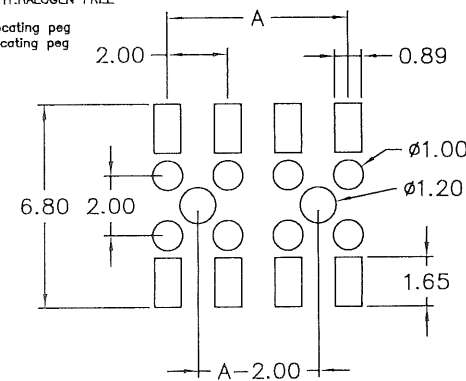
Contact Plating

Definition	Code
● Tin plated	A
● Gold plated:	
flash B	15μ* F
10μ* E	30μ* J
● Duplex plated	
flash K	15μ* P
10μ* N	30μ* U
● Standard: B	
Prefix √ means lead free plating	

C: REEL+FILM
F: TUBE+FILM
E: MPAD+TUBE
B: MPAD+REEL
K: REEL(W/O FILM,MPAD)

NULL: WITH HALOGEN
H: HALOGEN FREE

0: W/O Locating peg
1: With Locating peg



Recommended P.C.B Layout
(PCB TOLERANCE ± 0.05)

版次	ECN 编码	描述		设计/日期
		改前	改后	
6	CW10120067		新增无卤选项	LIANGBO HU
7	CW11070045		增加材料说明	YZH
8	EL21110031		修改图框	江蒙_2021/11/05

NOTES: (UNLESS OTHERWISE SPECIFIED)

- CURRENT RATING: 2 AMPERE.
- CONTACT RESISTANCE: 20 m ohms MAX. FOR INITIAL.
- DIELECTRIC WITHSTANDING VOLTAGE: 500V AC rms. PER ONE MINUTE.
- INSULATION RESISTANCE: 1000 M ohms MIN..
- HARMFUL MATERIAL SHOULD BE COMPLIANT TO DOC. "EI-0005" STANDARDS.
- Contact Material: Phosphor bronze
Housing Material: High Temperature Thermoplastic,
Flammability: UL 94V-0.
Color : Black
- PRODUCT NUMBER MATRIX:

C	FILM	6.0X5.2
	MPAD	(含)10PIN 以下使用 4.00 (不含)10PIN 以上使用 6.50

TOLERANCE TABLE	
X. ± 0.50	X.° ± 3°
.X ± 0.25	.X° ± 2°
.XX ± 0.20	

SCALE	1:1
UNIT	mm
SIZE	A4

DRAWN
CHECK
APPROVE

江蒙
李晨涛
江蒙

DATE	2021/11/05
DATE	2021/11/06
DATE	2021/11/06

DWG. NO.	600-0000-0235
PARTS NO.(INTENDED USE)	SPTFF-XX-X-X-**

TITLE	CUSTOMER DRAWING 2.00P, SMD, SOCKET
-------	--

REV.	8
SHEET	1/1

