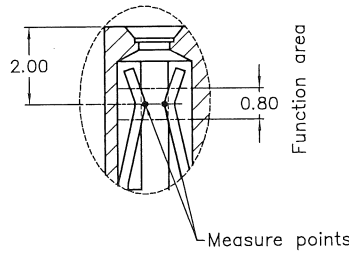
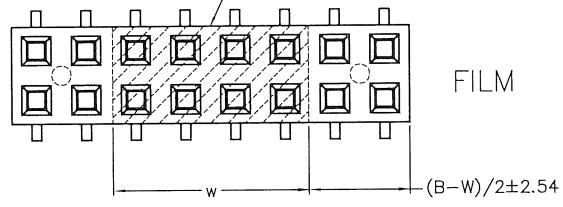


A B C D E

版次	ECN 编码	描述		设计/日期
17	EL21100049	改前	改后	江蒙_2021/10/18
			修改图框	
19	EL23070005		功能区标识	李晨涛_2023/07/03

8 PIN用: W:5.20
 14 PIN以下(不含)用: W:4.50
 14 PIN以上(含)用: W:10.00



DETAIL A
SCALE 2:1

- NOTES: (UNLESS OTHERWISE SPECIFIED)
- INSULATOR MATERIAL:LCP, UL 94V-0
 - CONTACT MATERIAL:C5191-H
 - CURRENT RATING: 3 AMPERE.
 - CONTACT RESISTANCE: 20 m ohms MAX. FOR INITIAL.
 - DURABILITY: 50 CYCLES MIN..
 - DIELECTRIC WITHSTANDING VOLTAGE: 500V AC rms. PER ONE MINUTE.
 - INSULATION RESISTANCE: 1000 M ohms MIN..
 - HARMFUL MATERIAL SHOULD BE COMPLIANT TO DOC. "EI-0005" STANDARDS.
 - DIMENSION SHALL BE INTERPRETED PER ANSI Y14.5M-1994
 - PRODUCT NUMBER MATRIX:

SPGFZ-XXS-X-X-*

Number of Contacts: Straight

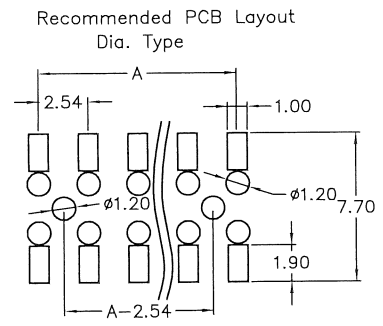
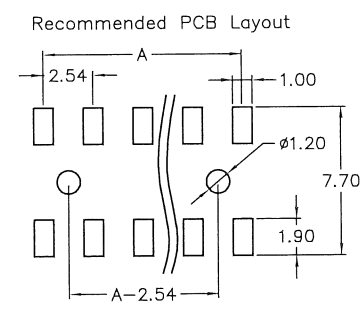
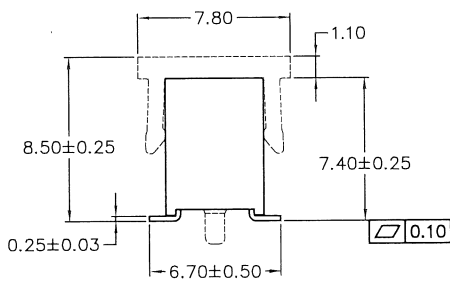
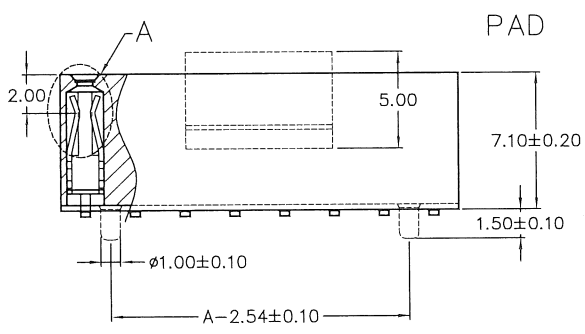
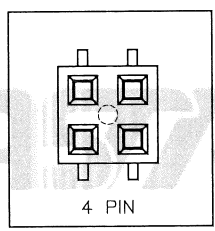
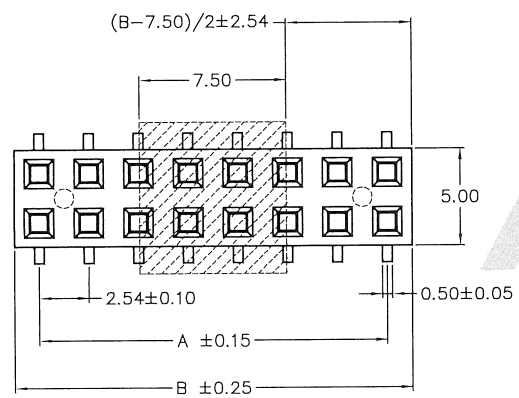
Contact Plating

NULL:(W/O PAD)TUBE
 P:PAD+TUBE
 R:PAD+REEL
 C:FILM+REEL
 F:FILM+TUBE
 K:REEL

0:W/O Locating peg
 1:With Locating peg

Definition	Code
Tin plated	A
Gold plated:	
flash B 5μ"	D 10μ"
15μ" F 20μ"	G 30μ" J
Duplex plated:	
flash K 5μ"	M 10μ"
15μ" P 20μ"	Q 30μ" U
Standard: B	
All plating is lead free	

80	99.06	101.76
78	96.52	99.22
76	93.98	96.68
74	91.44	94.14
72	88.90	91.60
70	86.36	89.06
68	83.82	86.52
66	81.28	83.98
64	78.74	81.44
62	76.20	78.90
60	73.66	76.36
58	71.12	73.82
56	68.58	71.28
54	66.04	68.74
52	63.50	66.20
50	60.96	63.66
48	58.42	61.12
46	55.88	58.58
44	53.34	56.04
42	50.80	53.50
40	48.26	50.96
38	45.72	48.42
36	43.18	45.88
34	40.64	43.34
32	38.10	40.80
30	35.56	38.26
28	33.02	35.72
26	30.48	33.18
24	27.94	30.64
22	25.40	28.10
20	22.86	25.56
18	20.32	23.02
16	17.78	20.48
14	15.24	17.94
12	12.70	15.40
10	10.16	12.86
08	7.62	10.32
06	5.08	7.78
04	2.54	5.24
No. of Contacts	A	B
DIMENSIONS		



TOLERANCE TABLE	SCALE	4:1	DRAWN	李晨涛	DATE	2023/07/03	DWG. NO.	600-0000-0236	TITLE	REV.
	X. ± 0.30	X.° ± 3°	UNIT	mm	CHECK	<i>[Signature]</i>	DATE	2023/07/03	CUSTOMER DRAWING	19
	.X ± 0.25	.X° ± 2°	SIZE	A4	APPROVE	<i>[Signature]</i>	DATE	2023/07/03		SHEET
	.XX ± 0.20							SPGFZ-XXS-X-X-*		

A B C D E