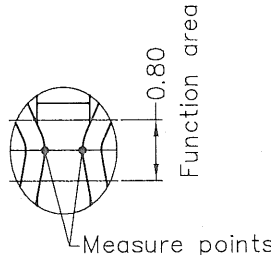
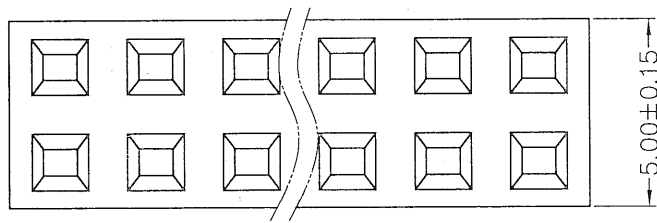


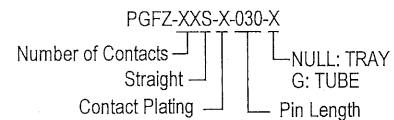
No. of contacts	A	B
04	2.54	5.24
06	5.08	7.78
08	7.62	10.32
10	10.16	12.86
12	12.70	15.40
14	15.24	17.94
16	17.78	20.48
18	20.32	23.02
20	22.86	25.56
22	25.40	28.10
24	27.94	30.64
26	30.48	33.18
28	33.02	35.72
30	35.56	38.26
32	38.10	40.80
34	40.64	43.34
36	43.18	45.88
38	45.72	48.42
40	48.26	50.96
42	50.80	53.50
44	53.34	56.04
46	55.88	58.58
48	58.42	61.12
50	60.96	63.66
52	63.50	66.20
54	66.04	68.74
56	68.58	71.28
58	71.12	73.82
60	73.66	76.36
62	76.20	78.90
64	78.74	81.44
66	81.28	83.98
68	83.82	86.52
70	86.36	89.06
72	88.90	91.60
74	91.44	94.14
76	93.98	96.68
78	96.52	99.22
80	99.06	101.76

版次	ECN 编码	描述		设计/日期
5	CH11120258	改前	改后	欧阳小勇_2011/12/29
		/	修改塑胶尺寸	
6	EL21120151	/	更换新图框	刘恋_2021/12/28

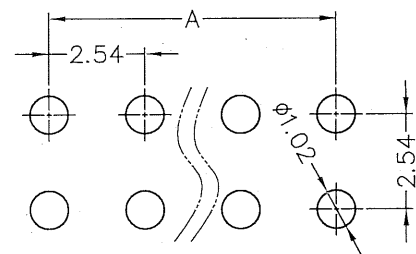
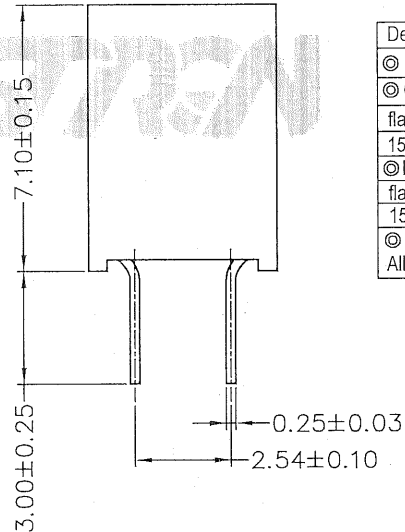
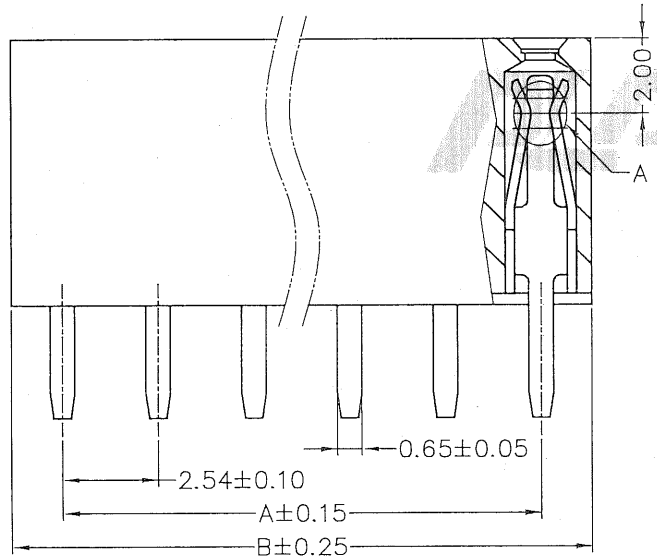


Detail A
Scale 2:1

- NOTES: (Unless otherwise specified)
1. Dimension shall be interpreted per ANSI Y14.5M.
 2. Materials:
Insulator material: Thermoplastic, UL 94V-0; Color: Black.
Contact material: Copper Alloy
 3. Current Rating: 3A Per Pin.
 4. Voltage Rating: 30V AC/DC.
 5. Working Temperature: -40°C ~ +105°C.
 6. Harmful material should be compliant to doc. "EI-0005" standards.
 7. Product number matrix:



Definition	Code
◎ Tin plated	A
◎ Gold plated:	
flash B	5 u" D 10u" E
15u" F	20u" G 30u" J
◎ Duplex plated:	
flash K	5 u" M 10u" N
15u" P	20u" Q 30u" U
◎ Standard: B	
All plating is lead free	



RECOMMENDED PCB LAYOUT
(PCB TOLERANCE ±0.05)



TOLERANCE TABLE		SCALE	DRAWN	DATE	DWG. NO.	TITLE	REV.
X ± 0.30	X° ± 3°	5:1	刘恋	2021/12/28	600-0000-0129	CUSTOMER DRAWING	6
.X ± 0.25	.X° ± 2°	UNIT	李景衡	2021/12/31			PARTS NO.(INTENDED USE)
.XX ± 0.20		mm	李景衡	2021/12/31	PGFZ-XXS-X-030-X		1/1
		SIZE A4	APPROVE				