

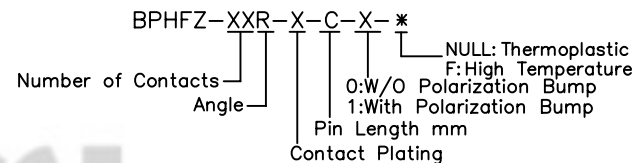
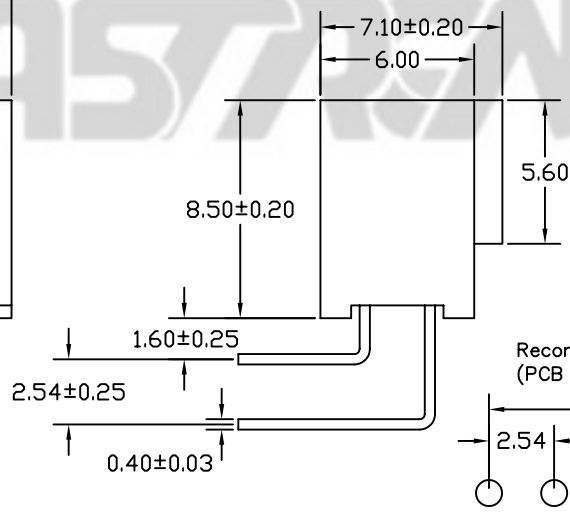
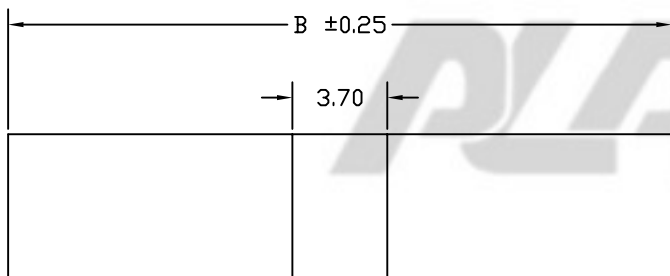
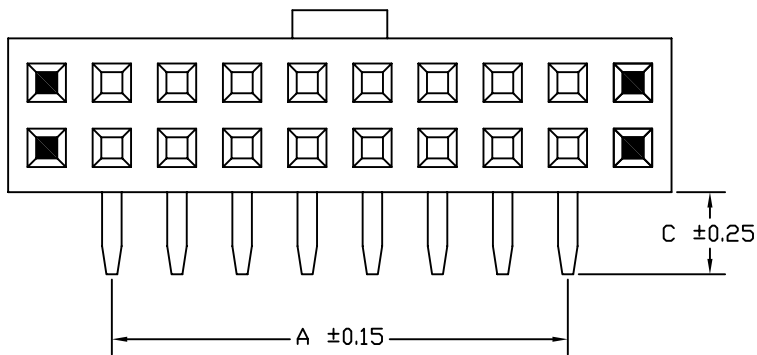
No. of Contacts	DIMENSIONS	
	A	B
6	5.08	12.62
8	7.62	15.16
10	10.16	17.70
12	12.70	20.24
14	15.24	22.78
16	17.78	25.32
18	20.32	27.86
20	22.86	30.40
22	25.40	32.94
24	27.94	35.48
26	30.48	38.02
28	33.02	40.56
30	35.56	43.10
32	38.10	45.64
34	40.64	48.18
36	43.18	50.72
38	45.72	53.26
40	48.26	55.80
42	50.80	58.34
44	53.34	60.88
46	55.88	63.42
48	58.42	65.96
50	60.96	68.50
52	63.50	71.04
54	66.04	73.58
56	68.58	76.12
58	71.12	78.66
60	73.66	81.20
62	76.20	83.74
64	78.74	86.28

料號	C
BPHFZ-XXR-X-032-X-*	3.20
BPHFZ-XXR-X-050-X-*	5.00

Rev.	ECN Number	Description	Drawn/Date
5	EW15080010	First issue	Yang.Liu 08/05'15

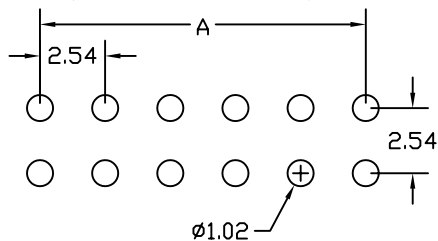
NOTES: (UNLESS OTHERWISE SPECIFIED)

1. DIMENSION SHALL BE INTERPRETED PER ANSI Y14.5M-1994.
2. CURRENT RATING: 3 AMPERE.
3. RATING VOLTAGE: 30V DC.
4. DURABILITY: 50 CYCLES MIN.
5. CONTACT RESISTANCE: 20 m Ohms MAX, INITIAL.
6. DIELECTRIC WITHSTANDING VOLTAGE: 500V AC rms./MINUTE.
7. INSULATION RESISTANCE: 1000 MegOhms MIN.
8. INSULATOR MATERIAL: THERMOPLASTIC; UL 94V-0, Black
CONTACT MATERIAL: Phosphor bronze
9. OPERATING TEMPERATURE: -40° C ~ +105° C.
11. HARMFUL MATERIAL SHOULD BE COMPLIANT TO DOC. "EI-0005" STANDARDS.
12. PRODUCT NUMBER MATRIX:



Definition	Code
◎ Tin plated:	A
◎ Gold plated:	
flash B 15μ"	F
10μ" E 30μ"	J
◎ Duplex plating:	
flash K 15μ"	P
10μ" N 30μ"	U
◎ Standard: B	
◎ Prefix "V" means lead free plating	

Recommended PCB Layout (PCB TOLERANCE ±0.05)



 PLASTRON TECHNOLOGY (SHEN ZHEN) CO., LTD.	GENERAL TOLERANCE		SCALE 1:1	ORIGINAL DRAWN Yang.Liu	DATE 08/05'15	DWG. NO. 600-0000-1490	TITLE CUSTOMER DRAWING	REV 5
	UNIT MM		CHECK Gavin.Gao	DATE 08/05'15	PARTS NO. (INTENDED USE) BPHFZ-XXR-X-C-X-*			SHEET 1/1
	SIZE A4		APPROVE Gavin.Gao	DATE 08/05'15				
	X. ± 0.30 .X ± 0.25 X.° ± 3° .XX ± 0.15 .X° ± 2°							