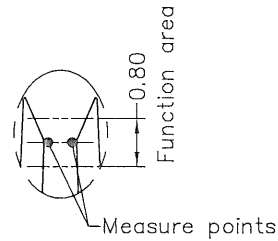
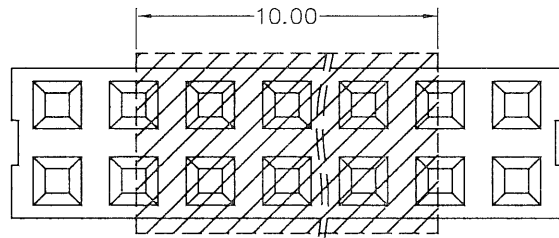
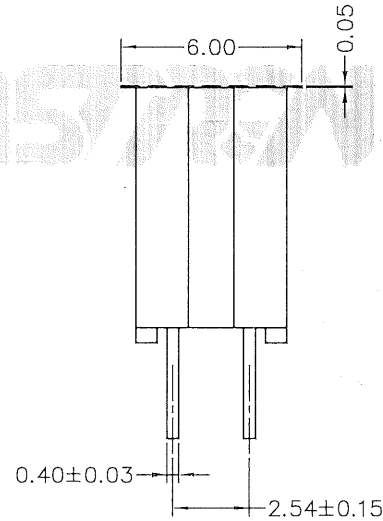
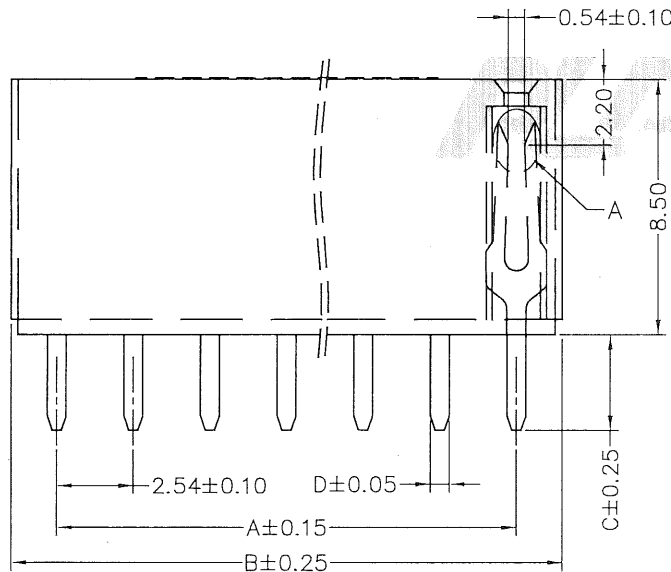


No. of Contacts	DIMENSIONS	
	A	B
4	2.54	5.58
6	5.08	8.12
8	7.62	10.66
10	10.16	13.20
12	12.70	15.74
14	15.24	18.28
16	17.78	20.82
18	20.32	23.36
20	22.86	25.90
22	25.40	28.44
24	27.94	30.98
26	30.48	33.52
28	33.02	36.06
30	35.56	38.60
32	38.10	41.14
34	40.64	43.68
36	43.18	46.22
38	45.72	48.76
40	48.26	51.30
42	50.80	53.84
44	53.34	56.38
46	55.88	58.92
48	58.42	61.46
50	60.96	64.00
52	63.50	66.54
54	66.04	69.08
56	68.58	71.62
58	71.12	74.16
60	73.66	76.70
62	76.20	79.24
64	78.74	81.78
66	81.28	84.32
68	83.82	86.86
70	86.36	89.40
72	88.90	91.94
74	91.44	94.48
76	93.98	97.02
78	96.52	99.56
80	99.06	102.10



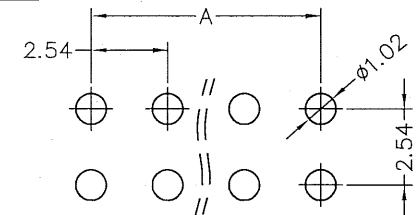
Detail A
Scale 2:1



- NOTES: (Unless otherwise specified)
- Dimension shall be interpreted per ANSI Y14.5M.
 - Materials:
Insulator material: Thermoplastic, UL 94V-0; Color: Black.
Contact material: Copper Alloy
 - Current Rating: 3A Per Pin.
 - Voltage Rating: 30V AC/DC.
 - Working Temperature: -40°C ~ +105°C.
 - Harmful material should be compliant to doc. "EI-0005" standards.
 - Product number matrix:

Definition	Code
⊙ Tin plated	A
200 u" 3H	
⊙ Gold plated:	
flash B 15u" F	
10u" E 30u" J	
5 u" D	
⊙ Duplex plated:	
flash K 15u" P	
10u" N 30u" U	
⊙ Standard: B	
All plating is lead free	

针长	C	D
026	2.60	0.64
032	3.20	0.64
047	4.70	0.76
060	6.00	0.76
110	11.00	0.76
035	3.50	0.76



RECOMMENDED PCB LAYOUT
(PCB TOLERANCE ±0.05)

版次	ECN 编码	描述		设计/日期
14	CH13080005	改前	改后	张浩_2013/08/01
		/	增加无卤&包装方式	
15	EL21120142	/	更换新图框	刘恋_2021/12/28



TOLERANCE TABLE		SCALE	DRAWN	DATE	DWG. NO.	TITLE	REV.
X. ± 0.30	X.° ± 3°	4:1	刘恋	2021/12/28	600-0000-0048	CUSTOMER DRAWING	15
.X ± 0.25	.X° ± 2°	UNIT mm	李晨涛	2021/12/31	PARTS NO.(INTENDED USE)		SHEET
.XX ± 0.20		SIZE A4	李晨涛	2021/12/31	PHFZ-XXS-X-C-***		1/1