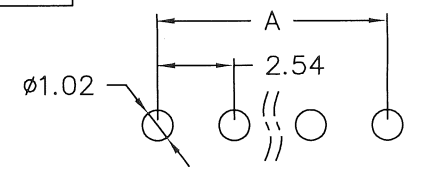
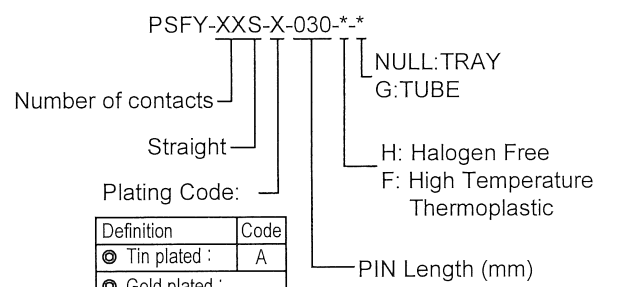
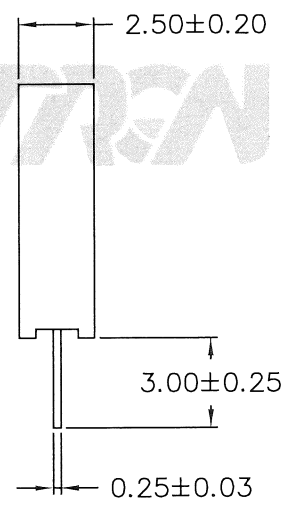
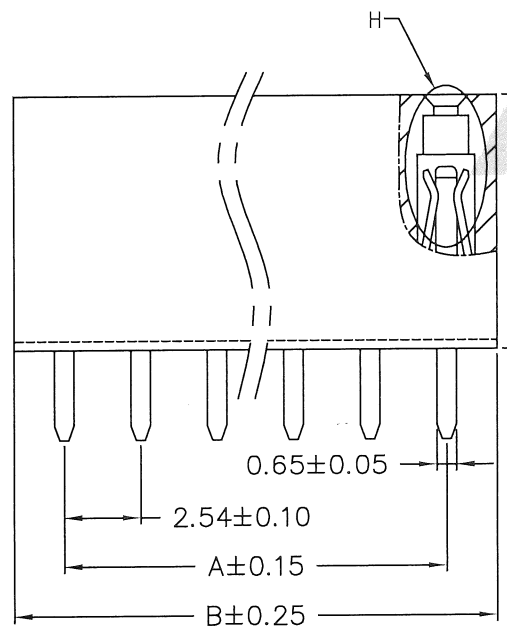
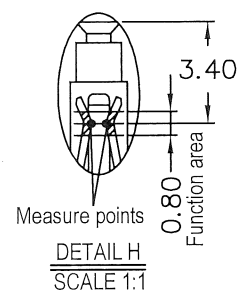
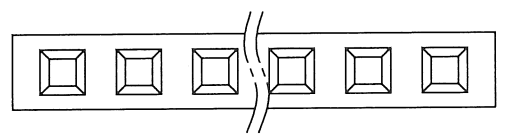


40	99.06	102.00
39	96.52	99.46
38	93.98	96.92
37	91.44	94.38
36	88.90	91.84
35	86.36	89.30
34	83.82	86.76
33	81.28	84.22
32	78.74	81.68
31	76.20	79.14
30	73.66	76.60
29	71.12	74.06
28	68.58	71.52
27	66.04	68.98
26	63.50	66.44
25	60.96	63.90
24	58.42	61.36
23	55.88	58.82
22	53.34	56.28
21	50.80	53.74
20	48.26	51.20
19	45.72	48.66
18	43.18	46.12
17	40.64	43.58
16	38.10	41.04
15	35.56	38.50
14	33.02	35.96
13	30.48	33.42
12	27.94	30.88
11	25.40	28.34
10	22.86	25.80
09	20.32	23.26
08	17.78	20.72
07	15.24	18.18
06	12.70	15.64
05	10.16	13.10
04	7.62	10.56
03	5.08	8.02
02	2.54	5.48
Contacts	A	B
No. of	DIMENSIONS	



版次	ECN 编码	描述		设计/日期
6	EW07010115	改前	改后	江坤荣_2008/03/01
7	EL21110062		增加无卤编码	江蒙_2021/11/15
8	EL23030073		更换新图框	江蒙_2023/03/22

- NOTES: (Unless otherwise specified)
1. Dimension shall be interpreted per ANSI Y14.5M.
 2. Materials:
Insulator material: Thermoplastic, UL 94V-0; Color: Black.
Contact material: Phosphor Copper.
 3. Current Rating: 3A.
 4. Voltage Rating: 30V AC/DC.
 5. Working Temperature: -40°C ~ +105°C.
 6. Harmful material should be compliant to doc. "EI-0005" standards.
 7. Product number matrix:



TOLERANCE TABLE		SCALE 4:1	DRAWN 江蒙	DATE 2023/03/22	DWG. NO. 600-0000-0245	TITLE	REV. 8
X. ± 0.30	X.° ± 3°	UNIT mm	CHECK 李昌涛	DATE 2023/03/22	PARTS NO.(INTENDED USE) PSFY-XXS-X-030-*.H	CUSTOMER DRAWING	SHEET 1/1
.X ± 0.25	.X° ± 2°	SIZE A4	APPROVE 李昌涛	DATE 2023/03/22			
.XX ± 0.20							