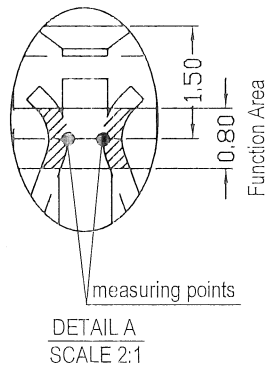
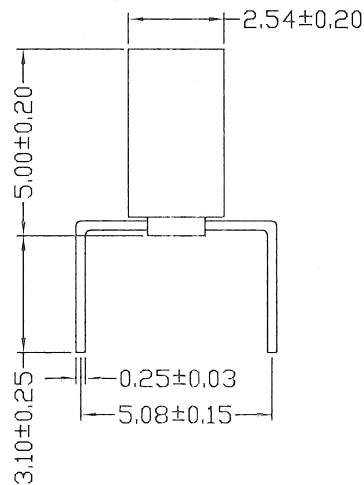
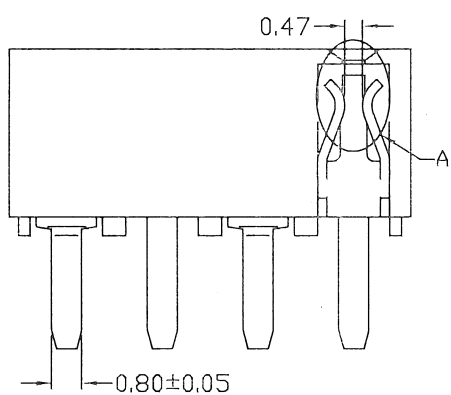
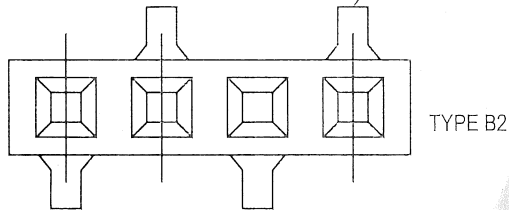
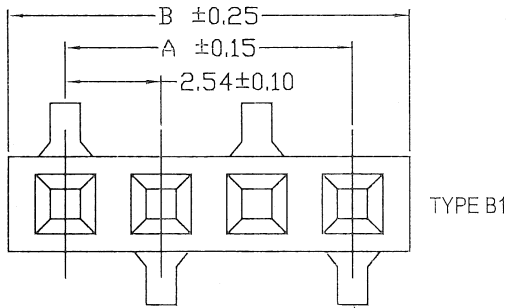


No. of Contacts	DIMENSIONS	
	A	B
2	2.54	5.58
3	5.08	8.12
4	7.62	10.66
5	10.16	13.30
6	12.70	15.74
7	15.24	18.28
8	17.78	20.82
9	20.32	23.36
10	22.86	25.90
11	25.40	28.44
12	27.94	30.98
13	30.48	33.52
14	33.02	36.06
15	35.56	38.60
16	38.10	41.14
17	40.64	43.68
18	43.18	46.22
19	45.72	48.76
20	48.26	51.30
21	50.80	53.84
22	53.34	56.38
23	55.88	58.92
24	58.42	61.46
25	60.96	64.00
26	63.50	66.54
27	66.04	69.08
28	68.58	71.62
29	71.12	74.16
30	73.66	76.70
31	76.20	79.24
32	78.74	81.78
33	81.28	84.32
34	83.82	86.86
35	86.36	89.40
36	88.90	91.94
37	91.44	94.48
38	93.98	97.02
39	96.52	99.56
40	99.06	102.1

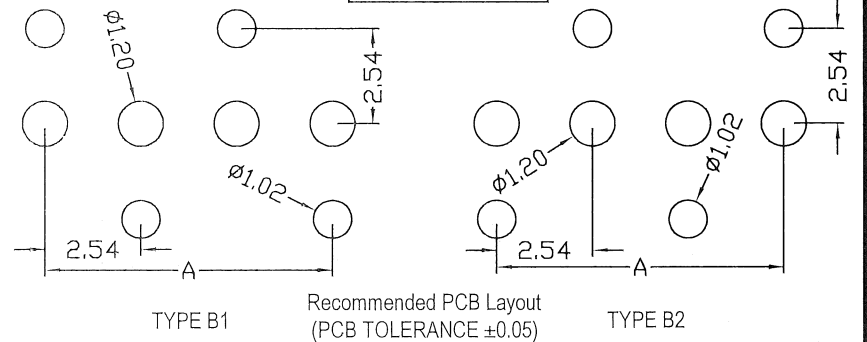


版次	ECN 编码	描述		设计/日期
8	CW10901005	改前	改后	King Yan_2011/09/24
		/	变更材质说明	
9	EL22010028	/	更换新图框	Lisa Lin_2022/01/07

- NOTES: (Unless otherwise specified)
- Dimension shall be interpreted per ANSI Y14.5M.
  - Materials:  
Insulator material: High Temperature Thermoplastic, UL 94V-0; Color: Black.  
Contact material: Copper Alloy
  - Current Rating: 3 A Per Pin.
  - Voltage Rating: 30V AC/DC.
  - Working Temperature: -40°C ~ +105°C.
  - Harmful material should be compliant to doc. "EI-0005" standards.
  - Product number matrix:

PBFY-XXBX-X-030-X  
 Number of Contacts  
 B1:TYPE B1  
 B2:TYPE B2  
 Contact Plating  
 Pin Length mm

Definition	Code
◎ Tin plated	A
◎ Gold plated:	
flash B 15u"	F
10u"	J
◎ Duplex plated:	
flash K 15u"	P
10u"	U
◎ Standard: B	
All plating is lead free	



TOLERANCE TABLE		SCALE	DRAWN	DATE	DWG. NO.	TITLE	REV.
X. ± 0.30	X.° ± 3°	5:1	Lisa Lin	2022/01/07	600-0000-0445	CUSTOMER DRAWING	9
.X ± 0.25	.X° ± 2°	UNIT	李景涛	2022/01/13	PARTS NO.(INTENDED USE)		SHEET
.XX ± 0.20		mm	李景涛	2022/01/13	PBFY-XXBX-X-030-X		
		SIZE	APPROVE				1/1