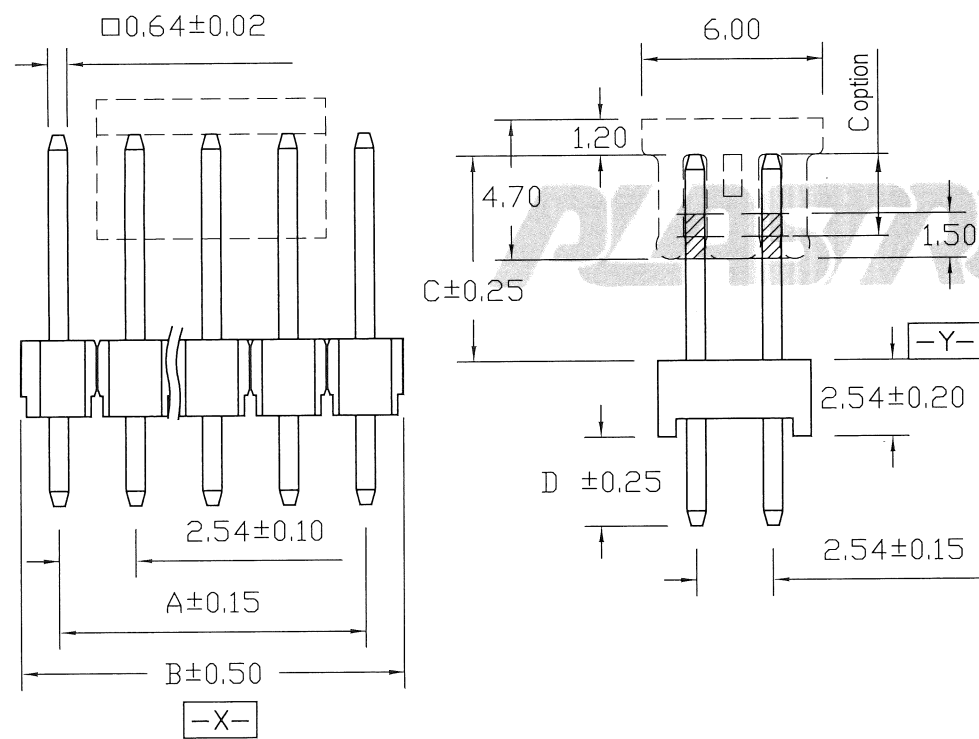
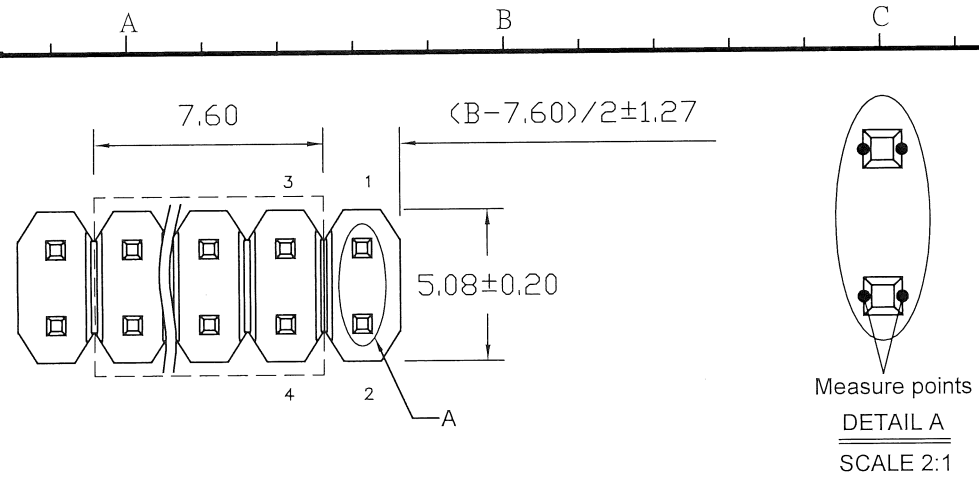


No. of Contacts	DIMENSIONS	
	A	B
4	2.54	5.08
6	5.08	7.62
8	7.62	10.16
10	10.16	12.70
12	12.70	15.24
14	15.24	17.78
16	17.78	20.32
18	20.32	22.86
20	22.86	25.40
22	25.40	27.94
24	27.94	30.48
26	30.48	33.02
28	33.02	35.56
30	35.56	38.10
32	38.10	40.64
34	40.64	43.18
36	43.18	45.72
38	45.72	48.26
40	48.26	50.80
42	50.80	53.34
44	53.34	55.88
46	55.88	58.42
48	58.42	60.96
50	60.96	63.50
52	63.50	66.04
54	66.04	68.58
56	68.58	71.12
58	71.12	73.66
60	73.66	76.20
62	76.20	78.74
64	78.74	81.28
66	81.28	83.82
68	83.82	86.36
70	86.36	88.90
72	88.90	91.44
74	91.44	93.98
76	93.98	96.52
78	96.52	99.06
80	99.06	101.60



Pin Type	
Brass	L
Bandolier(Brass)	B
Phosphor Bronze	P
Standard:	L

Definition	Code
⊙ Tin plated	A
⊙ Gold plated	
flash B	5 U" D 10 U" E
15 U" F	20 U" G 30 U" J
⊙ Duplex plated	
flash K	5 U" M 10 U" N
15 U" P	20 U" Q 30 U" U
⊙ Standard: B	
Prefix "V" means lead free plating	

NOTES: (Unless otherwise specified)

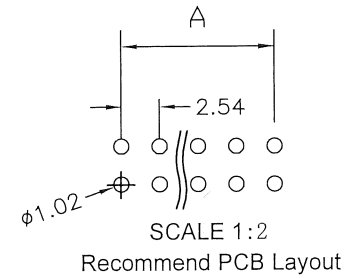
- Dimension shall be interpreted per ANSI Y14.5M.
- Materials:
Insulator material: High Temperature Thermoplastic, UL 94V-0; Color: Black.
Contact material: Copper Alloy.
- Current Rating: 3 A.
- Voltage Rating: 30V AC/DC.
- Working Temperature: -40°C ~ +105°C.
- Harmful material should be compliant to doc. "EI-0005" standards.
- Product number matrix:
XHZ-XXS-X-C/D-*-*-*

PACKED OPTION
NULL: PE BAG
G:TUBE
P:PAD+TUBE
R:PAD+REEL

HALOGEN OPTION
H: HALOGEN FREE
N: WITH HALOGEN

NULL:THERMOPLASTIC
F: HIGH TEMPERATURE THERMOPLASTIC

PIN LENGTH
EX.: 060/030
C=6.00, D=3.00



版次	ECN 编码	描述		设计/日期
75	EL21100042	改前	改后	江蒙_2021/10/16
			增加无齿编码	
76	EL23050094		更换新图框	潘健_2023/05/30



TOLERANCE TABLE	
X. ± 0.30	X.° ± 3°
.X ± 0.25	.X° ± 2°
.XX ± 0.20	

SCALE	4:1
UNIT	mm
SIZE	A4

DRAWN	潘健	DATE	2023/05/30
CHECK	李星涛	DATE	2023/05/30
APPROVE	潘健	DATE	2023/05/30

DWG. NO.	600-0000-206
PARTS NO.(INTENDED USE)	XHZ-XXS-X-C/D-***

TITLE	CUSTOMER DRAWING
-------	------------------

REV.	76
SHEET	1