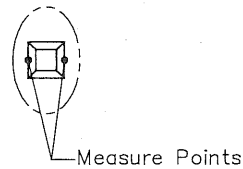
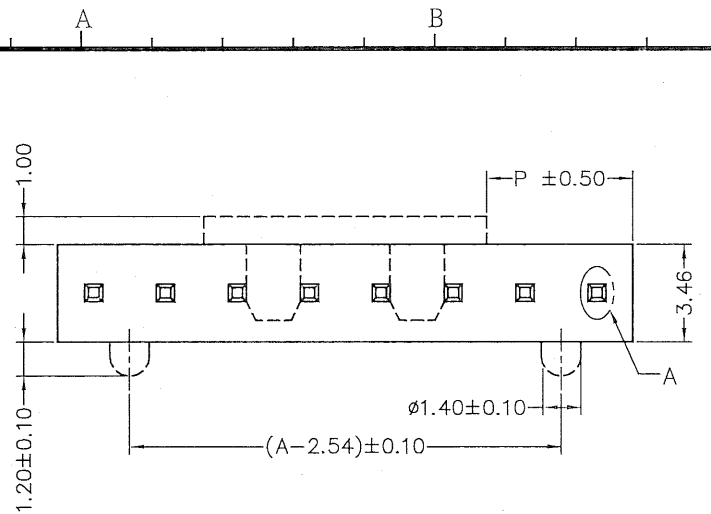
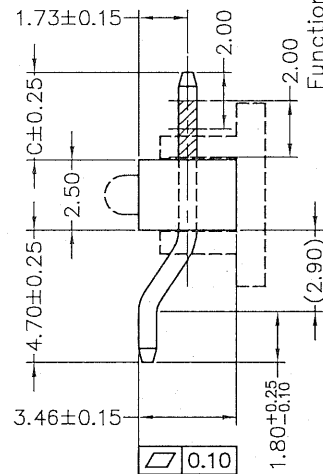
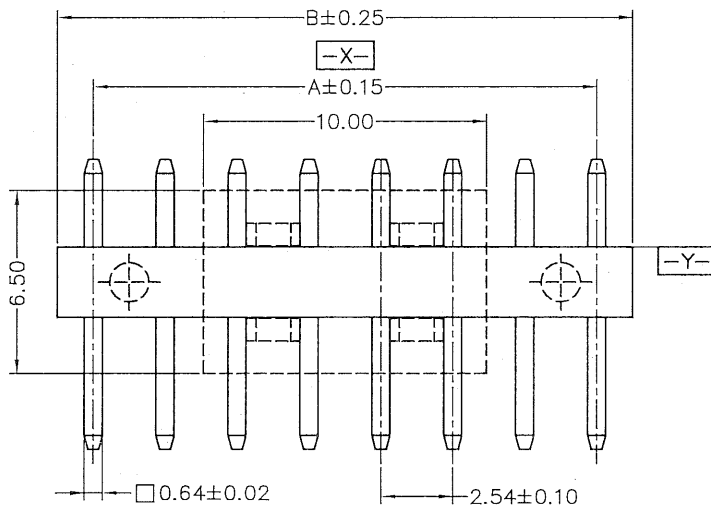


No. of Contacts	DIMENSIONS	
	A	B
2	2.54	5.08
3	5.08	7.62
4	7.62	10.16
5	10.16	12.70
6	12.70	15.24
7	15.24	17.78
8	17.78	20.32
9	20.32	22.86
10	22.86	25.40
11	25.40	27.94
12	27.94	30.48
13	30.48	33.02
14	33.02	35.56
15	35.56	38.10
16	38.10	40.64
17	40.64	43.18
18	43.18	45.72
19	45.72	48.26
20	48.26	50.80
21	50.80	53.34
22	53.34	55.88
23	55.88	58.42
24	58.42	60.96
25	60.96	63.50
26	63.50	66.04
27	66.04	68.58
28	68.58	71.12
29	71.12	73.66
30	73.66	76.20
31	76.20	78.74
32	78.74	81.28
33	81.28	83.82
34	83.82	86.36
35	86.36	88.90
36	88.90	91.44
37	91.44	93.98
38	93.98	96.52
39	96.52	99.06
40	99.06	101.60



Detail A  
Scale 2:1



- NOTES: (Unless otherwise specified)
- Dimension shall be interpreted per ANSI Y14.5M.
  - Materials:  
Insulator material: Thermoplastic, UL 94V-0; Color: Black.  
Contact material: Copper Alloy
  - Current Rating: 3 A Per Pin.
  - Voltage Rating: 30V AC/DC.
  - Working Temperature: -40°C ~ +105°C.
  - Harmful material should be compliant to doc. "EI-0005" standards.
  - Product number matrix:

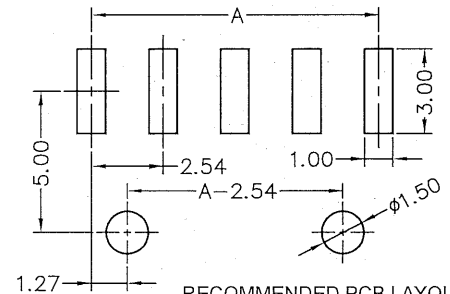
Definition	Code
⊙ Tin 80u"~150u"	A
⊙ Gold plated :	
flash B 15u" F	
10u" E 30u" J	
⊙ Duplex plated :	
flash K 15u" P	
10u" N 30u" U	
⊙ Standard: B	
All plating is lead free	

No. of Contacts	Right Angle	Contact Plating	Code
0	0	0	0: W/O Locating peg
1	1	1	1: With Locating peg
2	2	2	2: For SNBHY-XXR-X-C-X-**-R (W/O Locating peg)

Code	Description
NULL	TUBE (W/O PAD)
P	PAD+TUBE
R	PAD+REEL
K	REEL (W/O PAD)
G	TUBE
Null	High temperature Thermoplastic
H	Halogen free
E	LCP



TOLERANCE TABLE	
X ± 0.30	X° ± 3°
.X ± 0.25	.X° ± 2°
.XX ± 0.20	

SCALE	4:1
UNIT	mm
SIZE	A4

DRAWN	刘恋
CHECK	李景涛
APPROVE	刘恋

DATE	2021/12/25
DATE	2021/12/27
DATE	2021/12/27

DWG. NO.	600-0000-0327
PARTS NO. (INTENDED USE)	SNBHY-XXR-X-C-X-**-*

TITLE	CUSTOMER DRAWING
-------	------------------

REV.	12
SHEET	1/2

A

B

C

D

E

PARTS NO.	C	REMARK (備註)
SNBHY-XXR-X-020-X-**-*	2.00	
SNBHY-XXR-X-026-X-**-*	2.60	
SNBHY-XXR-X-030-X-**-*	3.00	
SNBHY-XXR-X-031-X-**-*	3.10	
SNBHY-XXR-X-032-X-**-*	3.20	
SNBHY-XXR-X-036-X-**-*	3.60	
SNBHY-XXR-X-040-X-**-*	4.00	
SNBHY-XXR-X-043-X-**-*	4.30	
SNBHY-XXR-X-045-X-**-*	4.50	
SNBHY-XXR-X-050-X-**-*	5.00	
SNBHY-XXR-X-060-X-**-*	6.00	
SNBHY-XXR-X-070-X-**-*	7.00	
SNBHY-XXR-X-072-X-**-*	7.20	
SNBHY-XXR-X-080-X-**-*	8.00	
SNBHY-XXR-X-084-X-**-*	8.40	
SNBHY-XXR-X-100-X-**-*	10.00	
SNBHY-XXR-X-107-X-**-*	10.70	
SNBHY-XXR-X-118-X-**-*	11.80	

1


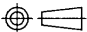
1

2

2

3

3

	TOLERANCE TABLE		SCALE 4:1	DRAWN 刘恋	DATE 2021/12/25	DWG. NO. 600-0000-0327	TITLE	REV. 12
	X. ± 0.30	X.° ± 3°	UNIT mm	CHECK 李昌涛	DATE 2021/12/21	PARTS NO. (INTENDED USE) SNBHY-XXR-X-C-X-**-*	CUSTOMER DRAWING	SHEET 2/2
	.X ± 0.25	.X° ± 2°	SIZE A4 	APPROVE 刘恋	DATE 2021/12/21			

A

B

C

D

E