

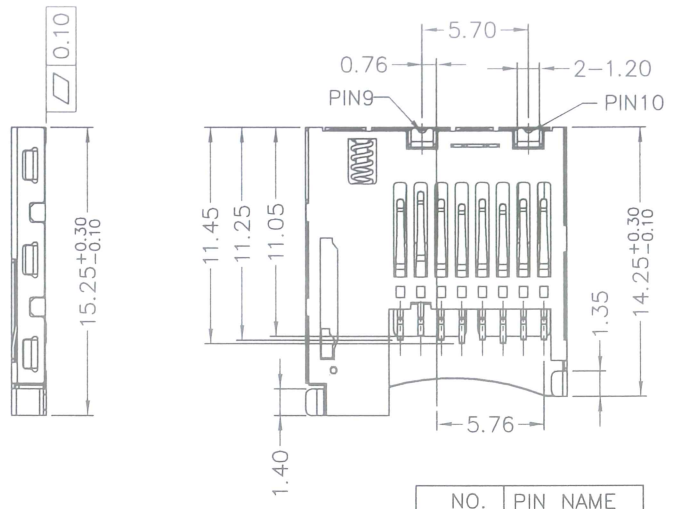
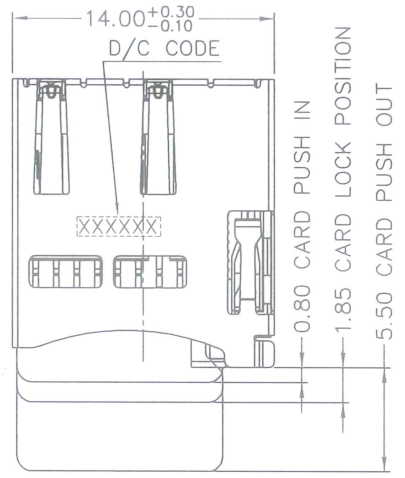
A B C D E

版次	ECN 编码	描述	设计/日期
1	EH18120125	初版发行	朱清平_2019/05/25
2	EH19080152	改前	朱清平_2019/08/17
		改后 取消LOGO	
3	EH19110190	增加尺寸标注	朱清平_2019/11/15
		包装数量1100 包装数量1000	

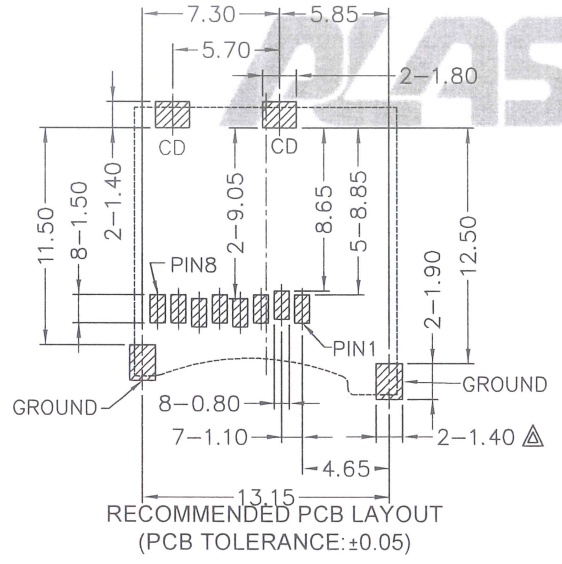
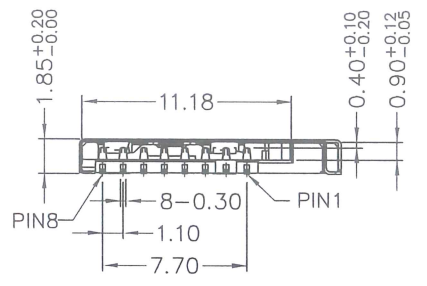
- NOTES: (Unless otherwise specified)
- Dimension shall be interpreted per ANSI Y14.5M.
 - Materials:
Insulator material: High Temperature Thermoplastic, UL 94V-0; Color: Black.
Contact material: Phosphor Bronze.
Shell: Stainless Steel.
CD Pin: Brass.
 - Current Rating: 1 A Per Pin.
 - Voltage Rating: 30V AC/DC.
 - Contact resistance: 50 mΩ MAX.
 - Withstanding Voltage : AC 500V .
 - Insulation resistance: 1000 MΩ MIN.
 - Working Temperature: -40°C ~ +85°C.
 - Durability: 10000 cycles.
 - Harmful material should be compliant to doc. "EI-0005" standards.
 - Product number matrix:

H A B A B 001 K K 00
 Micro sd Card
 Reel

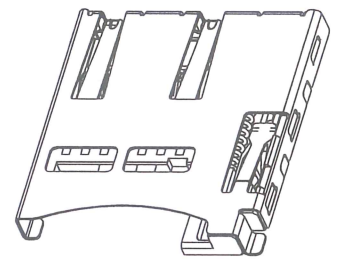
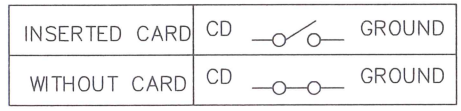
Plating Code:
 Contact Area :Au Gold Flash,
 Solder Area: Matte Tin 80u" min.
 Under Plate Ni 50u" min all over .



NO.	PIN NAME
PIN1	DAT2
PIN2	CD/DAT3
PIN3	CMD
PIN4	VDD
PIN5	CLK
PIN6	VSS
PIN7	DAT0
PIN8	DAT1
PIN9	CARD DETECT
PIN10	

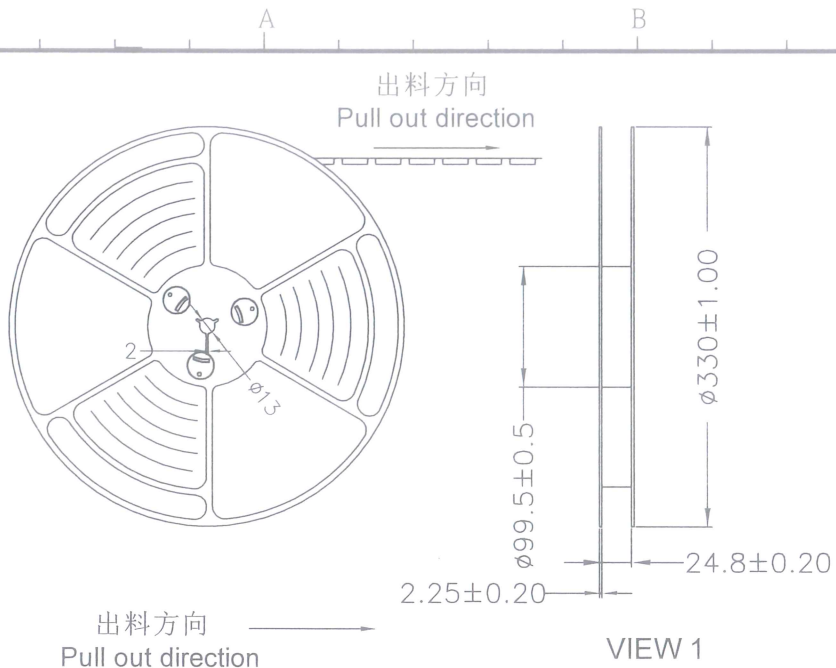


CIRCUIT OF SWITCHES



TOLERANCE TABLE		SCALE	2.5:1	DRAWN	朱清平	DATE	2019/11/15	DWG. NO.	600-0000-1887	TITLE	REV.
X. ± 0.30	X.° ± 3°	UNIT	mm	CHECK		DATE	2019/11/15	PARTS NO.(INTENDED USE)	HABAB001KK00	CUSTOMER DRAWING	3
.X ± 0.25	.X° ± 2°	SIZE	A4	APPROVE		DATE	2019/11/15				SHEET

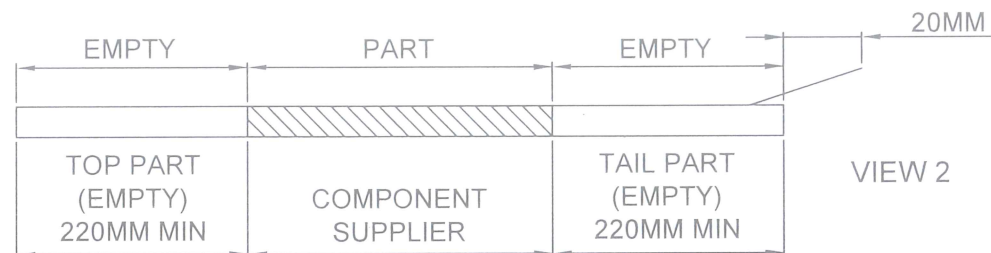
A B C D E



备注 (NOTES):

1. 带子引导长度
Lead tape length

转绕方向
Pull out direction



出料方向
Pull out direction

VIEW 1

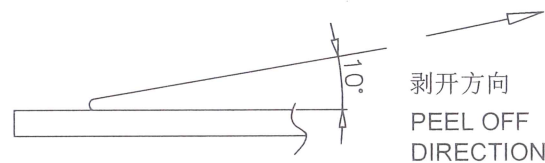
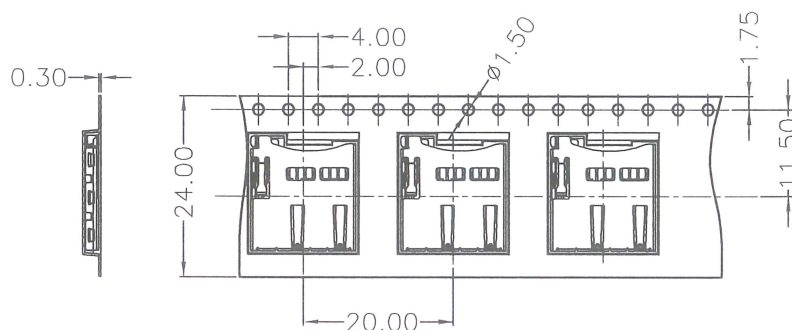
2. 上带剥拉力为: 0.2~1.3N(20gf~130gf)

Peeling off force of top tape :0.2~1.3N(20gf~130gf)

出货运输过程中一定注意: 卷带在运输过程中不能散开

This requirement should be applied at shipment:

The reel tape can not be separated during transportation.



VIEW 3



TOLERANCE TABLE

X. ± 0.30	X.° ± 3°
.X ± 0.25	.X° ± 2°
.XX ± 0.20	

SCALE 1:1

UNIT mm

SIZE A4

DRAWN

朱清平

CHECK

朱清平

APPROVE

朱清平

DATE

2019/11/15

DATE

2019/11/15

DATE

2019/11/15

DWG. NO.

600-0000-1887

PARTS NO.(INTENDED USE)

HABAB001KK00

TITLE

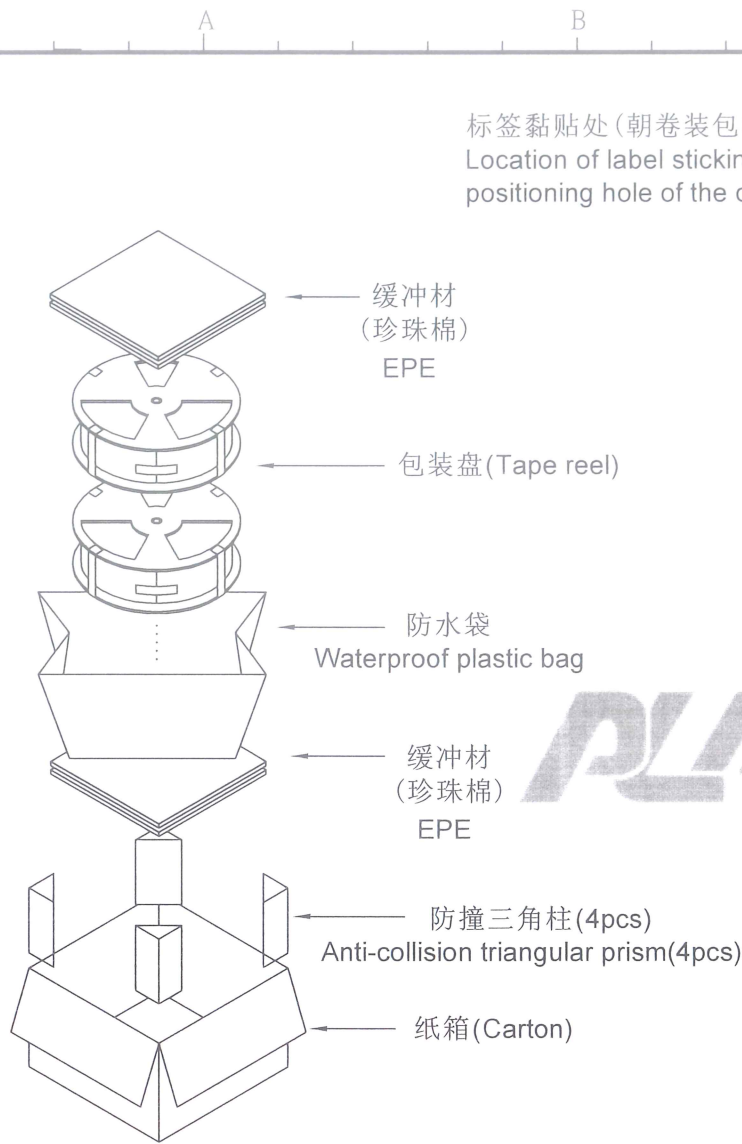
CUSTOMER DRAWING

REV.

3

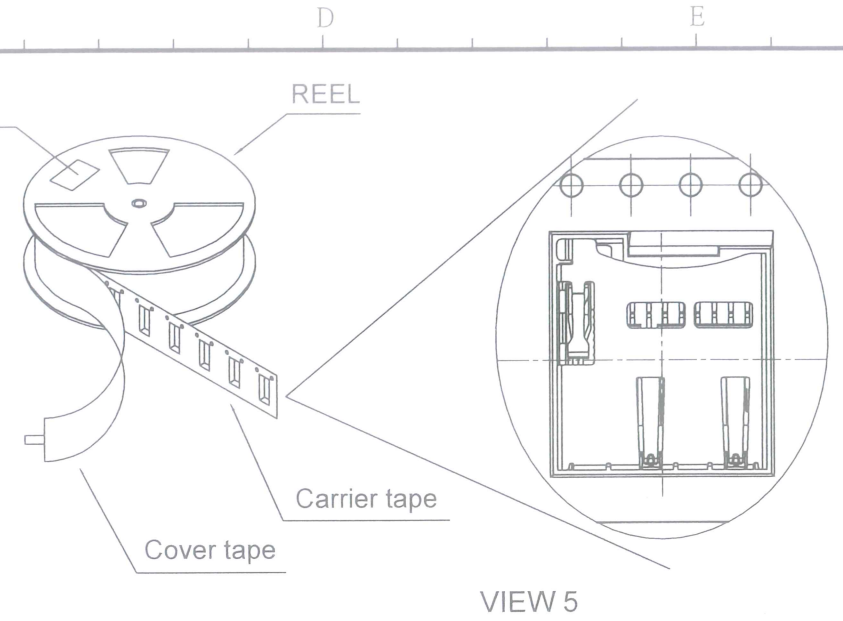
SHEET

2/3



VIEW 4

标签黏贴处 (朝卷装包材的小定位孔一侧)
Location of label sticking (label at small positioning hole of the carrier tape side)



VIEW 5

备注 (NOTES):

- 每卷包装数量及每箱装箱数量如下表格。
Packing Q'ty of each reel & carton as below table shown.
- 上胶带覆盖下包装带用自粘包装。
Use cover tape to cover and seal up.
- 每个纸箱放2个珍珠棉。
Every carton use 2pcs EPE.
- 将装满产品的卷盘放入纸箱并以胶带封口。
Put reels in the carton and use adhesive tape to seal up.

产品料号 (Product No.)	包装数量 (Packing Quantity)		
	PCS/REEL	REELS/CARTON	PCS/CARTON
HABAB001KK00	1000	7	7000

	TOLERANCE TABLE		SCALE 1:1	DRAWN 朱清平	DATE 2019/11/15	DWG. NO. 600-0000-1887	TITLE CUSTOMER DRAWING	REV. 3
	X. ± 0.30	X.° ± 3°	UNIT mm	CHECK 周国栋	DATE 2019/11/15			PARTS NO. (INTENDED USE) HABAB001KK00
	.X ± 0.25	.X° ± 2°	SIZE A4	APPROVE 朱宇辉	DATE 2019/11/15			
	.XX ± 0.20							